

# Evaluation Kit for AS5x47D

Availability: In Stock

General Descriptions

Documents

Shop Now

## General Description

The AS5x47D Evaluation Kit allows you an easy-to-use evaluation on all sensors of the AS5x47D family. This evaluation kit includes the USB I&P programmer, the evaluation software for the AS5x47D sensor family and 2 different adapter boards (AS5147 and AS5047D). In addition a magnet and magnet holder is provided.



Evaluation Kit for AS5x47D

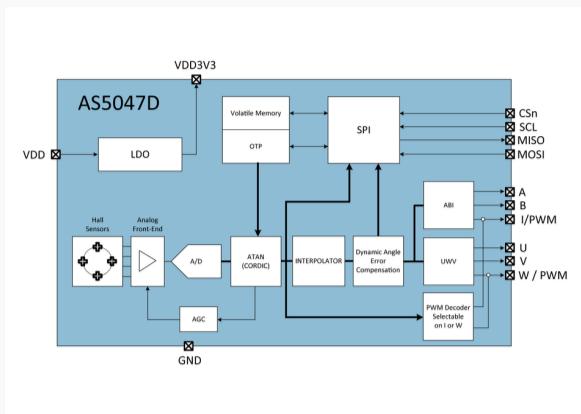
Shop Now

## Related Products

AS5047D High Speed Position

AS5147 Rotary Sensor

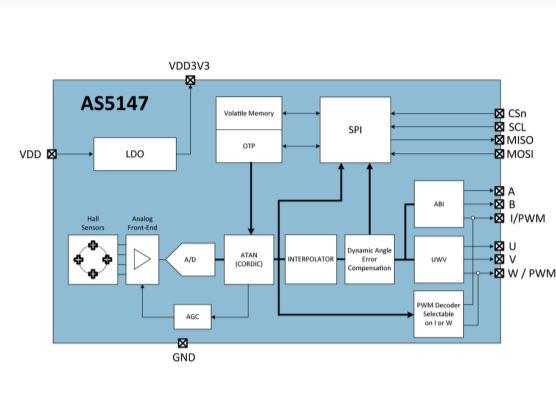
## Sensor AS5047D



The AS5047D is a high-resolution rotary position sensor for fast absolute angle

[View Details](#)

## AS5147



The AS5147 is a high-resolution rotary position sensor for fast absolute angle

[View Details](#)

## Related Boards

### Production Programmer SD4Y SD4Y-PP



The SD4Y Programmer is an in-system programming tool which is applicable

[View Details](#)

### USB I&P Box for I2C/SPI USBI&PBox



The USB Interface & Programmer Box is an universal evaluation tool for

[View Details](#)

