

## Switched Disconnects and Enclosures

### 30A 600V AC Manual Motor Controllers, Three Pole

# HUBBELL

#### Features

- Thermoset body provides high resistance to electrical arc tracking
- Strong ON/OFF action with quick-make, slow break operation
- Optional Side Finger Guards for close wall applications and finger safe environments
- Four large silver alloy contacts per pole has excellent conductivity with maximum longevity
- Lubrication-free controller with continued ON/OFF cycling even in harsh, dust and high heat environments



#### Ordering Information

Description	UPC Number	Catalog Number
30A, three pole, single throw, AC manual motor controller, black nylon handle, side and back wired	783585680507	HBL7810

#### Listings

UL 508  
CSA-C22.2 No.14

#### Specifications

Toggle Type	Standard
Housing	Thermoset
Terminal Screw	Brass
Contacts	Silver Alloy

#### Performance

##### Electrical

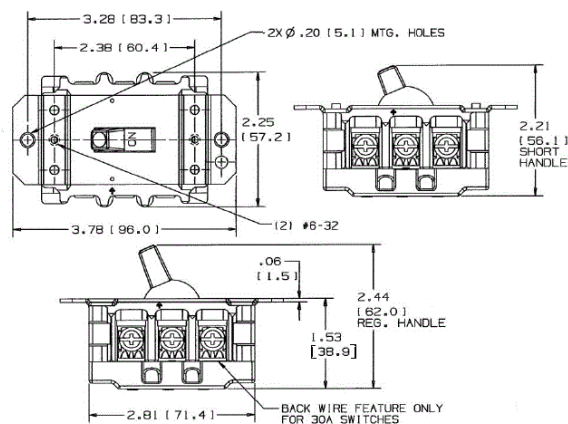
Dielectric Voltage	2,200V AC minimum for 1 minute
Electrical Life	Min. 6,000 Cycles at rated switch load
Max. Working Voltage	600V AC RMS
Short Circuit Current Ratings (SCCR): (Motor Disconnect)	60A max. when protected by J fuses

##### Mechanical

Mechanical Life	10,000 minimum cycles
Terminal Accommodations	#10 AWG Max.
Wire Type	Solid and stranded copper wire only

##### Environmental

Flammability	UL94HB/VO
Operating Temperature	Max. Continuous: 75°C; Min. Continuous: -40°C without impact



#### Complementary Products

Finger Guards	HBLFG30
---------------	---------

#### Online Resources

Customer Use Drawing  
eCatalog  
Installation Instructions

Dimensions in Inches (mm)

Hubbell Wiring Device-Kellems • Hubbell Incorporated (Delaware) • 40 Waterview Drive • Shelton, CT 06484

Phone (800) 288-6000 • Fax (800) 255-1031 • Specifications subject to change without notice.

