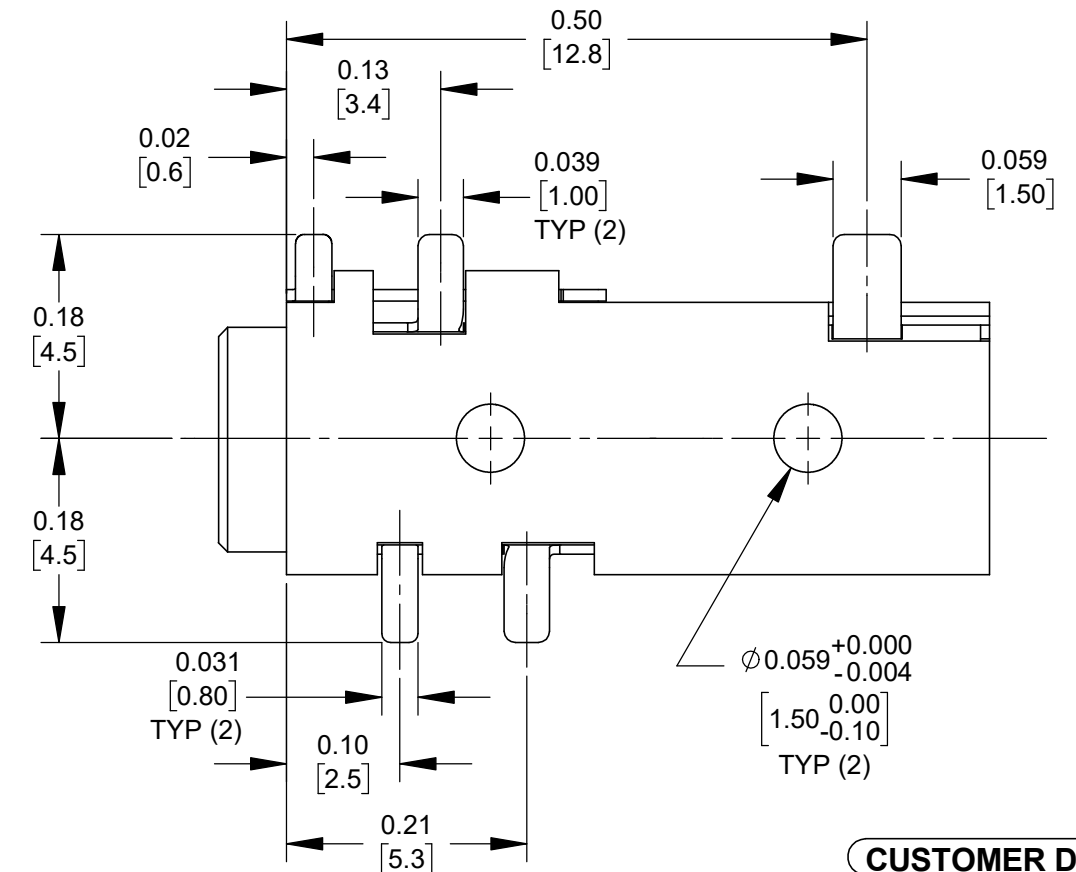


**SCHMATIC**



**CUSTOMER DRAWING**

**NOTES:**

1. MATERIALS:  
HOUSING - THERMOPLASTIC, BLACK  
TERMINALS - COPPER ALLOY, GOLD PLATED
2. SUPPLIED ON TAPE AND REEL, SEE SHEET 2.
3. THIS PRODUCT IS RoHS COMPLIANT.

**PCB LAYOUT  
COMPONENT SIDE**

REV	ECO NUMBER	DATE	BY	APVD
A	28481	03/03/22	PC	TJK
REVISIONS				

**UNLESS OTHERWISE SPECIFIED**

1. ALL DIMENSIONS IN INCHES [mm]
- TWO PLACE DECIMALS ±0.02 [0.5]
- THREE PLACE DECIMALS ±0.005 [0.13]

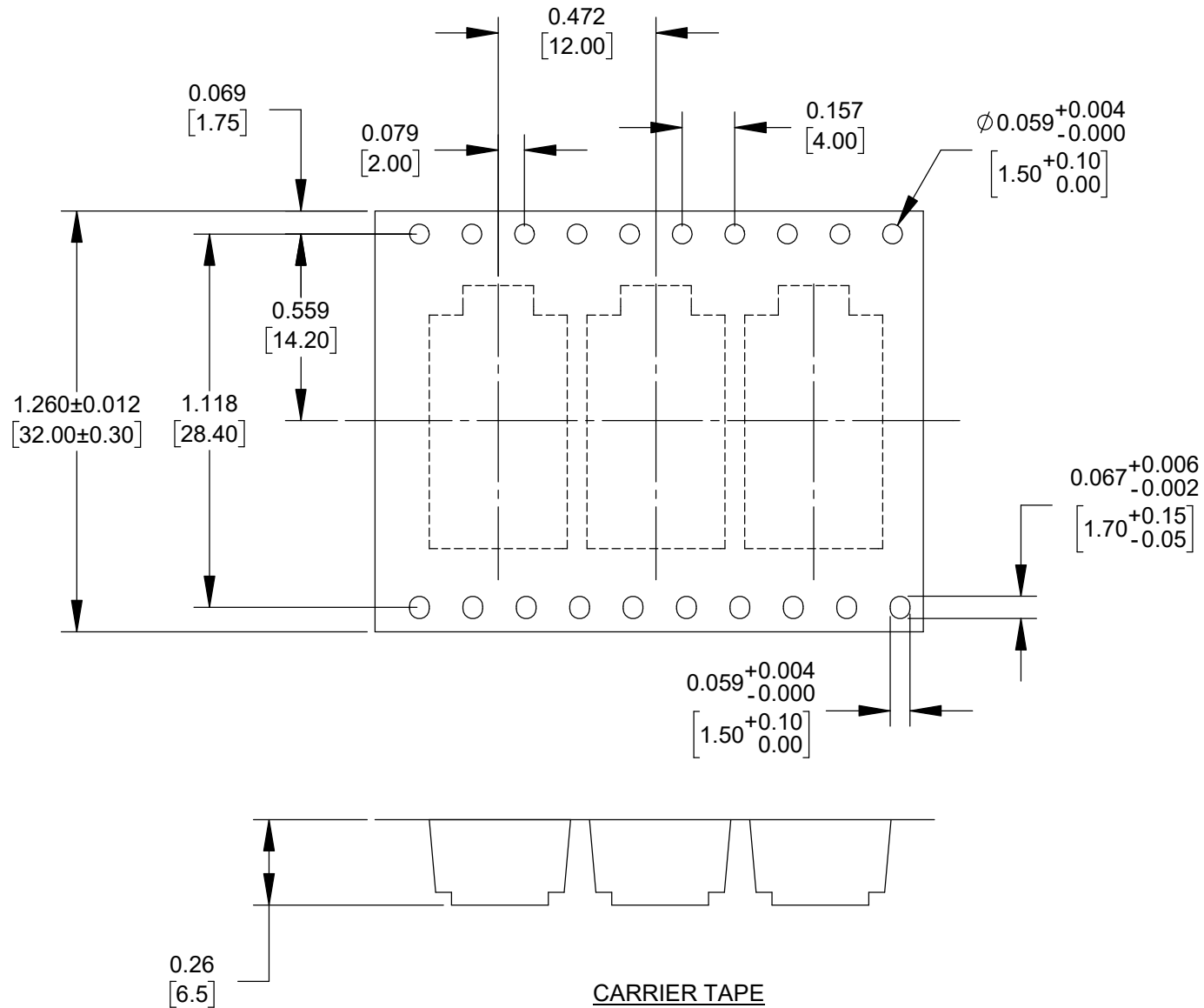
**DO NOT SCALE DRAWING**

THIS DRAWING DESCRIBES A DESIGN CONSIDERED PROPRIETARY IN NATURE, DEVELOPED AND MANUFACTURED BY SWITCHCRAFT INC. AND IS RELEASED ON A CONFIDENTIAL BASIS FOR IDENTIFICATION PURPOSES ONLY.							
SIZE	WIDTH	MULT	LBS/M	TEMPER			
FINISH SPEC No.				MATERIAL SPEC No.			
FIRST USED ON			SCALE 6:1				
DATE DRAWN	BY	CHKD	APVD				
10/27/21	TS	TS	TJK				
			10/27/21	3/1/22			
NAME 3.5MM JACK, 4 CONDUCTOR, SURFACE MOUNT, RoHS				PART No. 35RASMT7CHNTRX		REV A	

**SolidWorks CAD File**

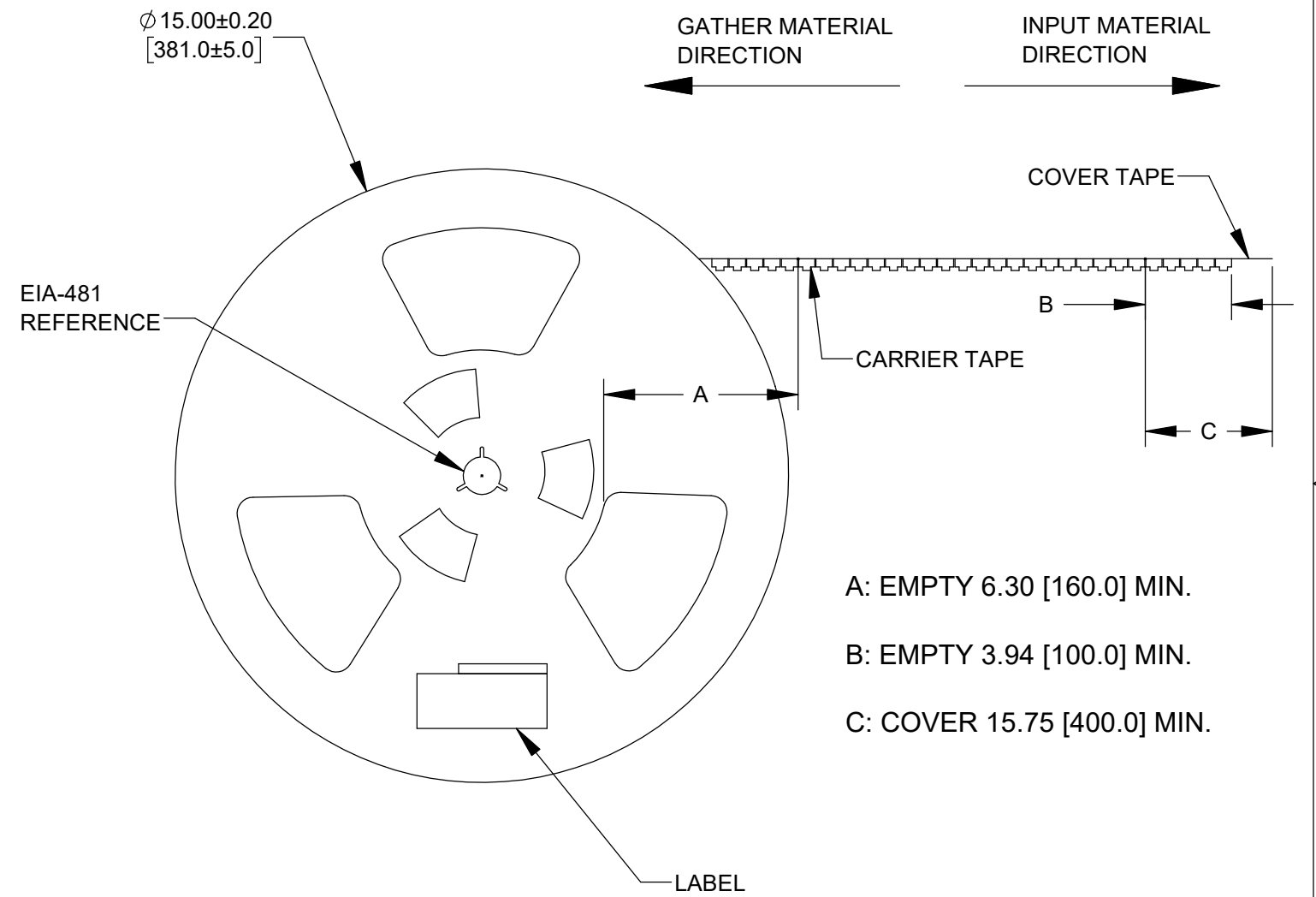
**A: CARRIER SIZE**

1. DETAIL SIZE REFERENCES: EIA-481
2. SPECIFICATIONS: 32 MM X 12 MM
3. COVER TAPE: SPECIFICATION ATTACHED (CONDUCTIVE)



**B: REEL SIZE**

1. QUANTITY: 1000 PCS/REEL
2. MATERIAL: THERMOPLASTIC



- A: EMPTY 6.30 [160.0] MIN.
- B: EMPTY 3.94 [100.0] MIN.
- C: COVER 15.75 [400.0] MIN.

**CUSTOMER DRAWING**

SCALE 2:1	Switchcraft®	
DATE DRAWN 10/27/21		
DRAWN BY TS	PART No. 35RASMT7CHNTRX	REV A