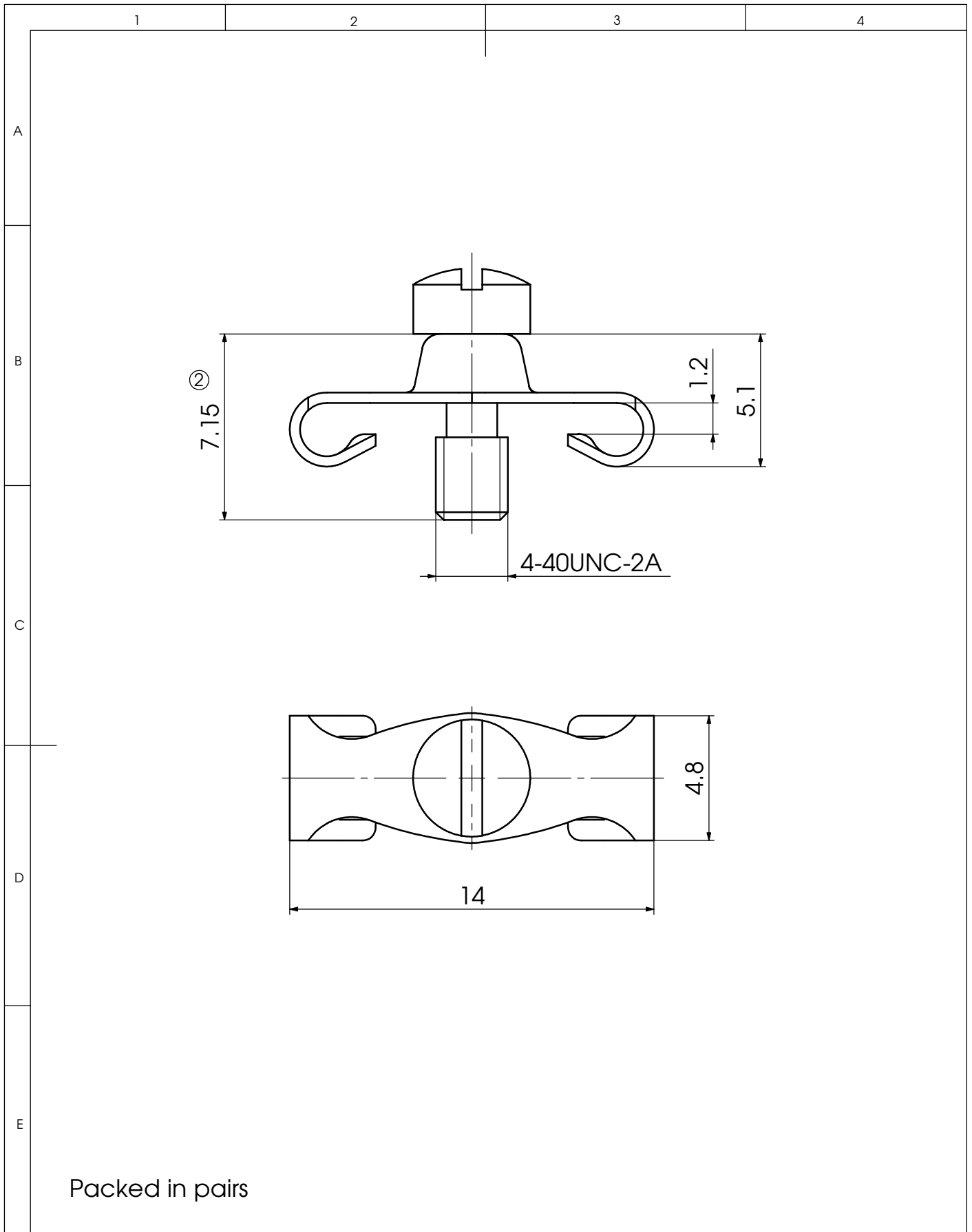


COMMENT:
 ALL RIGHTS ARE RESERVED BY US FOR THIS DRAWING. WITHOUT OUR PRIOR CONSENT,
 IT MAY NEITHER BE DUPLICATED NOR MADE AVAILABLE TO A THIRD PARTY.
 AND IT ALSO MAY NOT BE IMPROPERLY USED BY THE RECEIVER, OR A THIRD PARTY.



Packed in pairs

Schraubverriegelung			F-SCHV-2		Steel		zinc plated		
<i>Type Description</i>			<i>Part No.</i>		<i>Material</i>		<i>Surface plating / Colour / Class</i>		
				Measurement without tolerance occ. to ISO 2768-m	SCALE	TITLE Screw Lock			
				DATE	5:1				
			DRAWN	22-07-2004	NAME				
			CHECKED	22-03-2006	skusber				
2	22-03-2006	21805	 www.fctgroup.com			DWG.NO.		F-SCHV-2	REV.
1						REPLACEMENT FOR:			2
REV.	DATE	CH.-NO.	ORIGINAL: DIN A4-DRAWING AS A FILE			REPLACEMENT FOR:		PAGES	1