

Ethernet Cable

RJ45 Plastic C3 Shielded 90° Screw Plug to RJ45 Plug

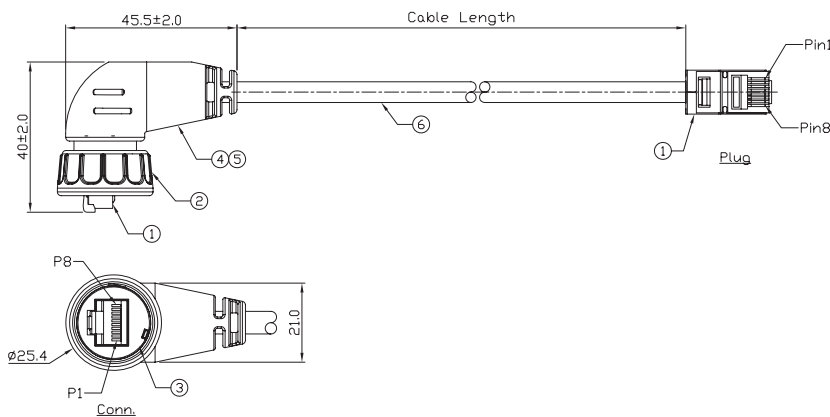
multicomp PRO

**RoHS
Compliant**

Specifications

Current Rating	: 1.5A
AWG Gauge	: 24 AWG to 26 AWG
Temperature Range	: -40°C to +80°C
IP Rating	: IP67

Diagram



Item	Part Name	Material / Finish	Qty
1	RJ45 Plug	Housing: Thermoplastic, Colour: Clean	2
		Contacts: Copper Alloy, Finish: Au Plated	
		Shell: Cold Roll Steel, Finish: Ni Plated	
2	Screw Nut	Thermoplastic; Colour: Black	1
3	Rubber Pad	Silicone; Colour: Black	
4	Inner Mold	Cat6 26AWG×4P+AL/My+D; Colour: Black, OD: 6mm	
5	Over Mold	PVC; Colour: Black	
6	Cable	Thermoplastic; Colour: Black or White	

Part Number Table

Description	Cable Length	Part Number
Ethernet Cable, Cat6, RJ45 Plastic C3 Shielded 90° Screw Plug to RJ45 Plug	2m	MP009798

Dimensions : Millimetres

Important Notice : This data sheet and its contents (the "Information") belong to the members of the AVNET group of companies (the "Group") or are licensed to it. No licence is granted for the use of it other than for information purposes in connection with the products to which it relates. No licence of any intellectual property rights is granted. The Information is subject to change without notice and replaces all data sheets previously supplied. The Information supplied is believed to be accurate but the Group assumes no responsibility for its accuracy or completeness, any error in or omission from it or for any use made of it. Users of this data sheet should check for themselves the Information and the suitability of the products for their purpose and not make any assumptions based on information included or omitted. Liability for loss or damage resulting from any reliance on the Information or use of it (including liability resulting from negligence or where the Group was aware of the possibility of such loss or damage arising) is excluded. This will not operate to limit or restrict the Group's liability for death or personal injury resulting from its negligence. Multicomp Pro is the registered trademark of Premier Farnell Limited 2019.

Newark.com/multicomp-pro
Farnell.com/multicomp-pro
sg.element14.com/b/multicomp-pro

multicomp PRO