

FIELDPOINT™ BUS EXTENDER CABLE

If you have space constraints, you can use the FieldPoint Bus Extender Cable to mount a FieldPoint bank in two or three rows.



Caution You should not use more than two FieldPoint Bus Extender Cables per FieldPoint bank.



Caution Disconnect power from the network module and terminal bases before you install the Bus Extender Cable. Do not disconnect a Bus Extender Cable while the FieldPoint bank is powered on.

Choosing a Configuration

Before you begin installing the Bus Extender Cable, choose a configuration for the FieldPoint bank. With the Bus Extender Cable, you can mount rows of modules with terminal blocks together (bottom-to-bottom) or with terminal blocks apart (top-to-top). Mounting modules with terminal blocks together lets you use one wiring conduit for two rows of modules and is the recommended method due to cooling considerations. You should install higher-powered I/O modules on top in this configuration to further help with cooling. Figure 1 shows configuration examples with two rows. You can use up to three rows.

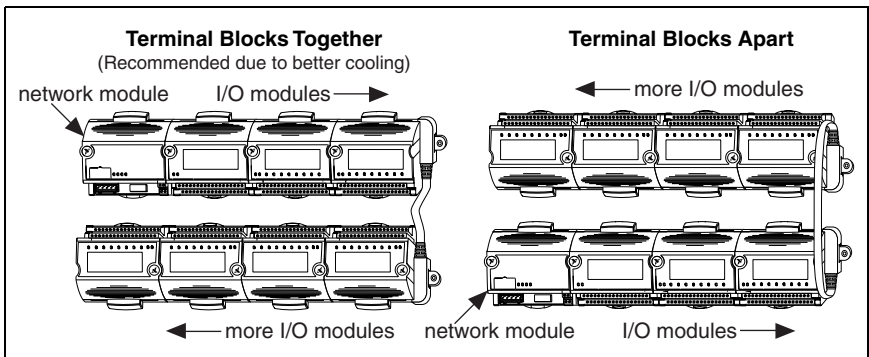


Figure 1. FieldPoint Bank Configuration Options

FieldPoint™, National Instruments™, NI™, and ni.com™ are trademarks of National Instruments Corporation. Product and company names mentioned herein are trademarks or trade names of their respective companies. For patents covering National Instruments products, refer to the appropriate location: **Help»Patents** in your software, the `patents.txt` file on your CD, or `ni.com/patents`.

Figure 2 shows the dimensions for mounting the terminal bases with the terminal blocks together. Dimensions are given in inches [millimeters].

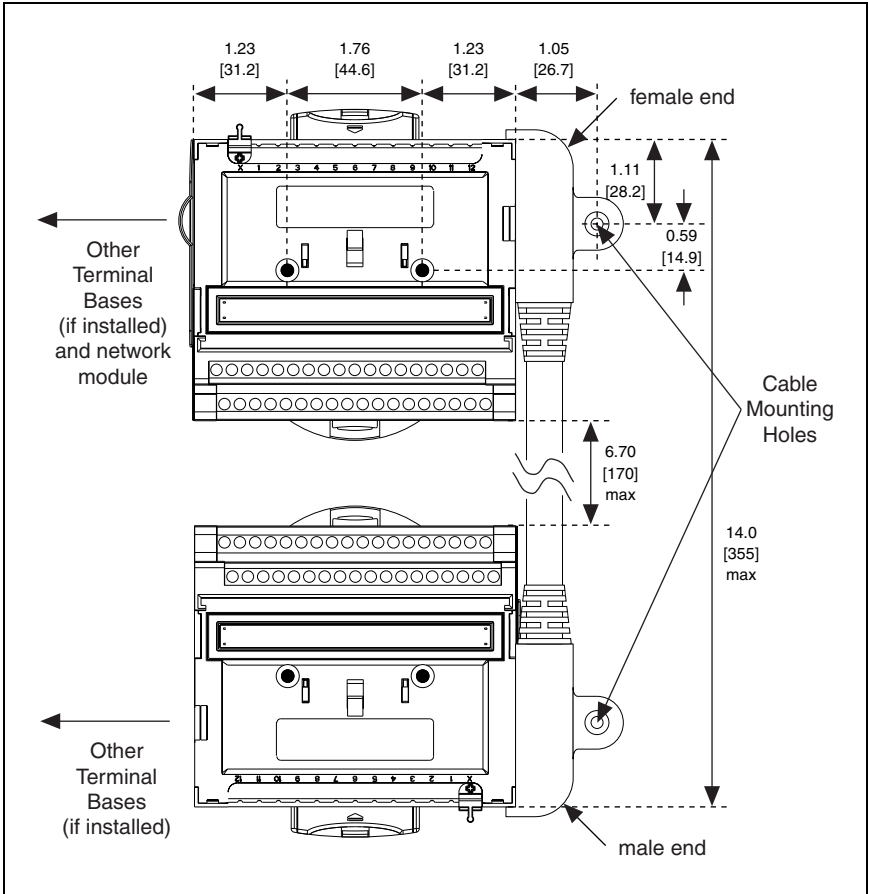


Figure 2. Mounting with Terminal Blocks Together

Figure 3 shows the dimensions for mounting the terminal bases with the terminal blocks apart. Dimensions are given in inches [millimeters].

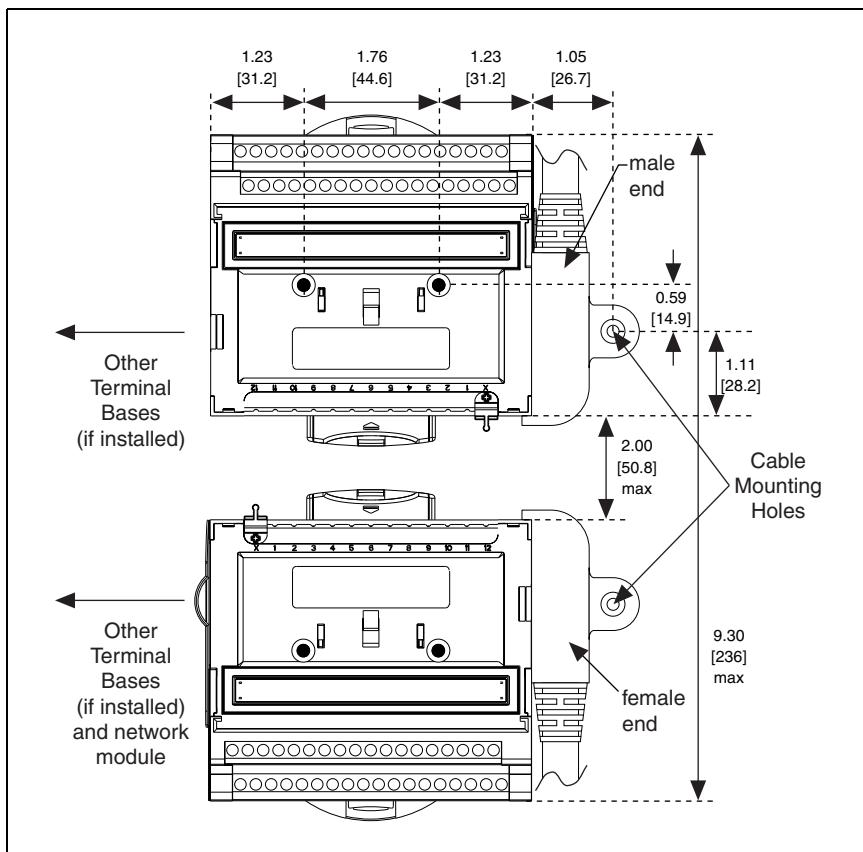


Figure 3. Mounting with Terminal Blocks Apart

Installing the Bus Extender Cable

You can install the FieldPoint bank on a DIN rail or on a panel. Installing the bank on a wall or a panel is the more secure installation option and may prevent accidental disconnection.

Installing the Bus Extender Cable on a DIN Rail

Follow these steps to install the Bus Extender Cable on a DIN rail:

1. Install the FieldPoint bank on the DIN rail. Refer to the Quick Start Guide for the network module you are using.
2. Make sure power is disconnected from the FieldPoint bank.

3. Plug in the Bus Extender Cable. The female end of the cable plugs into the terminal base closer to the network module. The male end of the cable plugs into the terminal base farther from the network module. The cables are keyed to prevent improper installation.

If you have the optional DIN rail mounting kit, part number 777609-02, follow steps 4–5. If you do not have the optional DIN rail mounting kit, go to step 6.

4. Place the mounting bracket on the DIN rail and slide it under the mounting tab of the Bus Extender Cable.
5. Drive the long screw that came with the DIN rail mounting kit through the mounting tab of the Bus Extender Cable and the mounting bracket. Drive the short screw that came with the DIN rail mounting kit through the other end of the mounting bracket, and use the split lock washer. The maximum tightening torque for each screw is 0.95 N-m or 8.4 lb-in.

The Bus Extender Cable installed with the mounting bracket should appear as shown in Figure 4.

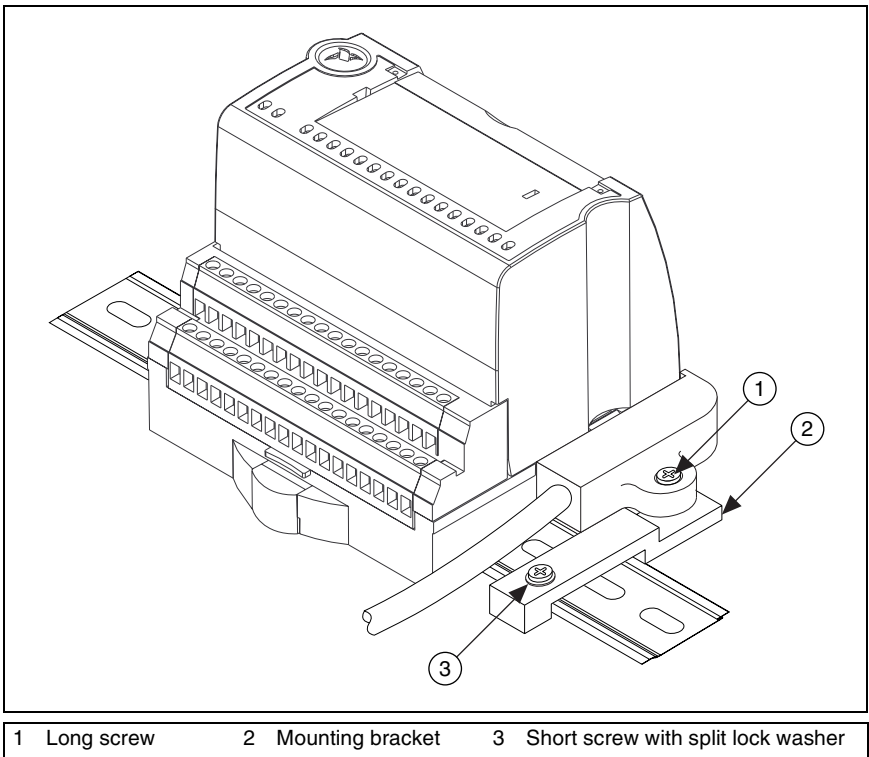
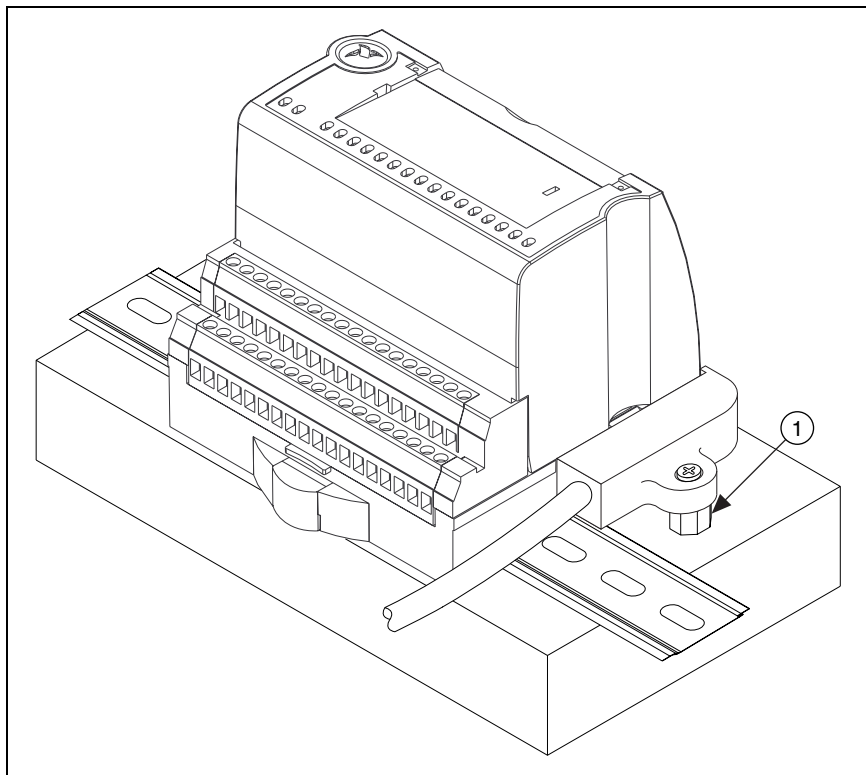


Figure 4. Installing the Bus Extender Cable on a DIN Rail with a Mounting Bracket

6. If you are not using a mounting bracket, and you intend to mount the DIN rail to a panel, use the long metal spacer that came with the Bus Extender Cable. Drill pilot holes for the cable mounting hole according to the dimensions in Figure 2 or 3. Then place the long spacer under the mounting tab of the Bus Extender Cable and drive a screw through them as shown in Figure 5.



1 Long spacer

Figure 5. Installing the Bus Extender Cable on a DIN Rail with a Metal Spacer

Installing the Bus Extender Cable on a Panel

Follow these steps to install the Bus Extender Cable on a panel:

1. Drill pilot holes into the panel according to the dimensions in Figure 2 or 3.
2. Install the FieldPoint bank on the panel. Refer to the Quick Start Guide for the network module you are using.
3. Make sure power is disconnected from the FieldPoint bank.
4. Plug in the Bus Extender Cable. The female end of the cable plugs into the terminal base closer to the network module. The male end of the cable plugs into the terminal base farther from the network module. The cables are keyed to prevent improper installation.

5. Place the short spacer under the mounting tab of the Bus Extender Cable and drive a screw through them into the pilot holes you drilled on the panel.

The Bus Extender Cable installed on a panel should appear as shown in Figure 6.

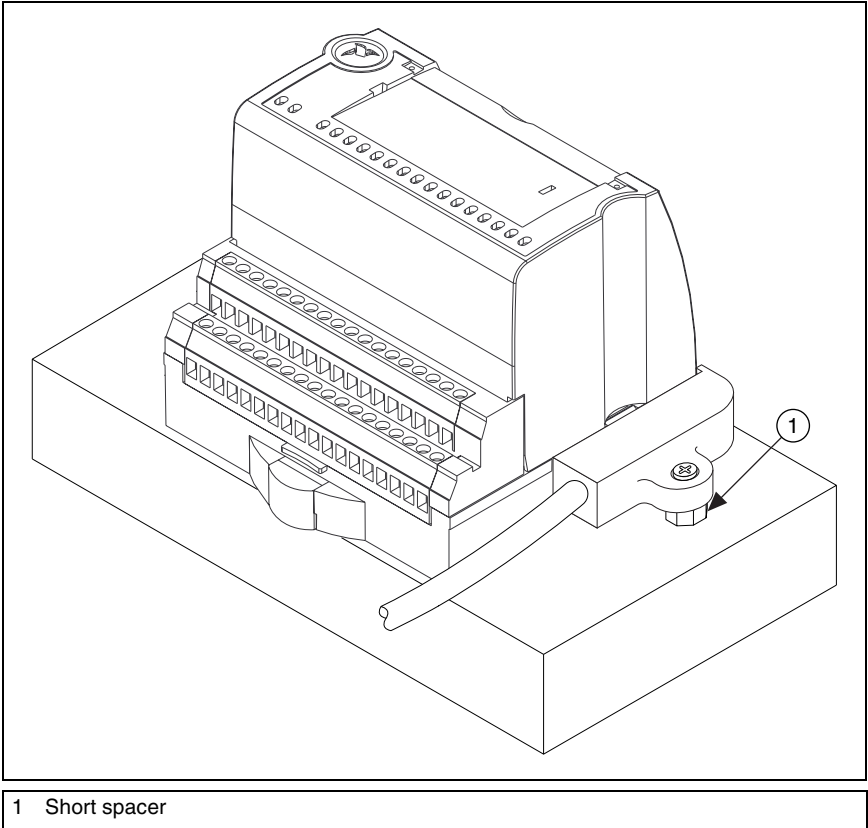


Figure 6. Installing the Bus Extender Cable on a Panel

Powering Up the FieldPoint Bank

You can now connect power to the FieldPoint bank. Remember to disconnect power first, if you need to remove the Bus Extender Cable at a later time.