

INSTALLATION GUIDE

PXI 18-Slot Front Panel Protector

To attach the front panel protector to an 18-slot PXI chassis, complete the following steps.

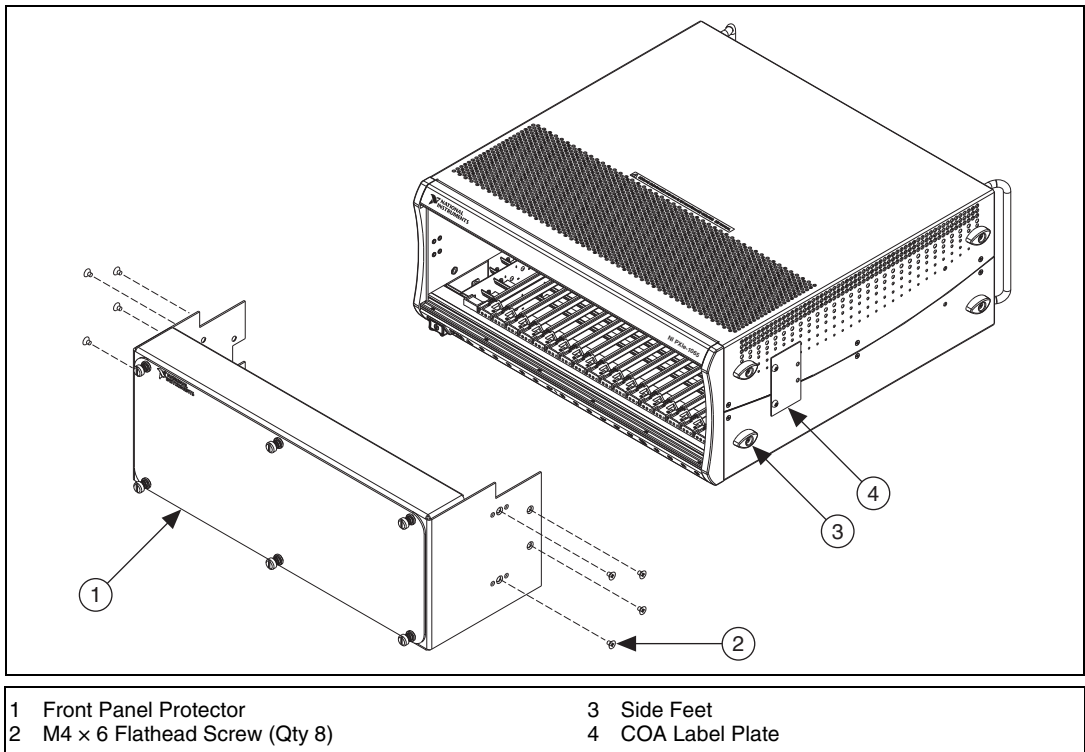


Figure 1. Installing the Front Panel Protector

1. Remove the side feet and COA label plate (as required) from the PXI chassis.
2. Install the front panel protector using the M4 x 6 flathead screws supplied.



Note If you use the chassis with the front panel protector installed, you must extend the chassis bottom feet.

National Instruments, NI, ni.com, and LabVIEW are trademarks of National Instruments Corporation. Refer to the *Terms of Use* section on ni.com/legal for more information about National Instruments trademarks. Other product and company names mentioned herein are trademarks or trade names of their respective companies. For patents covering National Instruments products/technology, refer to the appropriate location: **Help»Patents** in your software, the `patents.txt` file on your media, or the *National Instruments Patent Notice* at ni.com/patents.