

---

# DAQ for PXI/PXI Express

---

2022-07-06




# Contents

Getting Started Guide.....	3
Unpacking the Kit.....	3
Installing the Software.....	3
Installing the Module.....	4
Configuring the Device in NI MAX.....	6
Programming.....	7
Where to Go Next.....	7
Examples.....	8
Related Documentation and Assistance.....	8
Worldwide Support and Services.....	8


# Getting Started Guide


This document provides basic installation instructions for NI PXI and PXI Express DAQ modules. Refer to the documentation specific to your DAQ module for more information.

## Unpacking the Kit

 **Notice** To prevent electrostatic discharge (ESD) from damaging the device, ground yourself using a grounding strap or by holding a grounded object, such as your computer chassis.

1. Touch the antistatic package to a metal part of the computer chassis.
2. Remove the device from the package and inspect the device for loose components or any other sign of damage.

 **Notice** Never touch the exposed pins of connectors.

 **Note** Do not install a device if it appears damaged in any way.

3. Unpack any other items and documentation from the kit.

Store the device in the antistatic package when the device is not in use.

## Installing the Software

Back up any applications before upgrading your software. You must be an Administrator to install NI software on your computer. Refer to the **NI-DAQmx Readme** on the software media for supported application software and versions.

1. If applicable, install an application development environment (ADE), such as LabVIEW, Microsoft Visual Studio®, or LabWindows™/CVI™.

2. Install the NI-DAQmx driver software.

## Installing the Module

1. (Optional) If you are using a MXI-Express connected chassis, turn off your computer.



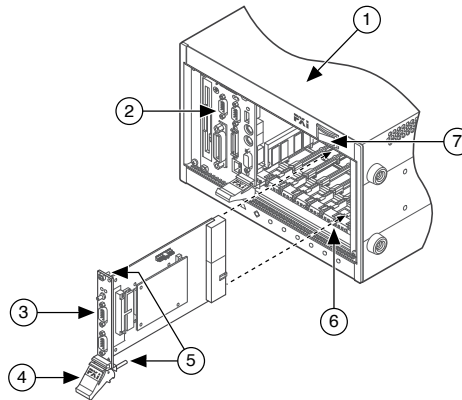
**Note** For more information about using MXI-Express chassis, refer to your chassis manual.

2. Power off and unplug the PXI/PXI Express chassis. Refer to your chassis manual to install or configure the chassis.



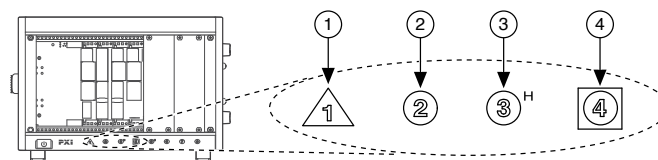
**Caution** Refer to the **Read Me First: Safety and Electromagnetic Compatibility** with your PXI/PXI Express chassis or device before removing covers or connecting or disconnecting signal wires.

Figure 1. Installing a PXI/PXI Express Module in the Chassis



1. PXI/PXI Express Chassis
  2. PXI/PXI Express Chassis or MXI-Express Controller
  3. PXI/PXI Express Module
  4. Injector/Ejector Handle
  5. Front-Panel Mounting Screws
  6. Module Guides
  7. Power Switch
3. Identify a supported PXI/PXI Express slot in the chassis. Some modules have PXI/PXI Express slot requirements; for information, refer to the module documentation.

Figure 2. Symbols for PXI Express/PXI Express Hybrid/PXI Slots



1. PXI Express System Controller Slot
2. PXI Peripheral Slot
3. PXI Express Hybrid Peripheral Slot
4. PXI Express System Timing Slot

If you are using a PXI Express chassis, you can place PXI modules in the PXI slots. If a PXI module is hybrid slot compatible, you can use the PXI Express

Hybrid slots. PXI Express modules can be placed only in PXI Express slots and PXI Express Hybrid slots. Refer to the chassis documentation for details.

4. Remove the filler panel of an unused PXI/PXI Express slot.
5. Touch any metal part of the chassis to discharge static electricity.
6. Ensure that the PXI/PXI Express module injector/ejector handle is not latched and swings freely.
7. Place the PXI/PXI Express module edges into the module guides at the top and bottom of the chassis.
8. Slide the module into the PXI/PXI Express slot to the rear of the chassis.
9. When you begin to feel resistance, pull up on the injector/ejector handle to latch the device.
10. Secure the module front panel to the chassis using the front-panel mounting screws.
11. Plug in and power on your PXI/PXI Express chassis.
12. (Optional) If you are using a MXI-Express connected chassis, turn on your computer.
13. If applicable, install accessories and/or terminal blocks as described in the installation guides.
14. Attach sensors and signal lines to the device, terminal block, or accessory terminals. Refer to the documentation for your DAQ device or accessory for terminal/pinout information.

## Configuring the Device in NI MAX

Use NI MAX, installed automatically with NI-DAQmx, to configure your NI hardware.

1. Launch NI MAX.
2. In the Configuration pane, double-click **Devices and Interfaces** to see the list of installed devices. The module is nested under the chassis.  
If you do not see your device listed, press <F5> to refresh the list of installed devices.
3. Right-click the device and select **Self-Test** to perform a basic verification of hardware resources.

4. (Optional) Right-click the device and select Configure to add accessory information and configure the device.
5. Right-click the device and select Test Panels to test device functionality. Click Start to test the device functions, and then Stop and Close to exit the test panel. If the test panel displays an error message, refer to [ni.com/support](http://ni.com/support).
6. If your device supports Self-Calibration, right-click the device and select Self-Calibrate.  
A window reports the status of the calibration. Click Finish. For more information about Self-Calibration, refer to the device user manual.



**Note** Remove all sensors and accessories from your device before Self-Calibrating.

## Programming

Complete the following steps to configure a measurement using the DAQ Assistant from NI MAX.

1. In NI MAX, right-click Data Neighborhood and select Create New to open the DAQ Assistant.
2. Select NI-DAQmx Task and click Next.
3. Select Acquire Signals or Generate Signals.
4. Select the I/O type, such as analog input, and the measurement type, such as voltage.
5. Select the physical channel(s) to use and click Next.
6. Name the task and click Finish.
7. Configure individual channel settings. Each physical channel you assign to a task receives a virtual channel name. Click Details for physical channel information. Configure the timing and triggering for your task.
8. Click Run.

## Where to Go Next

Refer to the **NI-DAQmx Help** for additional information about using your DAQ product with the NI-DAQmx driver. To access the **NI-DAQmx Help**, launch NI MAX and go to Help » Help Topics » NI-DAQmx » NI-DAQmx Help.

## Examples

NI-DAQmx includes example programs to help you get started developing an application. Modify example code and save it in an application, or use examples to develop a new application or add example code to an existing application.

To locate LabVIEW, LabWindows/CVI, Measurement Studio, Visual Basic, and ANSI C examples, go to [ni.com/info](http://ni.com/info) and enter the Info Code daqmxexp. For additional examples, refer to [ni.com/examples](http://ni.com/examples).

## Related Documentation and Assistance

Find the documentation for your DAQ device or accessory—including safety, environmental, and regulatory information documents—by going to [ni.com/manuals](http://ni.com/manuals) and entering the model number.

Find device terminal/pinout locations in MAX by right-clicking the device name in the Configuration pane and selecting Device Pinouts.

For software installation problems, go to [ni.com/support/daqmx](http://ni.com/support/daqmx).

For hardware troubleshooting, go to [ni.com/support](http://ni.com/support) and enter your device name, or go to [ni.com/kb](http://ni.com/kb).

Return your NI hardware for repair or device calibration by going to [ni.com/info](http://ni.com/info) and entering rdsenn, which starts the Return Merchandise Authorization (RMA) process.

## Worldwide Support and Services

The NI website is your complete resource for technical support. At [ni.com/support](http://ni.com/support), you have access to everything from troubleshooting and application development self-help resources to email and phone assistance from NI Application Engineers.

Visit [ni.com/services](http://ni.com/services) for information about the services NI offers.



Visit [ni.com/register](https://ni.com/register) to register your NI product. Product registration facilitates technical support and ensures that you receive important information updates from NI.

NI corporate headquarters is located at 11500 North Mopac Expressway, Austin, Texas, 78759-3504, USA. For up-to-date contact information for your location, visit [ni.com/contact](https://ni.com/contact).