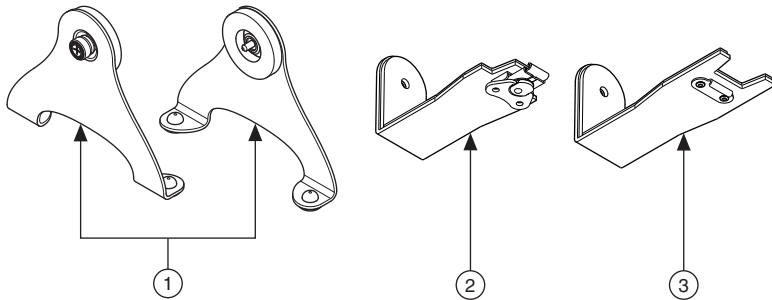


USER GUIDE

NI VirtualBench™ Desktop Mounting Kit

The NI VirtualBench Desktop Mounting Kit (NI part number 783569-01) is an accessory you can use to mount your VirtualBench on a desktop and pivot for easy access to your instruments. Figure 1 shows the kit components.

Figure 1. Desktop Mounting Kit Contents



- 1 End Brackets with Captive Screw (2)
2 Male Bottom Bracket With Latch and Key

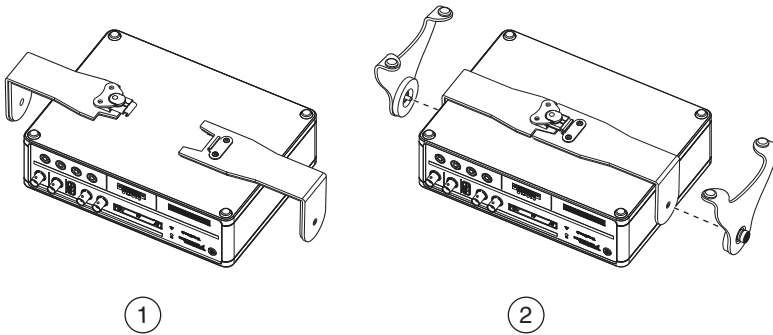
- 3 Female Bottom Bracket With Clasp

Installing the Desktop Mounting Kit

Complete the following steps to install the NI VirtualBench Desktop Mounting Kit on your VirtualBench. Disconnect power from the VirtualBench before installing the mounting kit.

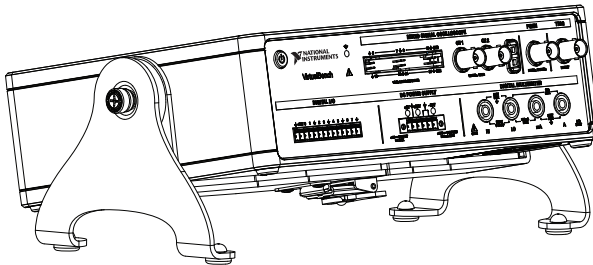
1. With the VirtualBench positioned bottom up on a soft surface, position the female bottom bracket horizontally across the bottom of the hardware.
2. Position the male bottom bracket so that it joins the female bottom bracket, as shown in Figure 2.
3. Applying gentle pressure, close the latch on the male bottom bracket over the clasp on the female bottom bracket.
4. Secure the two parts together by turning the key on the male bottom bracket and folding it flat against the bracket.

Figure 2. Installing the Brackets



- 1 Aligning the Two Bottom Brackets
 - 2 Installing the Captive Screws of the End Brackets into the Holes of the Bottom Brackets
-
5. Align the captive screws on the end brackets with the holes of the bottom brackets and lightly tighten the screws, as shown in Figure 2.
 6. Turn the VirtualBench face up and use your fingers and/or a #2 screwdriver to adjust the angle of the VirtualBench as needed.

Figure 3. VirtualBench and the Desktop Mounting Kit



Note The desktop mounting kit will lift your VirtualBench off the surface of the table by approximately 38 mm (1.5 in.). Total height will vary depending on the angle that you set the feet. Allow for at least 23 mm (0.9 in.) on each side of VirtualBench to accommodate for the end brackets.

Refer to the *NI Trademarks and Logo Guidelines* at ni.com/trademarks for more information on National Instruments trademarks. Other product and company names mentioned herein are trademarks or trade names of their respective companies. For patents covering National Instruments products/technology, refer to the appropriate location: **Help > Patents** in your software, the `patents.txt` file on your media, or the *National Instruments Patents Notice* at ni.com/patents. You can find information about end-user license agreements (EULAs) and third-party legal notices in the readme file for your NI product. Refer to the *Export Compliance Information* at ni.com/legal/export-compliance for the National Instruments global trade compliance policy and how to obtain relevant HTS codes, ECCNs, and other import/export data. NI MAKES NO EXPRESS OR IMPLIED WARRANTIES AS TO THE ACCURACY OF THE INFORMATION CONTAINED HEREIN AND SHALL NOT BE LIABLE FOR ANY ERRORS. U.S. Government Customers: The data contained in this manual was developed at private expense and is subject to the applicable limited rights and restricted data rights as set forth in FAR 52.227-14s, DFAR 252.227-7014, and DFAR 252.227-7015.

© 2014 National Instruments. All rights reserved.