

INSTALLATION GUIDE

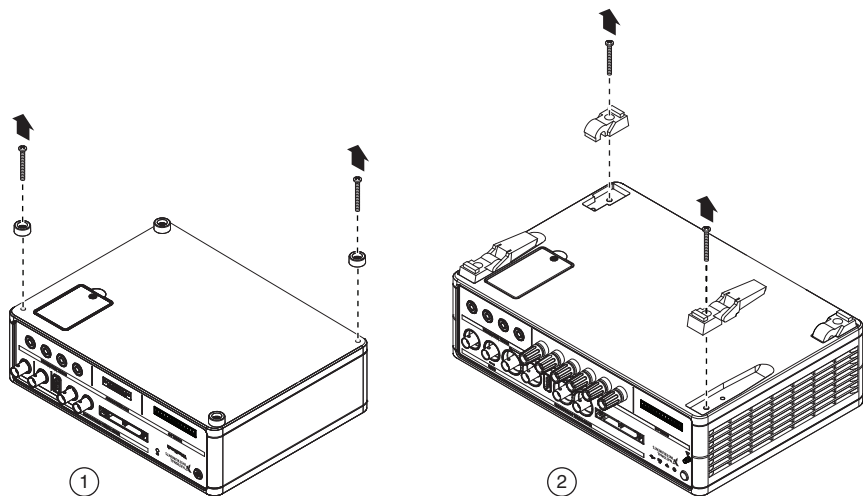
VirtualBench™ Rack Mount Kit

The National Instruments VirtualBench Rack Mount Kit (part number 785079-01) is an accessory you can use to mount your VirtualBench to a rack. The rack mount kit consists of a shelf, two 6-32 screws, and this guide.

Complete the following steps to install the rack mount kit on your VirtualBench. You need a #2 Phillips screwdriver to complete the installation.

1. Use the screwdriver to remove two feet from your VirtualBench. Depending on your VirtualBench, you must remove different feet. Figure 1 depicts the correct feet to remove for every VirtualBench model.

Figure 1. Removing Feet from VirtualBench

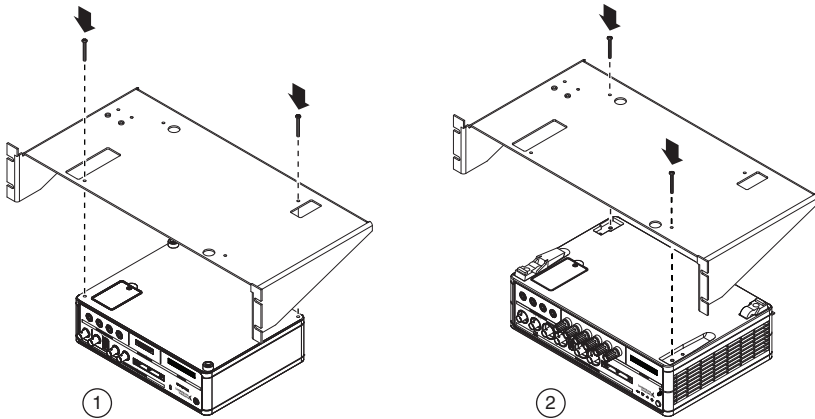


1 VirtualBench with Round Rubber Feet

2 VirtualBench with Plastic Flip Feet

2. Lay the shelf on the inverted VirtualBench, aligning the two remaining feet with the recesses of the shelf, as shown in Figure 2.
3. Use the screwdriver and the screws from the removed feet to attach VirtualBench to the shelf, screwing through the bottom of the shelf into the foot recess of the VirtualBench.

Figure 2. Attaching the Shelf to VirtualBench

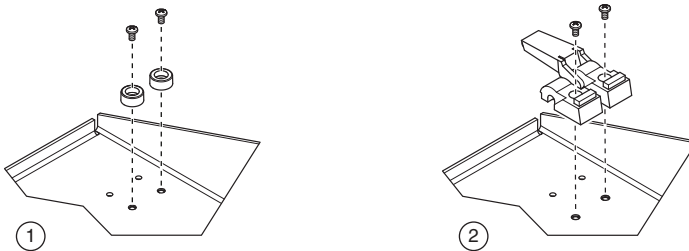


1 VirtualBench with Round Rubber Feet

2 VirtualBench with Plastic Flip Feet

4. Store the removed feet on the shelf with the provided screws, as shown in Figure 3.

Figure 3. Storing Your Feet



1 Round Rubber Feet

2 Plastic Flip Feet

5. Attach the shelf to your rack. Larger VirtualBenches, such as the VB-8034, require an extra rack unit (1U) above the mounting flanges.



Note Rack environments often can exceed the VirtualBench rated ambient temperature. Monitor the inlet air temperature of VirtualBench in the deployed environment to ensure that the maximum ambient operating temperature, listed in your VirtualBench specifications document, is not breached.

Refer to the *NI Trademarks and Logo Guidelines* at ni.com/trademarks for more information on NI trademarks. Other product and company names mentioned herein are trademarks or trade names of their respective companies. For patents covering NI products/technology, refer to the appropriate location: **Help»Patents** in your software, the `patents.txt` file on your media, or the *National Instruments Patents Notice* at ni.com/patents. You can find information about end-user license agreements (EULAs) and third-party legal notices in the `readme` file for your NI product. Refer to the *Export Compliance Information* at ni.com/legal/export-compliance for the NI global trade compliance policy and how to obtain relevant HTS codes, ECCNs, and other import/export data. NI MAKES NO EXPRESS OR IMPLIED WARRANTIES AS TO THE ACCURACY OF THE INFORMATION CONTAINED HEREIN AND SHALL NOT BE LIABLE FOR ANY ERRORS. U.S. Government Customers: The data contained in this manual was developed at private expense and is subject to the applicable limited rights and restricted data rights as set forth in FAR 52.227-14, DFAR 252.227-7014, and DFAR 252.227-7015.

© 2016 National Instruments. All rights reserved.