



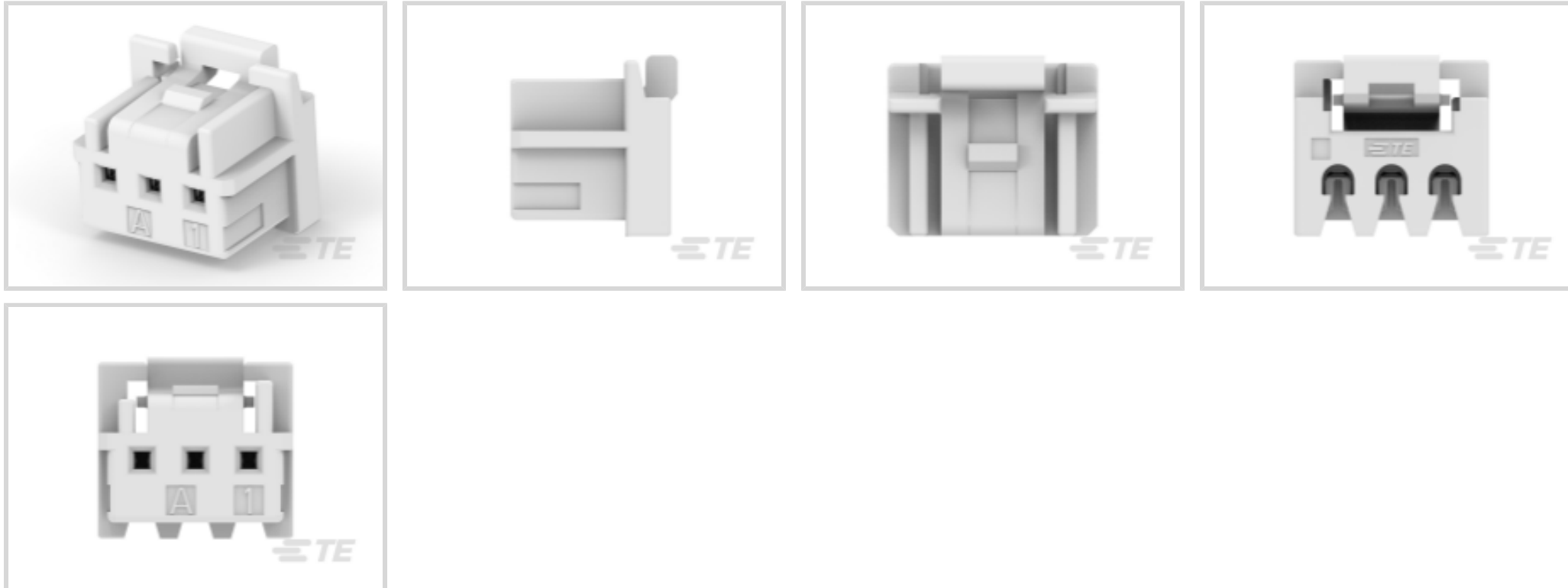
GRACE INERTIA 2.0

TE Internal #: 1-2232979-3

Standard Rectangular Connectors, Connector Assembly, Plug, Mating Alignment, Keyed Mating Alignment Type, Mating Retention, GRACE INERTIA 2.0

[View on TE.com >](#)

Connectors > Rectangular Connectors > Standard Rectangular Connectors



Connector Product Type: **Connector Assembly**

Connector & Housing Type: **Plug**

Mating Alignment: **With**

Mating Alignment Type: **Keyed**

Mating Retention: **With**

Features

Product Type Features

Glow Wire Rating	Glow Wire
Connector Product Type	Connector Assembly
Connector & Housing Type	Plug
Connector System	Wire-to-Board
Insertion Force Type	Normal
Sealable	No
Connector & Contact Terminates To	Wire & Cable

Configuration Features

Keying	A
PCB Mount Orientation	Vertical
Number of Positions	3
Number of Rows	1

Electrical Characteristics

Operating Voltage	50 VDC
-------------------	--------



Contact Features

Wire Contact Termination Area Plating Material	Tin
Contact Mating Area Plating Material	Tin
Contact Retention Within Housing	With
Contact Current Rating (Max)	2 A

Termination Features

Termination Method to Wire & Cable	Insulation Displacement (IDC)
------------------------------------	-------------------------------

Mechanical Attachment

Mating Alignment	With
Mating Alignment Type	Keyed
Mating Retention	With
Mating Retention Type	Locking Latch
Connector Mounting Type	Cable Mount (Free-Hanging)

Housing Features

Housing Material	Nylon 6/6
Housing Color	Natural
Centerline (Pitch)	2 mm [.079 in]

Usage Conditions

Operating Temperature Range	-40 – 105 °C [-40 – 221 °F]
-----------------------------	-----------------------------

Operation/Application

Circuit Application	Signal
---------------------	--------

Industry Standards

UL Flammability Rating	UL 94V-0
------------------------	----------

Product Compliance

[For compliance documentation, visit the product page on TE.com>](#)

EU RoHS Directive 2011/65/EU	Compliant
EU ELV Directive 2000/53/EC	Compliant
China RoHS 2 Directive MIIT Order No 32, 2016	No Restricted Materials Above Threshold
EU REACH Regulation (EC) No. 1907/2006	Current ECHA Candidate List: JUNE 2022 (224) Candidate List Declared Against: JAN 2022 (223)

SVHC > Threshold:
Not Yet Reviewed

Halogen Content

Not Low Halogen - contains Br or Cl > 900 ppm.

Solder Process Capability

Not reviewed for solder process capability

Product Compliance Disclaimer

This information is provided based on reasonable inquiry of our suppliers and represents our current actual knowledge based on the information they provided. This information is subject to change. The part numbers that TE has identified as EU RoHS compliant have a maximum concentration of 0.1% by weight in homogenous materials for lead, hexavalent chromium, mercury, PBB, PBDE, DBP, BBP, DEHP, DIBP, and 0.01% for cadmium, or qualify for an exemption to these limits as defined in the Annexes of Directive 2011/65/EU (RoHS2). Finished electrical and electronic equipment products will be CE marked as required by Directive 2011/65/EU. Components may not be CE marked. Additionally, the part numbers that TE has identified as EU ELV compliant have a maximum concentration of 0.1% by weight in homogenous materials for lead, hexavalent chromium, and mercury, and 0.01% for cadmium, or qualify for an exemption to these limits as defined in the Annexes of Directive 2000/53/EC (ELV). Regarding the REACH Regulation, the information TE provides on SVHC in articles for this part number is based on the latest European Chemicals Agency (ECHA) 'Guidance on requirements for substances in articles' posted at this URL: <https://echa.europa.eu/guidance-documents/guidance-on-reach>

Compatible Parts




TE Part # 1-2232824-3
SGI2.0 PLUG HOUSING 3P, KEY A, NTL



TE Part # 1-2232979-2
SGI2.0 PLUG ASSEMBLY 2P, KEY A, NTL



TE Part # 1-2232979-4
SGI2.0 PLUG ASSEMBLY 4P, KEY A, NTL



TE Part # 1-2232979-5
SGI2.0 PLUG ASSEMBLY 5P, KEY A, NTL



TE Part # 1-2232979-6
SGI2.0 PLUG ASSEMBLY 6P, KEY A, NTL



TE Part # 1-2232979-7
SGI2.0 PLUG ASSEMBLY 7P, KEY A, NTL



TE Part # 1-2232979-8
SGI2.0 PLUG ASSEMBLY 8P, KEY A, NTL



TE Part # 1-2232979-9
SGI2.0 PLUG ASSEMBLY 9P, KEY A, NTL



TE Part # 1-2336678-3
SGI2.0 RA SMT HDR ASSY 3P, key A, NTL



TE Part # 2-2232979-0
SGI2.0 PLUG ASSEMBLY 10P, KEY A, NTL



TE Part # 4-2232979-2
SGI2.0 PLUG ASSEMBLY 2P, KEY B, BLK

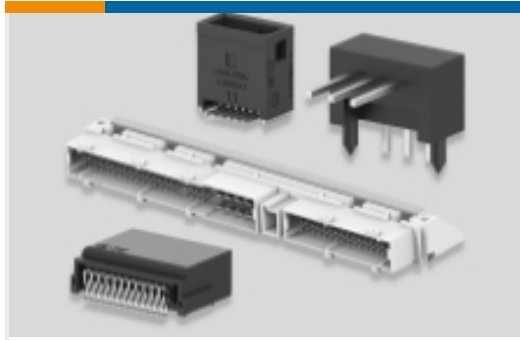


TE Part # 4-2232979-3
SGI2.0 PLUG ASSEMBLY 3P, KEY B, BLK



TE Part # 1-2336681-3
SGI2.0 RA SMT HDR HSG 3P, key A,
NTL

Also in the Series | GRACE INERTIA 2.0



PCB Headers & Receptacles(70)



Rectangular Connector Housings(20)



Standard Rectangular Connectors(18)



Wire-to-Board Connector Assemblies
& Housings(1)



Wire-to-Board Connector Contacts(3)

Customers Also Bought



TE Part #1393212-8
T92S7D12-12



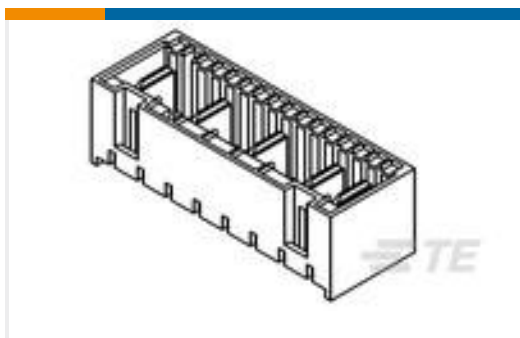
TE Part #1-2328724-3
0.3mm FPC Connectors



TE Part #1461403-5
OJE-SH-124LMH,000



TE Part #2232511-5
3P, RAST 5 TAB HEADER, THV



TE Part #2232511-7
7P, RAST 5 TAB HEADER, THV



TE Part #6-1423008-1
T92S7D1X-12-99



TE Part #5-1423008-7
T92-4012,001



Documents

Product Drawings

[SGI2.0 PLUG ASSEMBLY 3P,KEY A](#)

English

CAD Files

[3D PDF](#)

3D

Customer View Model

[ENG_CVM_CVM_1-2232979-3_B.2d_dxf.zip](#)

English

Customer View Model

[ENG_CVM_CVM_1-2232979-3_B.3d_igs.zip](#)

English

Customer View Model

[ENG_CVM_CVM_1-2232979-3_B.3d_stp.zip](#)

English

By downloading the CAD file I accept and agree to the [Terms and Conditions](#) of use.

Product Specifications

[Application Specification](#)

English

Product Environmental Compliance

[Product Compliance](#)

English

[Product Compliance](#)

English

Agency Approvals

[VDE Certificate](#)

English