

INTEGRAL OR REMOTE SIGNAL CONDITIONER

FLSC-C3-LIQ



- ✓ DC or AC Powered
- ✓ Pulse and Analog Outputs
- ✓ High or Low Alarms (Optional)
- ✓ 20 Point Linearization
- ✓ Factory Configuration Available
- ✓ Windows® Configuration Software*



FLSC-C3-LIQ shown smaller than actual size.

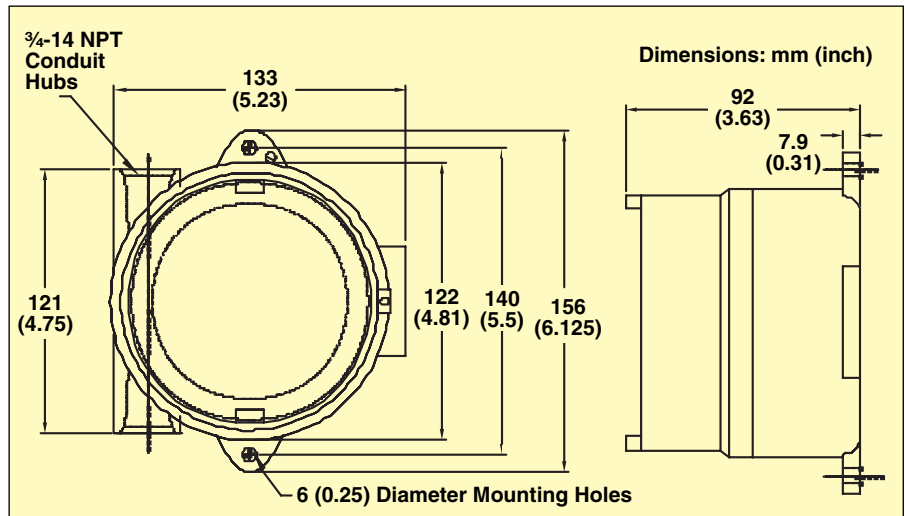
The FLSC-C3-LIQ is a DC powered, microprocessor controlled transmitter. It outputs a pulse scaled per unit of flow, and analog signal proportional to flow rate.

The FLSC-C3-LIQ-AL can be configured with high or low alarms. The FLSC-C3-LIQ is designed for integral mounting to the FTB-100, FTB-200 and FTB-400 Series** liquid turbines.

** Visit us online for details.

SPECIFICATIONS

Input Signal Type: Magnetic pickup, MCP pickup, contact closure, pulse
Input Frequency Range: 0.2 Hz to 4 KHz
Signal Level: 10 mV rms to 30 Vdc
Power Supply: 13 to 30 Vdc reverse polarity protection
Analog Output: 4 to 20 mA, 1 to 5V 24 mA overflow condition
Load Resistance: Maximum 650 Ω at 24 Vdc
Accuracy: ±0.02% of full scale
Temperature Drift: 40 ppm/degree C
Pulse Output: 0 to 5V, 0 to 10V, open collector, AC square. Internal pull up 10 kΩ. Recommended minimum load resistance 50 kΩ
Pulse Scaling: Divide by 1, 10 or 100 per flow unit
Hi/Lo Alarm (-AL Model) Optional: Relay (2A, 30 Vdc), 0 to 5V, open collector (0.5A, 30V)
Communications: RS232 port for configuration and diagnostics
Operating Temperature: -40 to 85°C (-40 to 185°F)



Enclosure meets Class I, Div 1 & 2, Groups A, B, C & D. Class 1, Zones 1 & 2, Groups IIB + H2IIA. Class II, Div 1 & 2 Groups E, F & G. Class III. NEMA 3, 4 7(B, C, D) 9(E, F, G). Cenelec EEx d IIC IP66, UL, CSA, FM Approved. ATEX Certified.

Humidity: 0 to 90% non-condensing
Enclosure: Extruded aluminum explosion-proof ATEX

Regulatory: CE Compliant up to 20 point linearization Windows® Configuration Software* (cable sold separately)

To Order

Model No.	Description
FLSC-C3-LIQ	DC powered signal conditioner 4 to 20 mA, CE ATEX
FLSC-C3-AL-LIQ	DC powered signal conditioner 4 to 20 mA, alarm CE ATEX
OM-CONV-USB	USB to RS232 converter
FLSC-C-CABLE	Molex to 9-pin "D" connector

Comes complete with operator's manual and enclosure.

* Available free at omega.com/ftp

Ordering Example: FLSC-C3-LIQ, DC powered turbine signal conditioner with FLSC-C-CABLE Molex to 9-pin "D" connector.