

HIGH PERFORMANCE FLOW SENSORS

FP-2541
Starts at

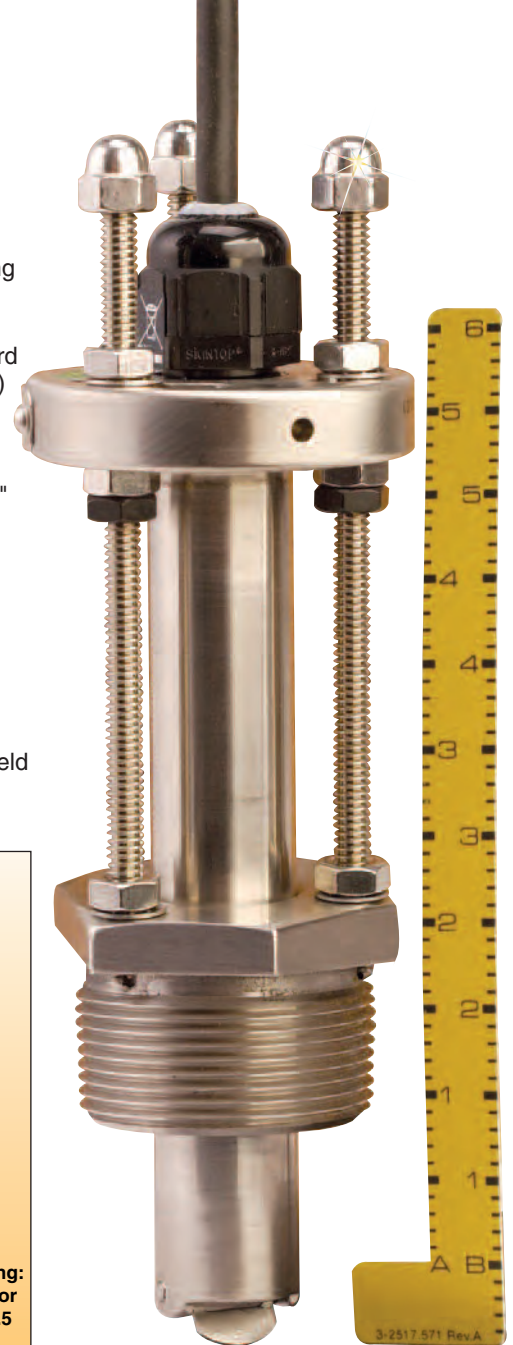


- ✓ Rugged 316 Stainless Steel Construction
- ✓ Flow Rates as Low as 0.3 fps
- ✓ Installs in a Variety of Pipe Sizes
- ✓ No Magnets in Process Fluid
- ✓ Hot-Tap Version Removable Without Shutdown
- ✓ Uses Standard Pipe Connections

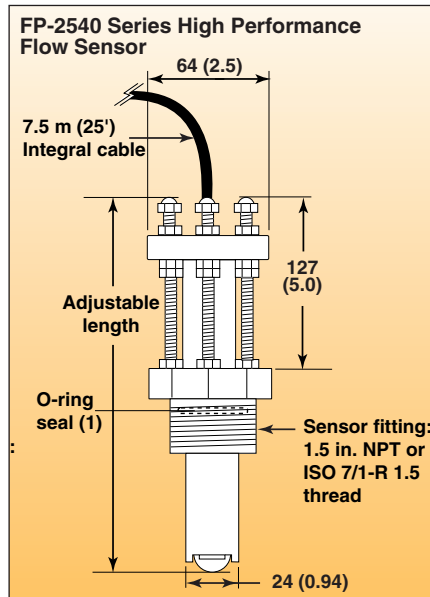
The FP-2540 and FP-3-1500 Series offer the added strength and corrosion resistance of stainless steel for applications requiring low velocity measurement. Unique internal circuitry eliminates the need for magnets in the process fluid, enabling lower flow measurement while maintaining the advantages of insertion-type sensor design. The sensor's unique rotor/bearing design offers low flow measuring capability with increased reliability.

SPECIFICATIONS

Output Signal: Open collector, sinking
Output Frequency: 15 Hz per fps
Operating Range: 0.3 to 20 fps
Pressure/Temperature: With standard FKM O-rings: 250 psi @ 82°C (180°F)
 With optional EPR O-rings: 250 psi @ 100°C (212°F)
Power Requirements: 5 to 24 Vdc
Pipe Size Range: FP-2540: 1.5 to 24"
 FP-3-1500-2X: 1.5 to 36"
Repeatability: ±0.5% of full range
Linearity: ±1% of full range
MATERIALS
Sensor Fitting: 316SS
O-rings: FKM (EPR optional)
Rotor: CD4MCu
Rotor Bearings: PEEK™
Cable Type: Twisted pair with foil shield
Cable Length: 7.6 m (25')
 305 m (1000') max

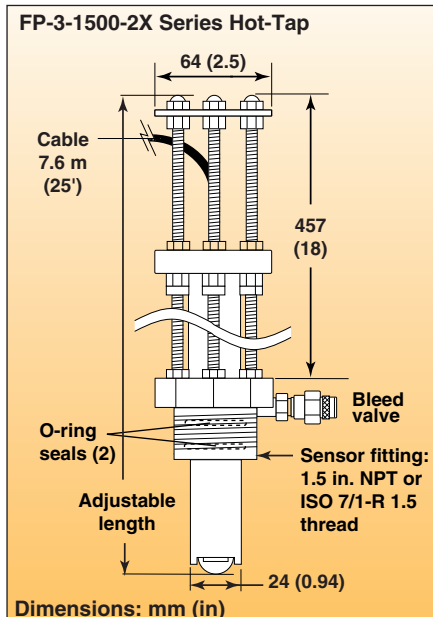


FP-2541 flow sensor, shown with 152 mm (6") installation ruler, included.



Dimensions: mm (in)

MOST POPULAR MODELS HIGHLIGHTED!



Dimensions: mm (in)

To Order (Specify Model Number)

Model No.	Description
FP-2541	High performance flow sensor with 1.5 NPT thread
FP-2542	High performance flow sensor with 1.5" ISO thread
FP-3-1500-2B	Hot-tap flow sensor with 1.5 NPT thread
FP-3-1500-2M	Hot-tap flow sensor with 1.5" ISO thread

Accessories

Model No.	Description
FP-3-1500-302	Hot-tap installation tool
FP-3-2540-321	Replacement rotor and pin for units with serial numbers with "A"

Compatible Meters:
 DPF700 (page M-5),
 FPM-5500 (page F-43),
 FPM-9020A (page F-42)

Comes complete with 152 mm (6") installation ruler and operator's manual
Ordering Examples: FP-2541, high performance flow sensor with 1.5 NPT thread,
 FP-2542, high performance flow sensor with 1.5" ISO thread,

omega.co.uk[®]

Your One-Stop Source for Process Measurement and Control!

Freephone 0800 488 488 | International +44(0) 161 777 6622 | Fax +44(0) 161 777 6622 | Sales@omega.co.uk

www.omega.co.uk



UNITED STATES

www.omega.com

1-800-TC-OMEGA
Stamford, CT.

UNITED KINGDOM

www.omega.co.uk

Manchester, England
0800-488-488
+44-(0)161-777-6611

CANADA

www.omega.ca

Laval(Quebec)
1-800-TC-OMEGA

FRANCE

www.omega.fr

0800-466-342

GERMANY

www.omega.de

Deckenfronn, Germany
0800-8266342

BENELUX

www.omega.nl

0800-099-33-44



More than 100,000 Products Available!

• Temperature

Calibrators, Connectors, General Test and Measurement Instruments, Handheld Instruments for Temperature Measurement, Ice Point References, Indicating Labels, Crayons, Cements and Lacquers, Infrared Temperature Measurement Instruments, Recorders, Relative Humidity Measurement Instruments, PT100 Probes, PT100 Elements, Temperature & Process Meters, Timers and Counters, Temperature and Process Controllers and Power Switching Devices, Thermistor Elements, Probes and Assemblies, Thermocouples, Thermowells and Head and Well Assemblies, Transmitters, Thermocouple Wire, RTD Probes

• Flow and Level

Air Velocity Indicators, Doppler Flowmeters, Level Measurement, Magnetic Flowmeters, Mass Flowmeters, Pitot Tubes, Pumps, Rotameters, Turbine and Paddle Wheel Flowmeters, Ultrasonic Flowmeters, Valves, Variable Area Flowmeters, Vortex Shedding Flowmeters

• pH and Conductivity

Conductivity Instrumentation, Dissolved Oxygen Instrumentation, Environmental Instrumentation, pH Electrodes and Instruments, Water and Soil Analysis Instrumentation

• Data Acquisition

Communication Products and Converters, Data Acquisition and Analysis Software, Data Loggers Plug-in Cards, Signal Conditioners, USB, RS232, RS485, Ethernet and Parallel Port Data Acquisition Systems, Wireless Transmitters and Receivers

• Pressure, Strain and Force

Displacement Transducers, Dynamic Measurement Force Sensors, Instrumentation for Pressure and Strain Measurements, Load Cells, Pressure Gauges, Pressure Reference Section, Pressure Switches, Pressure Transducers, Proximity Transducers, Regulators, Pressure Transmitters, Strain Gauges, Torque Transducers, Valves

• Heaters

Band Heaters, Cartridge Heaters, Circulation Heaters, Comfort Heaters, Controllers, Meters and Switching Devices, Flexible Heaters, General Test and Measurement Instruments, Heater Hook-up Wire, Heating Cable Systems, Immersion Heaters, Process Air and Duct, Heaters, Radiant Heaters, Strip Heaters, Tubular Heaters