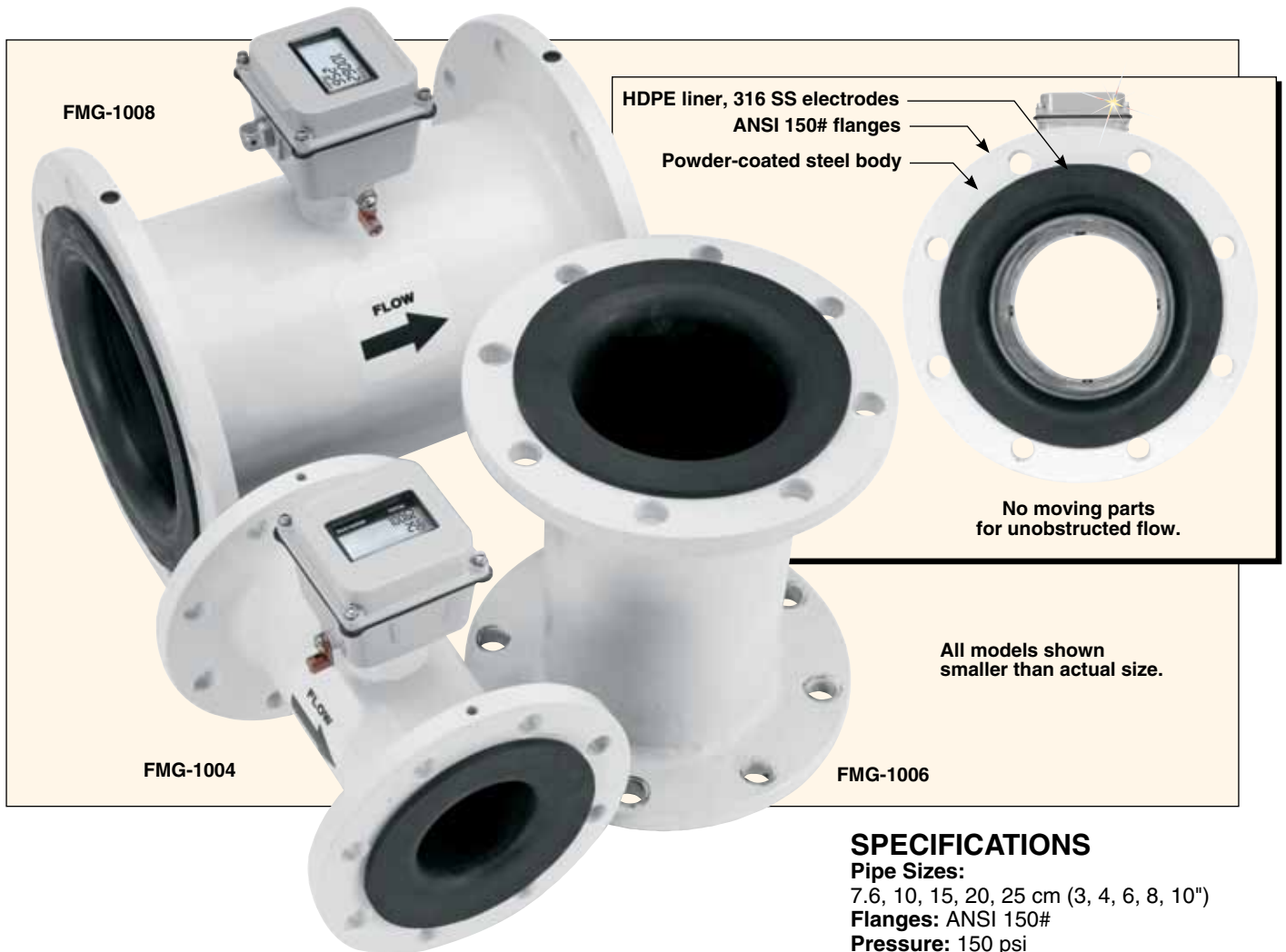


# MUNICIPAL/INDUSTRIAL MAGMETER



## FMG-1000 Series



- ✓ Simple and Economical as a Mechanical Meter
- ✓ No Moving Parts
- ✓ Built-In Pulse Output
- ✓ Minimal Straight Pipe Required
- ✓ Solar Power and Data Logger Available
- ✓ Built-In Pulse Output for Data Logging or Telemetry

The FMG-1000 Series comprises flanged electromagnetic flow meters for use in municipal or industrial water and wastewater applications in which propeller meters have typically been used in the past. With no moving parts and electrodes designed to discourage fouling,

the FMG-1000 magmeters require much less frequent maintenance in applications in which debris or sand would impede propeller meters. There is no rotor to stop turning or bearings to wear out. Minimal straight-pipe requirements allow use of FMG-1000 Series meters in piping configurations involving little space between the meter and an elbow.

The FMG-1000 works off 12 to 24 Vdc power. Low power requirements also make it ideal for solar and comparable power sources. Rate and total indication is standard, as is a solid state pulse output, which allows connection to a data logger.

The FMG-1000-MAW pulse-to-analog converter can be added if a 4 to 20 mA signal is needed. A shielded power/pulse output cable with DIN connection is included with the meter. The display housing is fitted with tamper-evident features.

## SPECIFICATIONS

### Pipe Sizes:

7.6, 10, 15, 20, 25 cm (3, 4, 6, 8, 10")

**Flanges:** ANSI 150#

**Pressure:** 150 psi

**Temperature Range:**

-12 to 54°C (10 to 130°F)

**Accuracy:**

±1% at 100% to 10% of reading;

±2% at 10% of reading to cut off

**Materials:**

**Body:** Welded steel, epoxy powder coated

**Liner:** HDPE

**Electronics Housing:**

Die-cast aluminum, powder coated

**Electrodes:** 316 SS

**Rate Display:**

**Digits:** 5

**Units:** Gallons/minute (standard)

[million gallons/day, liters/second

or cubic feet/minute must be factory configured]

**Total Display:**

**Digits:** 8

**Units:** Gallons x 1000 (standard)

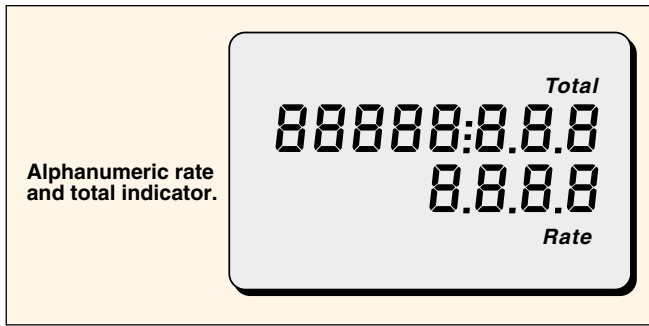
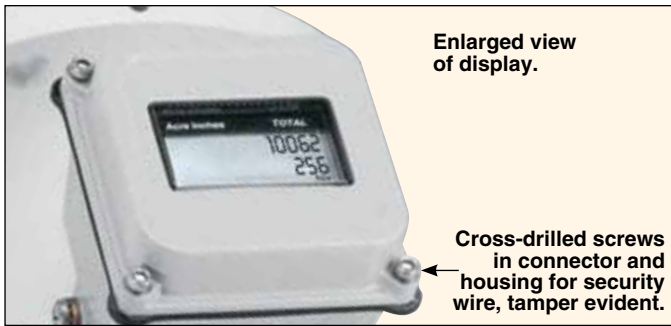
[cubic feet, cubic meters or megaliters must be factory configured]

**Power:** 12 to 24 Vdc, 30 mA

**Output Signal:** Current sinking pulse, opto-isolated, 24 Vdc, 10 mA maximum

**Empty Pipe Detection:** Hardware/software, conductivity-based

**Environmental:** NEMA 4 (IP65) standard NEMA 6P (IP68) (-SUB models)



### Solar Power Kit

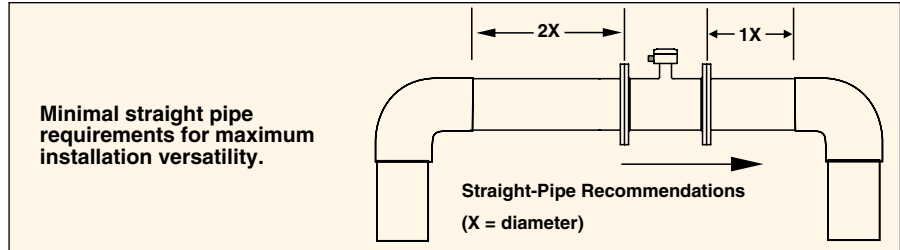
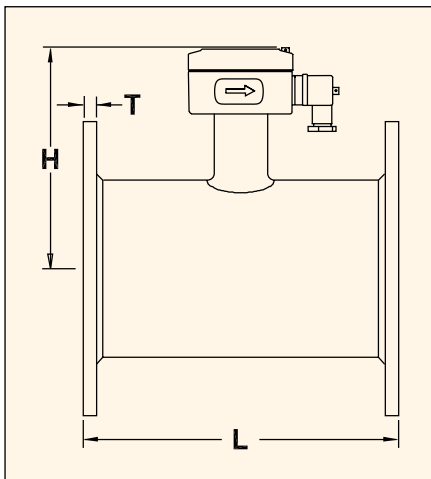
The optional FMG-1000-SK solar panel can provide up to 5 W (15V, 330 mA) power for the FMG-1000 magmeters, for remote metering applications where electricity is either unavailable for impractical. It can also provide a backup power supply for uninterrupted operation. Designed for use with a standard

12V 50, Ah deep cycle battery (user supplied), the FMG-1000-SK can provide up to a 90 day power supply backup (not shown).

### Data Logger Option

The OM-CP-PULSE101A data logger is battery powered and can record up to 1 years worth of data (sampling rates from 15 sec to 24 days). When used with the OM-CP-IFC200 software (sold separately) the OM-CP-PULSE101A

retrieves your data for storage, viewing and analysis in several formats. The data logger senses and records the number of pulses/contact closures that occur within the selectable time period. The real time clock ensures all data is time and date stamped. The software converts your PC into a real time strip chart recorder. Data can be printed in graphical or tabular format and can be exported to a text or Microsoft Excel® file.



Meter Size	L mm (inch)	H mm (inch)	T mm (inch)	Weight kg (lb)	High Frequency Output PPG (PPL)
3"	305 (12)	173 (6.8)	17.3 (0.68)	19 (41)	25.228 (6.665)
4"	260 (10.24)	178 (7.0)	20.9 (0.62)	14.5 (32)	16.362 (4.323)
6"	312 (12.27)	206 (8)	23.3 (0.69)	21.3 (47)	6.307 (1.666)
8"	362 (14.24)	231 (9.1)	23.3 (0.69)	32.2 (71)	3.344 (0.883)
10"	462 (18.18)	257 (10.1)	23.3 (0.69)	43.1 (95)	2.150 (0.568)

### To Order

Model No.	Submersion Model No.	Min GPM	Max GPM	Size: cm (inch)	Description
—	<b>FMG-1003-SUB</b>	7.5	700	7.6 (3)	3" flanged electromagnetic flow meter
<b>FMG-1004</b>	<b>FMG-1004-SUB</b>	12	1000	10 (4)	4" flanged electromagnetic flow meter
<b>FMG-1006</b>	<b>FMG-1006-SUB</b>	32	2400	15 (6)	6" flanged electromagnetic flow meter
<b>FMG-1008</b>	<b>FMG-1008-SUB</b>	60	4400	20 (8)	8" flanged electromagnetic flow meter
<b>FMG-1010</b>	<b>FMG-1010-SUB</b>	95	7000	25 (10)	10" flanged electromagnetic flow meter

### Accessories

Model No.	Description
<b>FMG-1003-GR</b>	3" single flange grounding ring
<b>FMG-1004-GR</b>	4" single flange grounding ring
<b>FMG-1006-GR</b>	6" single flange grounding ring
<b>FMG-1008-GR</b>	8" single flange grounding ring
<b>FMG-1010-GR</b>	10" single flange grounding ring
<b>FMG-1000-SK</b>	Solar power kit
<b>FMG-1000-MAW</b>	4 to 20 mA output module wall mount
<b>OM-CP-PULSE101A</b>	Counter/totalizer/event data logger with 1-year battery life (CE approved) OM-CP-IFC200 software sold separately
<b>OM-CP-IFC200</b>	Windows software and 3.7 m (12') USB interface cable**
<b>OM-CP-BAT105</b>	Replacement 3.6V lithium battery

Comes complete with operator's manual.

\*\* OM-CP-IFC200 includes Windows software, and 3.7 m (12') USB interface cable.

Ordering Examples: **FMG-1006** 6" flange mounted magmeter, two **FMG-1006-GR** grounding rings, **OM-CP-PULSE101A** data logger, and **OM-CP-IFC200**, software and cable for data logger.

**FLMG-1004** 4" flange mounted magmeter with two **FMG-1004-GR** grounding rings.