

INDUSTRIAL CONTROL TRANSFORMERS

C-Transformers



- Single Phase Transformers
- VA Load for 50 to 500
- Input Voltages 240/480 to 120 Vac
- Input Voltages 208/230/450 to 24/115 Vac
- Models with Integral Fuse Blocks

Transformers provide stepped down voltages to machine tool control devices enabling control circuits to be isolated from all power and lighting circuits. This allows the use of grounded or ungrounded circuits that are independent of the power or lighting grounds; greater safety is afforded the operator. The control transformer line is particularly adaptable on applications where compact construction is demanded.



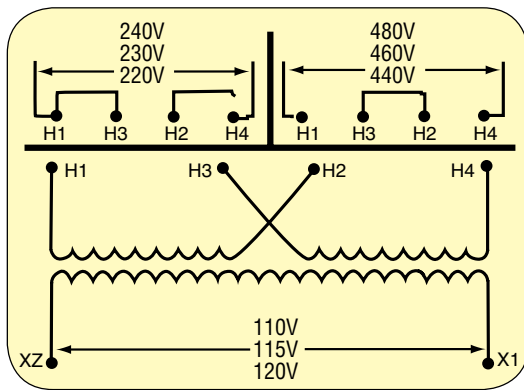
C0050E2A
shown smaller
than actual size.

Single-Phase Transformers How to Select Single-Phase Units

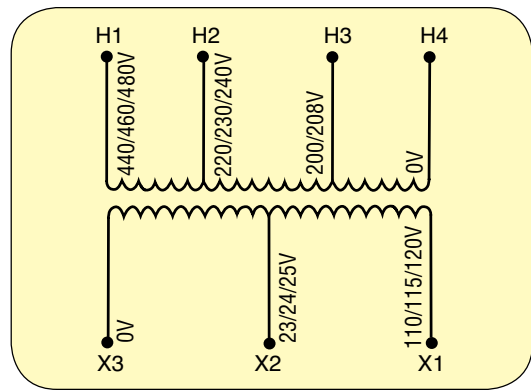
1. Determine the primary (source) voltage (the voltage presently available).
2. Determine the secondary (load) voltage (the voltage needed at the load).
3. Determine the VA load:
Select a transformer rating equal to or greater than the load VA.

$$VA = \text{Load Volts} \times \text{Load Amps}$$

MODEL NO.	VA	DIMENSIONS: mm (inch)			WEIGHT kg (lbs)	WIRING DIAGRAM
		HEIGHT	WIDTH	DEPTH		
C0050E2A	50	65 (2.56)	76 (3)	76 (3)	1.2 (2.6)	1
C0075E2A	75	65 (2.56)	76 (3)	89 (3.5)	1.6 (3.5)	1
C0100E2A	100	73 (2.875)	86 (3.375)	86 (3.375)	1.9 (4.2)	1
C0150E2A	150	81 (3.187)	95 (3.75)	102 (4)	3 (6.7)	1
C0200E2A	200	97 (3.812)	114 (4.5)	102 (4)	3.9 (8.5)	1
C0250E2A	250	97 (3.812)	114 (4.5)	111 (4.375)	10 (4.5)	1
C0300E2A	300	97 (3.812)	114 (4.5)	121 (4.75)	5.1 (11.3)	1
C0500E2A	500	121 (4.75)	133 (5.25)	140 (5.5)	8.7 (19.2)	1
C0050E2AFB	50	100 (3.937)	76 (3)	76 (3)	1.3 (2.8)	1
C0075E2AFB	75	100 (3.937)	76 (3)	89 (3.5)	1.7 (3.7)	1
C0100E2AFB	100	108 (4.25)	86 (3.375)	86 (3.375)	2.0 (4.4)	1
C0150E2AFB	150	116 (4.562)	95 (3.75)	102 (4)	3.1 (6.9)	1
C0200E2AFB	200	132 (5.187)	114 (4.5)	102 (4)	3.9 (8.7)	1
C0250E2AFB	250	132 (5.187)	114 (4.5)	111 (4.375)	4.6 (10.2)	1
C0300E2AFB	300	132 (5.187)	114 (4.5)	121 (4.75)	5.2 (11.5)	1
C0350E2AFB	350	132 (5.187)	114 (4.5)	133 (5.25)	6.3 (13.8)	1
C0500E2AFB	500	156 (6.125)	133 (5.25)	140 (5.5)	8.8 (19.4)	1
C0050E5E	50	65 (2.56)	76 (3)	83 (3.25)	1.5 (3.4)	2
C0100E5E	100	81 (3.187)	95 (3.75)	143 (5.625)	2.7 (5.9)	2
C0150E5E	150	81 (3.187)	95 (3.75)	111 (4.375)	3.6 (7.9)	2

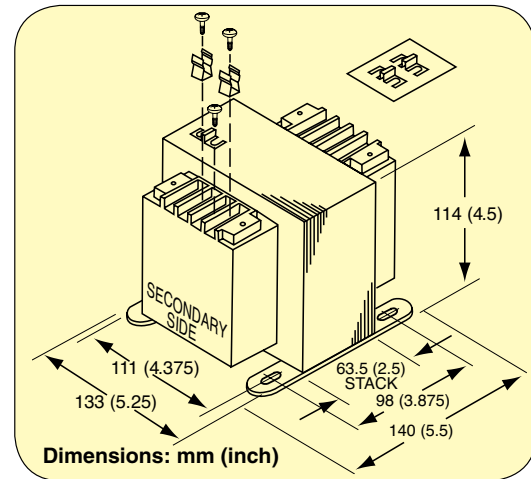


Wiring Diagram 1



Wiring Diagram 2

C0050E2AFB
shown smaller
than actual size.



Dimensions: mm (inch)

To Order Visit omega.com/c-transformer for Pricing and Details

INDUSTRIAL CONTROL TRANSFORMERS CPT

MODEL NO.	DESCRIPTION
C0050E2A	50 VA, 240/480 to 120 Vac
C0075E2A	75 VA, 240/480 to 120 Vac
C0100E2A	100 VA, 240/480 to 120 Vac
C0150E2A	150 VA, 240/480 to 120 Vac
C0200E2A	200 VA, 240/480 to 120 Vac
C0250E2A	250 VA, 240/480 to 120 Vac
C0300E2A	300 VA, 240/480 to 120 Vac
C0500E2A	500 VA, 240/480 to 120 Vac
C0050E5E	50 VA, 208/230/450 to 24/115 Vac
C0100E5E	100 VA, 208/230/450 to 24/115 Vac
C0150E5E	150 VA, 208/230/450 to 24/115 Vac

TRANSFORMERS WITH PRIMARY FUSE BLOCK

C0050E2AFB	50 VA, 240/480 to 120 Vac
C0075E2AFB	75 VA, 240/480 to 120 Vac
C0100E2AFB	100 VA, 240/480 to 120 Vac
C0150E2AFB	150 VA, 240/480 to 120 Vac
C0200E2AFB	200 VA, 240/480 to 120 Vac
C0250E2AFB	250 VA, 240/480 to 120 Vac
C0300E2AFB	300 VA, 240/480 to 120 Vac
C0350E2AFB	350 VA, 240/480 to 120 Vac
C0500E2AFB	500 VA, 240/480 to 120 Vac

Comes complete with instruction sheet.

Ordering Examples: C0050E2A, 50 VA control transformer.

C0050E2AFB, 50 VA control transformer with primary fuse block.