

1/8 DIN Digital Potentiometer

Scalable Display And User I/O

OMDC-DP4



OMDC-DP4

- ✓ Selectable Inhibit Function
- ✓ Control Mode Selectable Between Rate and Time
- ✓ Selectable Jog Function
- ✓ Factory Default Function—Reset Drive to Factory Setting
- ✓ User-Default Storage Capability
- ✓ NEMA 4X (IP66) Rating
- ✓ Supports Bipolar Connections for Regenerative Drives

SPECIFICATIONS

Temperature: -10 to 45°C
(14 to 113°F)

AC Input Voltage: 85 to 265 Vac

Input Frequency: 50/60 Hz

Output Compatible: Any drive input impedance of 1 kΩ to 10M Ω

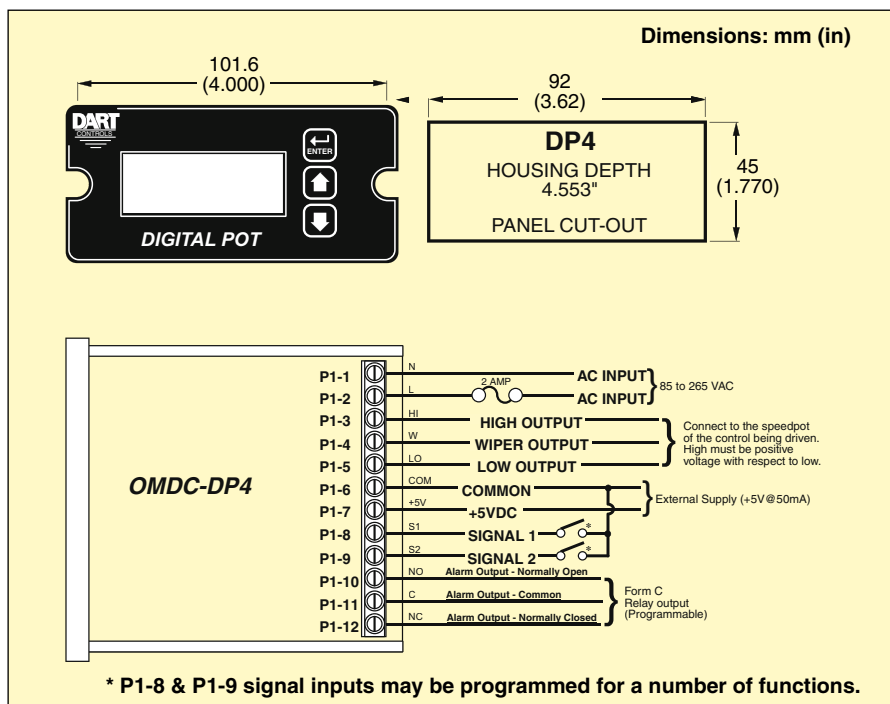
Output Support: ±10 Vdc or lower or 0 to 20 Vdc

Dimensions: 115 W x 58 mm H
(4.54 x 2.29") bezel; 117 mm D (4.63")

The OMDC-DP4 is a microprocessor based digital speed potentiometer that can directly replace a conventional 3-wire analog speedpot or motorized speedpot for most AC and DC drives. The desired set speed is entered into the large 1/2" LED display through the convenient front-panel interface, and display units are now programmable for virtually any unit of measure. The OMDC-DP4 is easy to install into industry standard 1/8 DIN cut-out dimensions. The electrically isolated common signal permits direct wiring from the unit terminal block to the drive's potentiometer terminal points.

Application

The OMDC-DP4 is ideal for new equipment as well as for retrofitting most AC or DC drive systems where precise, repeatable speed setting and digital readout are desired. The OMDC-DP4 is also ideal in applications where high vibration and other environmental factors can cause normal speedpot settings to drift.



To Order

| MODEL NO. | DESCRIPTION |
|-----------|-----------------------|
| OMDC-DP4 | Digital potentiometer |

Comes complete with operator's manual.

Ordering Example: OMDC-DP4 digital speed potentiometer.