

# INSTRUMENT AIR FILTER REGULATORS WITH 40 MICRON FILTER

20 scfm at 100 psig

## PRG300 Series



- Compact Light Weight Construction
- Low Air Consumption
- Rugged Corrosion Resistant Design
- Direct, Pipe or Bracket Mounting
- 40 Micron Filter
- Built in Gauge Port and Bleed Valve
- Available with 1/2 or 1/4 NPT Fittings

The PRG300 instrument air filter regulator is designed to provide clean, accurate air pressure to instruments, valves, and other automatic control equipment. This filter regulator has been proven to provide accurate operating characteristics under variable conditions. Durable materials and a standard epoxy paint finish provide long lasting corrosion resistance in harsh industrial environments. The PRG300 has 1/4 NPT inlet and outlet fittings and the PRG320's have 1/2 NPT fittings for higher flow rates. Both include a 1/4 NPT gauge port.

### SPECIFICATIONS

**Maximum Supply Pressure:** 17 bar (250 psi)

**Supply Pressure Effect:** < 0.25 psi for 25 psi change

**Exhaust Capacity:** 0.1 SCFM (outlet pressure 5 psig > setpoint)

**Cv Values:**

**PRG300:** 0.5 at 150 psi supply and 80 psi setpoint

**PRG320:** 2.5 at 150 psi supply and 80 psi setpoint

**Sensitivity:** 1 inH<sub>2</sub>O

**Air Consumption:** Less than 5 SCFH

**Temperature Limits:** -18 to 71°C (0 to 160°F)

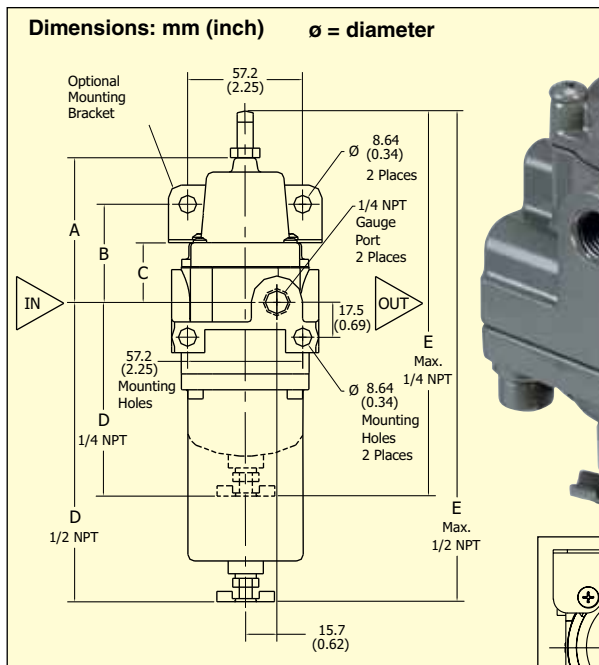
**Filter:** 40 micron

**Port Sizes (In/Out):**

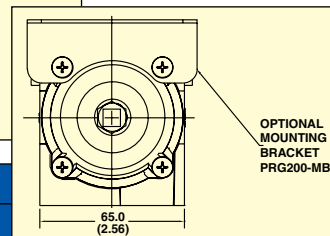
**PRG300:** 1/4 NPT female

**PRG320:** 1/2 NPT female

**Gauge Port:** 1/4 NPT female



PRG300-30 shown smaller than actual size.



Dimensions: mm (inch)					
Port Size (NPT)	A	B	C	D	E
1/4	67.6 (2.66)	44.7 (1.76)	25.4 (1.00)	86.8 (3.42)	181.6 (7.15)
1/2	71.9 (2.83)	49.0 (1.93)	29.7 (1.17)	153.7 (6.05)	248.4 (8.78)

**Mounting:** Pipe, panel, through body or optional bracket

**Weight:**  
**PRG300:** 0.45 kg (1.2 lbs)  
**PRG320:** 0.64 kg (1.71 lbs)

**Materials**

**Body:** Diecast aluminum alloy, irridite and baked epoxy finish

**Filter:** Phenolic impregnated cellulose  
**Diaphragm:** Nitrile elastomer and nylon fabric

**Valve Seat Plug:** Nitrile elastomer  
**Additional Materials:** Brass, zinc plated steel, acetal

To Order			
MODEL NO.	OUTPUT PRESSURE RANGE		IN/OUT FITTINGS
	psi	bar	
PRG300-30	0 to 30	0 to 2.1	1/4 NPTF
PRG300-60	0 to 60	0 to 4.1	1/4 NPTF
PRG300-120	0 to 120	0 to 8.3	1/4 NPTF
PRG320-30	0 to 30	0 to 2.1	1/2 NPTF
PRG320-60	0 to 60	0 to 4.1	1/2 NPTF
PRG320-120	0 to 120	0 to 8.3	1/2 NPTF

**ACCESSORY**

MODEL NO.	DESCRIPTION
PRG200-MB	Mounting bracket

Comes complete with operator's manual.

**Ordering Example:** PRG300-30, air filter regulator with 0 to 30 psi range.