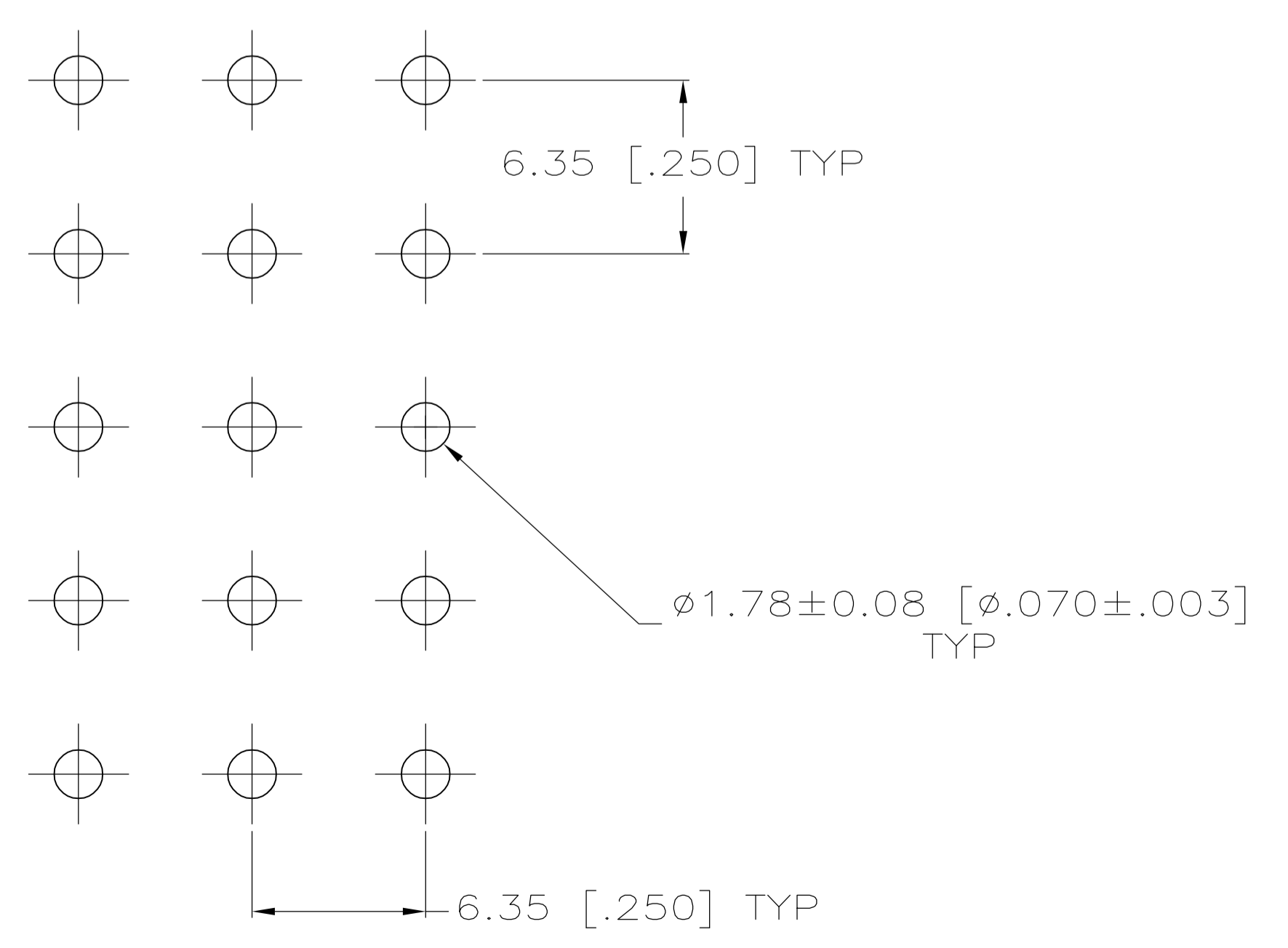
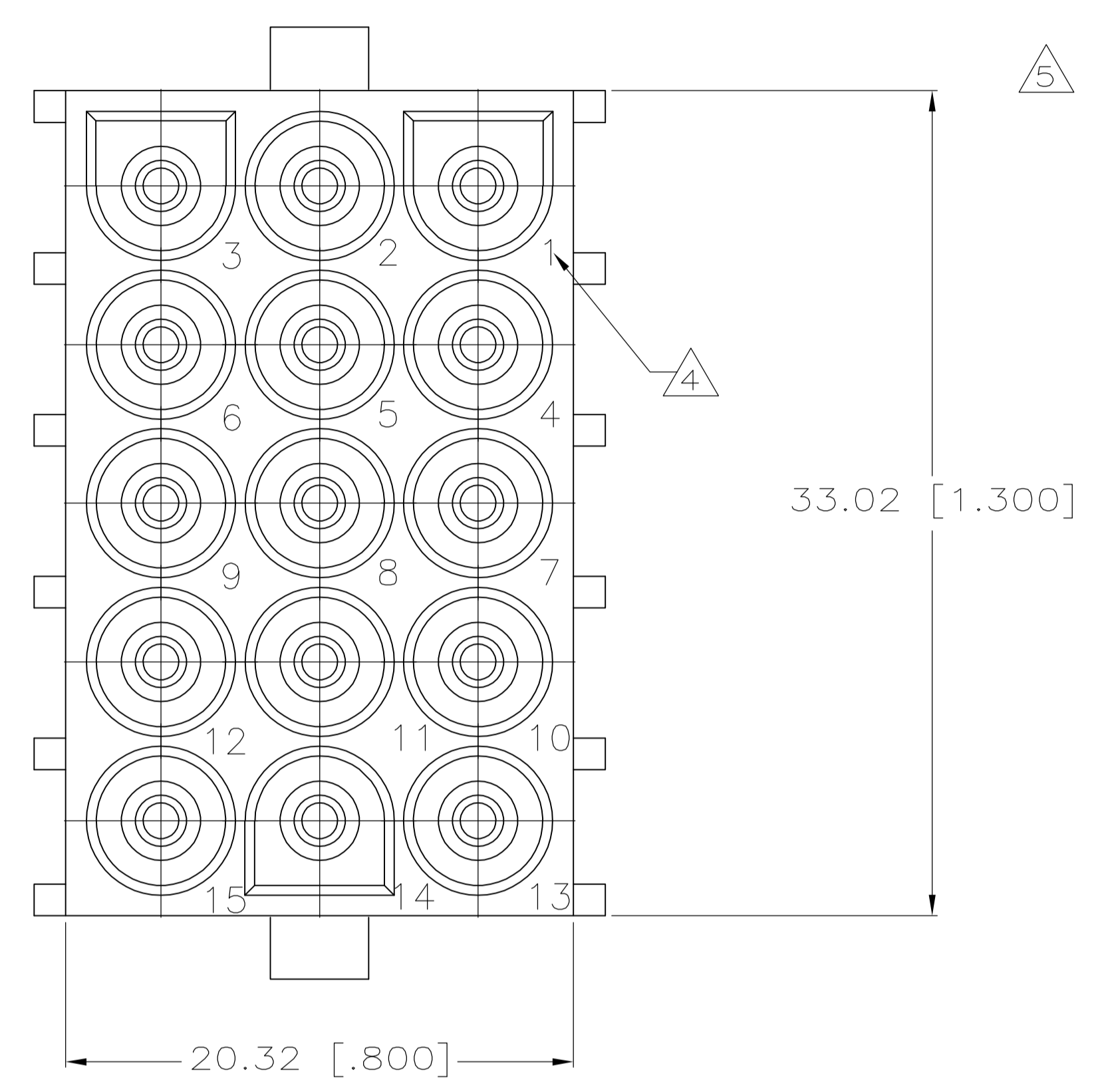
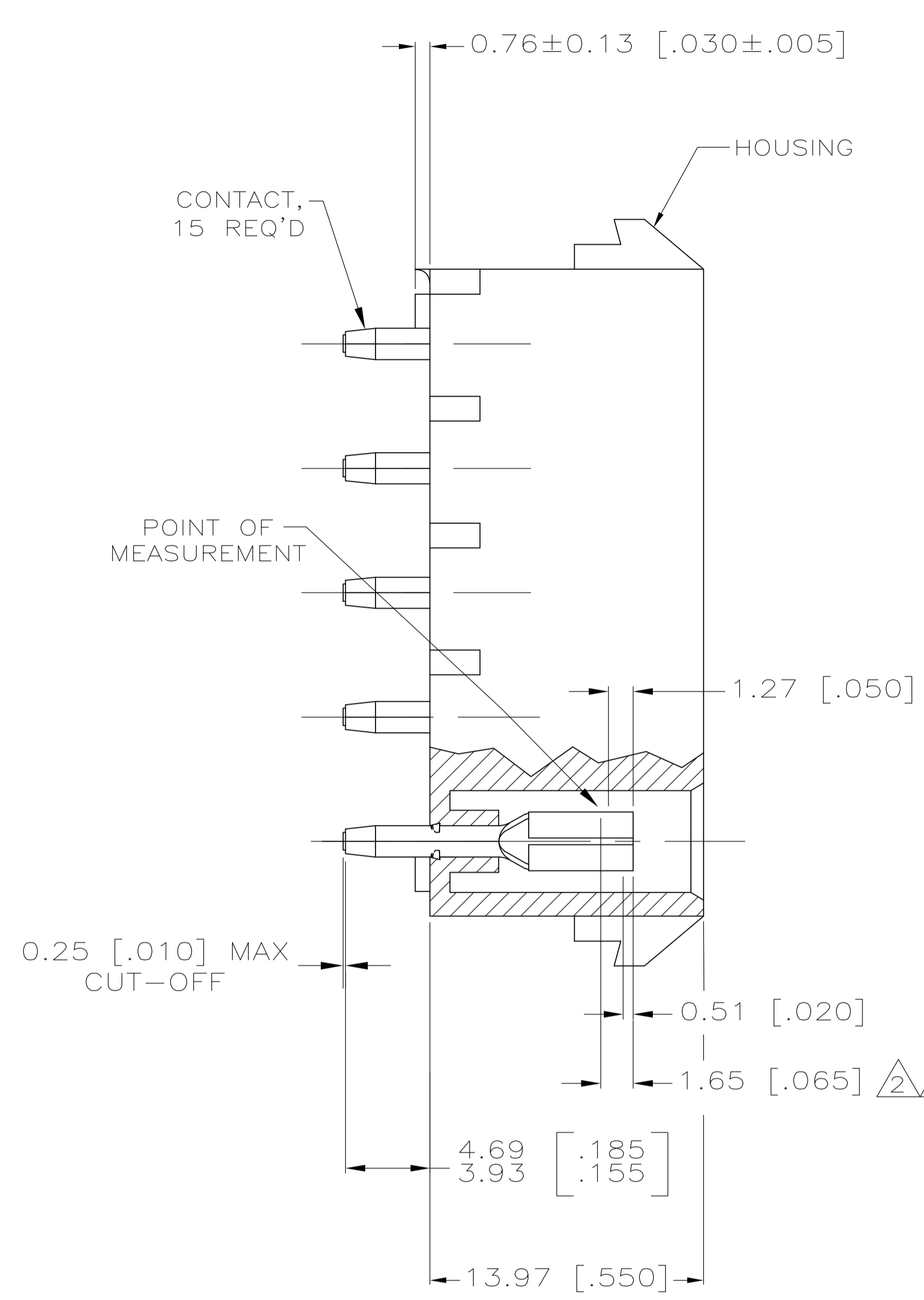
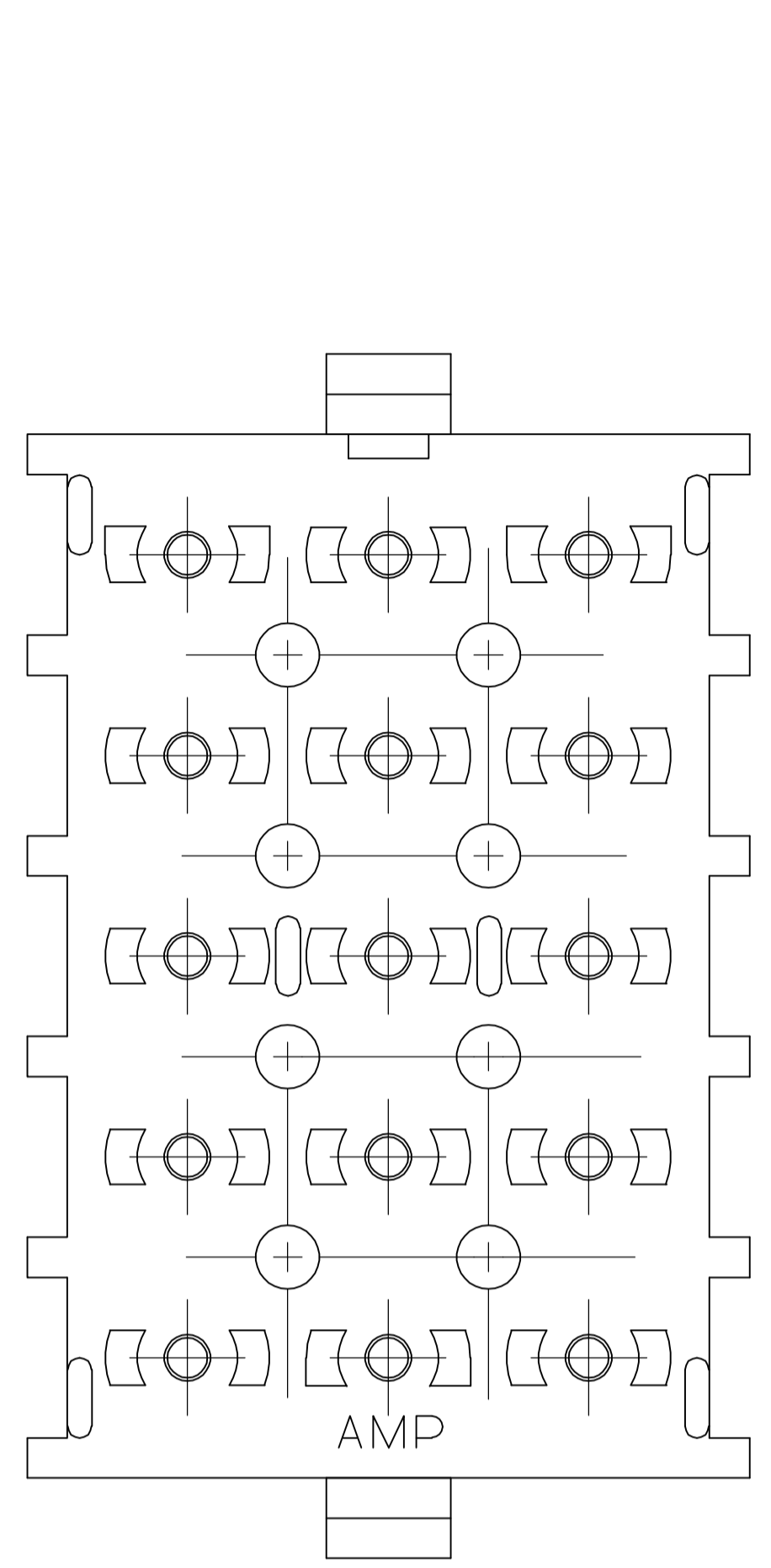


LOC		DIST		REVISIONS			
P	LTR	DESCRIPTION	DATE	OWN	APVD		
P		REVISED PER DG38-1100-04	11OCT05	KW	SR		



RECOMMENDED LAYOUT FOR 1.58 [.062] THICK PC BOARD

1. PARTS MUST COMPLY WITH AMP SOLDERABILITY SPEC 109-11-3.
2. CONTACT IS STAMPED FROM PRE-PLATED STOCK WHICH IS PLATED OVERALL WITH 0.00127 [.000050] NICKEL, THEN STRIPED WITH 0.00076 [.000030] GOLD IN CONTACT AREA INDICATED AND TIN-LEAD ON SOLDER TAIL END.
4. CIRCUIT IDENTIFICATION CHARACTERS ARE ADJACENT TO THE INDICATED CAVITIES, BUT LOCATION AND ORIENTATION MAY DIFFER FROM PRINT.
5. CONTACT IS PLATED OVERALL WITH 0.00127 [.000050] NICKEL, THEN 0.00076 [.000030] GOLD OVER CONTACT LENGTH INDICATED AND MATTE TIN ON SOLDER TAIL END.

PH BRZ GOLD 5	NYLON, UL94V-0	350830-4
PH BRZ GOLD 2	NYLON, UL94V-0	350830-2
PH BRZ TIN	NYLON, UL94V-0	350830-1
CONTACT	HOUSING	PART NO

THIS DRAWING IS A CONTROLLED DOCUMENT.

DIMENSIONS: mm (INCHES)	TOLERANCES UNLESS OTHERWISE SPECIFIED:	OWN: K. WHITAKER CHK: S. RIDGILL APVD: S. RIDGILL PRODUCT SPEC	11OCT2005 11OCT2005 11OCT2005	NAME: 15 CIRCUIT UNIVERSAL MATE-N-LOK (TM) P.C. BOARD SOCKET HEADER ASSEMBLY
MATERIAL: SEE TABLE	FINISH: SEE TABLE	APPLICATION SPEC: --- WEIGHT: ---	SIZE: A1 CAGE CODE: 00779 DRAWING NO: 350830	RESTRICTED TO: ---

CUSTOMER DRAWING SCALE 5:1 SHEET 1 OF 1 REV P

