

PRO-SIGNAL



HDMI EXTENDER KVM POINT TO POINT PSG3454

The terms HDMI, HDMI High-Definition Multimedia Interface, and the HDMI Logo are trademarks or registered trademarks of HDMI Licensing Administrator, Inc.

Please read these instructions carefully before use and retain for future reference.

IMPORTANT SAFETY INFORMATION

When using electrical appliances basic safety precautions should always be followed.

- To prevent fire or shock hazard, do not expose this product to rain or moisture.
- Check that the power supply matches the mains voltage.
- Only use the power supply provided or one of identical specification.
- Ensure the IR remote extender cables are connected to the correct devices.
- Beware of static electricity which may damage the device. Use ESD precautions when installing.
- Do not plug or unplug cables while the devices are powered on.

WHAT'S INCLUDED

- HDMI Extender and Receiver
- 2 x Power Adapter 230VAC to 5VDC 1A
- Operation Manual
- USB Cable

FEATURES

- Supports up to 1080p@60Hz.
- Transmission up to 70 metres using Cat6/6A/7.
- HDMI 1.3 and HDCP 1.4 compliant.
- Supports KVM remote control and management.
- Audio formats supported: PCM, LPCM, DTS HD, DTS Audio.

CAT CABLE REQUIREMENT

Follow the standard of IEEE-568B, It is recommended to select a high quality network cable with less loss and crosstalk.

- | | |
|----------------|---------------|
| 1 orange/white | 5 Blue/white |
| 2 orange | 6 Green |
| 3 Green/white | 7 Brown/white |
| 4 Blue | 8 Brown |

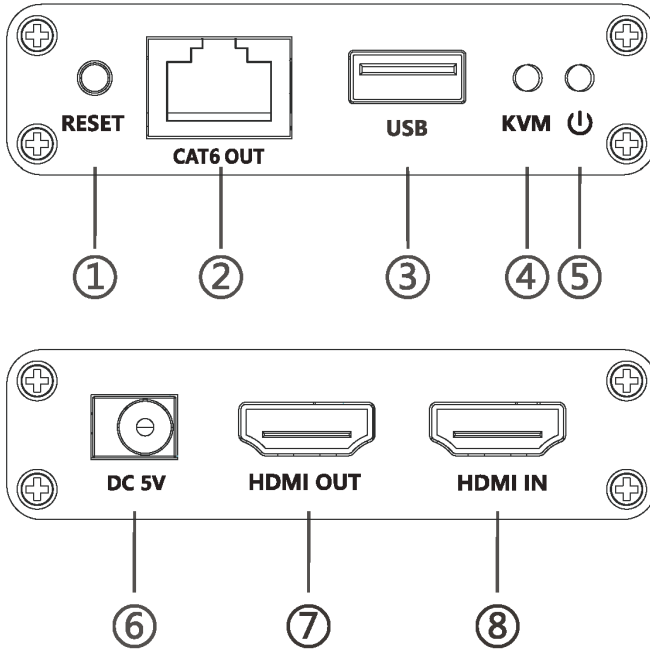


OVERVIEW

- This HDMI Extender allows a signal over a CAT6/6A/7 up to 70 metres.
- The source PC can be controlled via USB mouse and keyboard connected to the remote receiver.

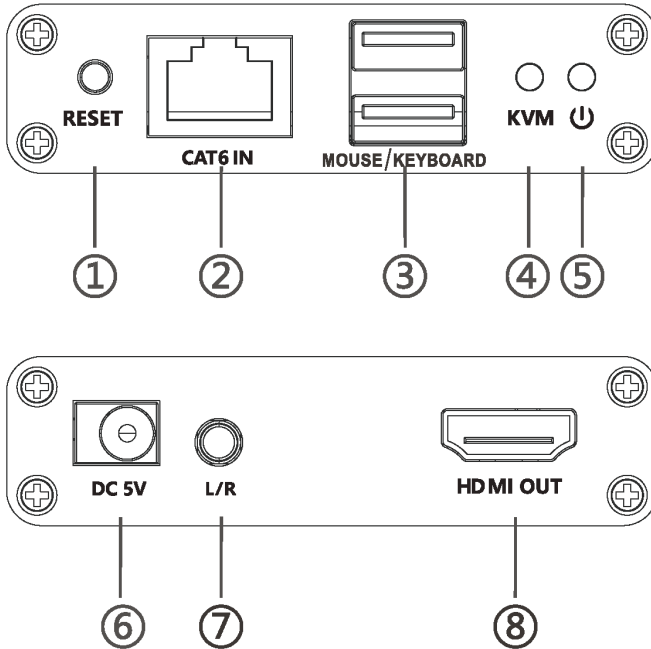
INSTALLATION

TRANSMITTER



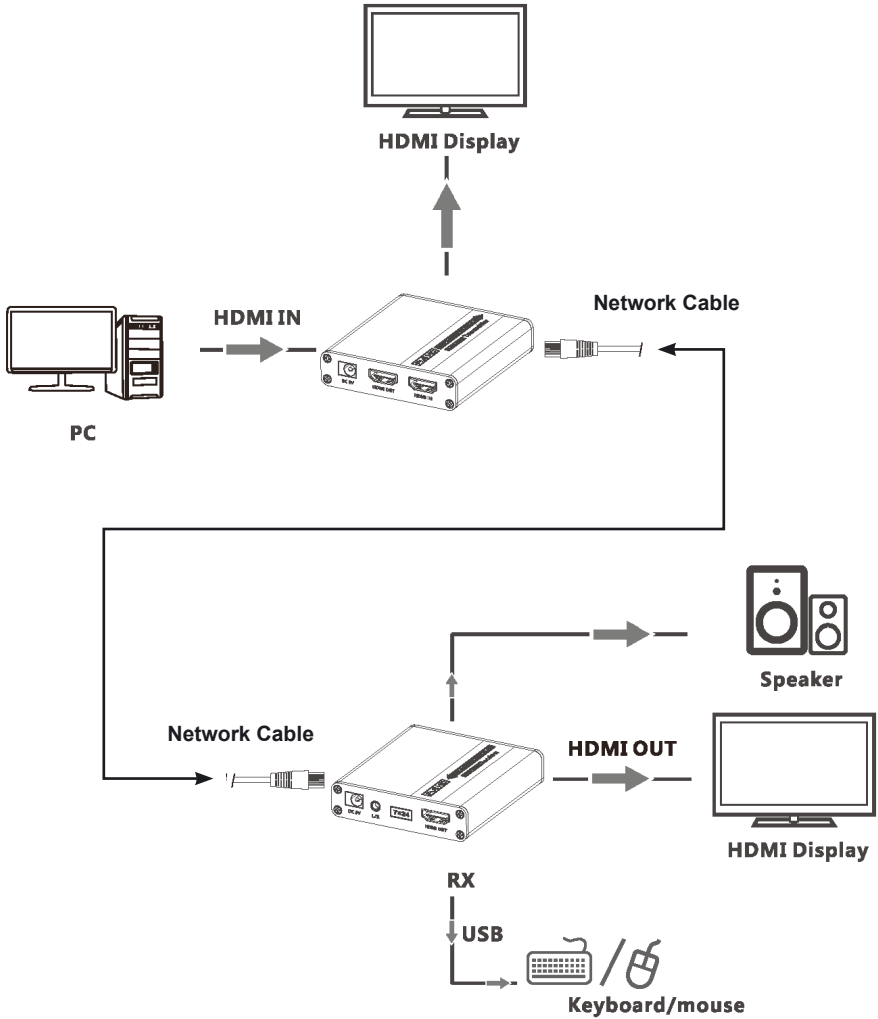
1. Reset button - press to reset the device.
2. RJ45 signal output - connect CAT network cable.
3. USB connector to interface with PC.
4. KVM indicator - illuminates when a PC is connected.
5. Power/transmission LED indicator.
6. DC 5V input - connect supplied 240V mains PSU DC output.
7. HDMI output - connect to a local display monitor.
8. HDMI input - connect to a source device.

RECEIVER



1. Reset button - press to reset the device.
2. RJ45 signal input - connect CAT network cable.
3. USB ports - connect a mouse and keyboard to control the source device.
4. KVM indicator - illuminates when a PC is connected.
5. Power/transmission LED indicator.
6. DC 5V input - connect supplied 240V mains PSU DC output.
7. Audio output - connect using 3.5mm jack to amplifier or headphones.
8. HDMI input - connect to a display device.

OPERATION



NOTE: When using the 3.5mm stereo audio output please switch the audio output to PCM format.

SPECIFICATIONS

Voltage/Current	DC 5V 1A
Power consumption	TX: <2.5W RX: <2.5W
HDMI compliance	HDMI 1.3
HDCP compliance	HDCP 1.4
Video bandwidth	10.2Gbps
HDMI input resolution	800x600, 1024x768, 1280x720 1280x960, 1366x768, 1440x900 1680x1050, 1920x1080, 480i@60Hz 480p@60Hz, 576i@50Hz 576p@50Hz, 720p@50/60Hz 1080i@50/60Hz 1080p@24/25/30/50/60Hz
Supported audio formats	PCM, LPCM, DTS HD, DTS Audio
Input and output TMDS signal	0.7~1.2Vp-p (TMDS)
Input and output DDC signal	5Vp-p (TTL)
Transmission length	CAT6/6A/7 Transmission 70 meters
Input/output cable length	<8m (AWG24)
Transfer method	Over UTP/STP CAT6/6A/7
Connector	RJ45
Working temperature	-20~60°C
Storage temperature	-30~ 70°C
Humidity	0~90%RH (no condensation)
Dimension (RX & TX)	80.0(L) x 75.0(W) x 20.0(H)mm
Material	Alloy
Weight	TX & RX 200g each

CLEANING & MAINTENANCE

Clean the outside casing with a soft cloth lightly moistened with mild soap and water. Never use any abrasive or solvents.

CPC Farnell declares that the radio equipment for wireless transmitter/receivers is in compliance with Radio Equipment Directive 2014/53/EU



INFORMATION ON WASTE DISPOSAL FOR CONSUMERS OF ELECTRICAL & ELECTRONIC EQUIPMENT.

When this product has reached the end of its life it must be treated as Waste Electrical & Electronic Equipment (WEEE). Any WEEE marked products must not be mixed with general household waste, but kept separate for the treatment, recovery and recycling of the materials used. Contact your local authority for details of recycling schemes in your area.

Made in China.
PO Box 13362 Dublin 2
PR2 9PP

Man Rev 1.0