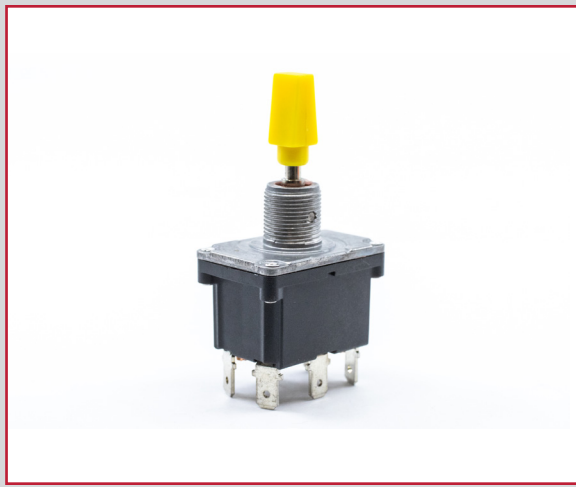
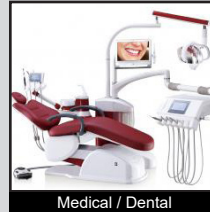


ST4 SERIES TOGGLE SWITCH

ANTI-VANDAL SWITCHES
DETECTOR SWITCHES
DIP SWITCHES
KEYLOCK SWITCHES
NAVIGATION SWITCHES
PUSHBUTTON SWITCHES
ROCKER SWITCHES
ROTARY SWITCHES
SLIDE SWITCHES
SNAP ACTION SWITCHES
TACTILE SWITCHES
TOGGLE SWITCHES
CAP OPTIONS



APPLICATIONS / MARKETS



RoHS

SPECIFICATIONS

Contact Rating: 16(8)A 125/250VAC μ T55
20(8)A 125/250VAC μ T55
20A 6-30VDC μ T55

Electrical Life: 10,000 Cycles

Contact Resistance: 50m Ω Max. initial

Insulation Resistance: 50M Ω Min.

Dielectric Strength: 1500V RMS

Operating Temperature: -10°C to 55°C

Storage Temperature: -10°C to 65°C

Circuit Function: SP or DP
2 or 3 Position

Agency Approvals: cURus

Moisture Protection: IP68

Panel Thickness: 1-8mm

FEATURES & BENEFITS

- Multiple termination options
- Single or double pole
- Available in both 2 or 3 position circuits
- Multiple Actuator options

PART NUMBER CONFIGURATOR

Series	No. of Poles	Function	Rating	Actuator	Termination
<input type="checkbox"/> <input type="checkbox"/> <input type="checkbox"/> ST4	<input type="checkbox"/> S - Single Pole D - Double Pole	<input type="checkbox"/> <input type="checkbox"/> <input type="checkbox"/> P1 - OFF - (ON) P2 - OFF - ON P3 - ON - ON P4 - (OFF) - ON P5 - (ON) - OFF P6 - (ON) - ON P7 - ON - (ON) P8 - ON - OFF - ON P9 - ON - OFF - (ON) P10 - (ON) - OFF - (ON)	<input type="checkbox"/> A - 16(8)A 125/250VAC μ T55 B - 20(8)A 125/250VAC μ T55 D - 20A 6-30VDC μ T55	<input type="checkbox"/> <input type="checkbox"/> T1 - 17mm Metal Bat T2 - 22mm Plastic Bat	<input type="checkbox"/> <input type="checkbox"/> C1 - 3/16 Quick Connect C2 - 1/4 Quick Connect S1 - Solder Lug S2 - Screw Terminal

* () denotes momentary

Specifications subject to change without notice 6.9.2021



E-SWITCH®

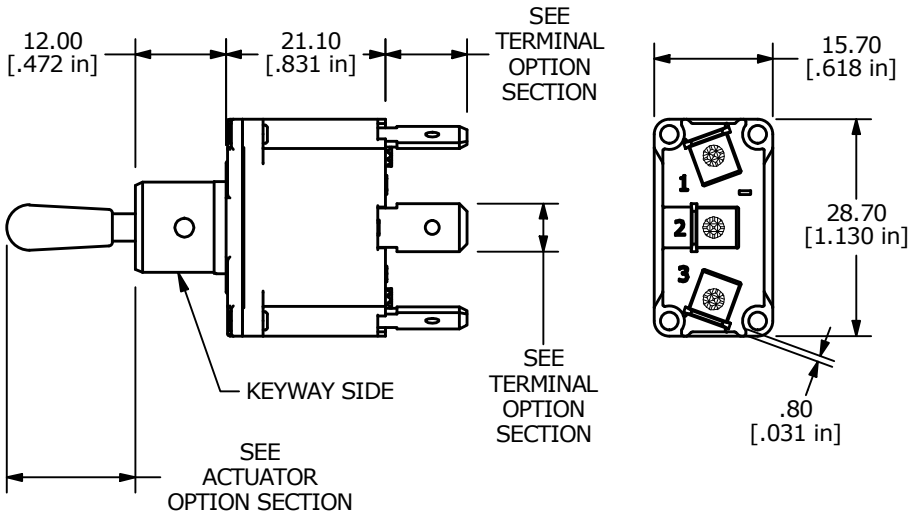
www.e-switch.com

800.867.2717

1

ST4 SERIES TOGGLE SWITCH

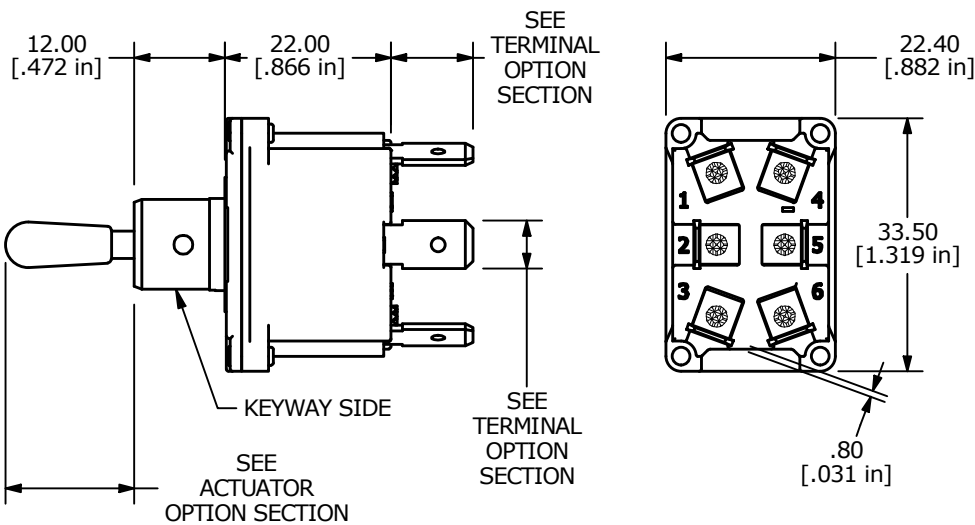
No. of Pole AND FUNCTION OPTIONS



S - SINGLE POLE

FUNCTION	POS. 1	POS. 2	POS. 3
P1	OFF	N/A	(ON)
P2	OFF	N/A	ON
P3	ON	N/A	ON
P4	(OFF)	N/A	ON
P5	(ON)	N/A	OFF
P6	(ON)	N/A	ON
P7	ON	N/A	(ON)
P8	ON	OFF	ON
P9	ON	OFF	(ON)
P10	(ON)	OFF	(ON)
TERMINAL CLOSURE	1-2	OPEN	2-3

() = MOMENTARY



D - DOUBLE POLE

FUNCTION	POS. 1	POS. 2	POS. 3
P1	OFF	N/A	(ON)
P2	OFF	N/A	ON
P3	ON	N/A	ON
P4	(OFF)	N/A	ON
P5	(ON)	N/A	OFF
P6	(ON)	N/A	ON
P7	ON	N/A	(ON)
P8	ON	OFF	ON
P9	ON	OFF	(ON)
P10	(ON)	OFF	(ON)
TERMINAL CLOSURE	1-2, 4-5	OPEN	2-3, 5-6

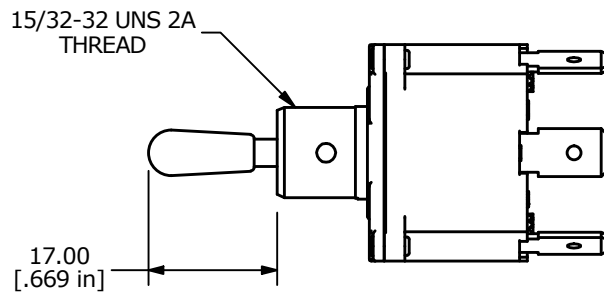
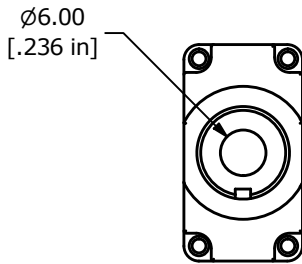
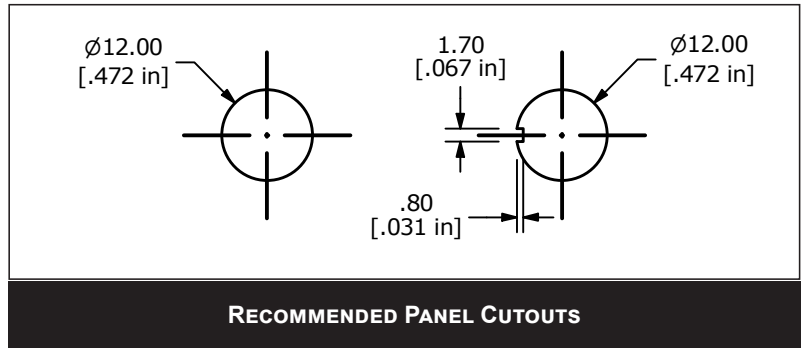
() = MOMENTARY



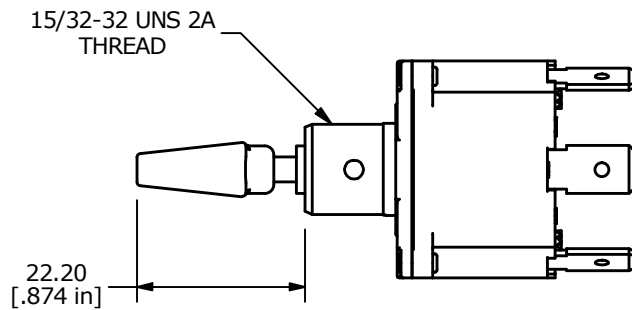
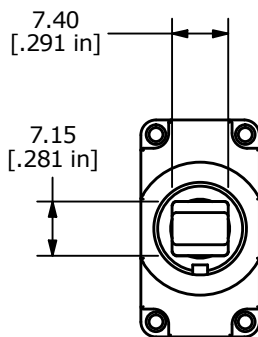
ST4 SERIES TOGGLE SWITCH

ACTUATOR OPTIONS

- ANTI-VANDAL SWITCHES
- DETECTOR SWITCHES
- DIP SWITCHES
- KEYLOCK SWITCHES
- NAVIGATION SWITCHES
- PUSHBUTTON SWITCHES
- ROCKER SWITCHES
- ROTARY SWITCHES
- SLIDE SWITCHES
- SNAP ACTION SWITCHES
- TACTILE SWITCHES
- TOGGLE SWITCHES**
- CAP OPTIONS



T1 = 17mm METAL BAT

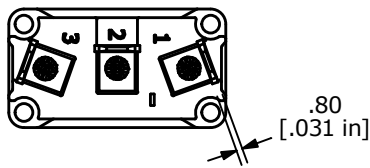
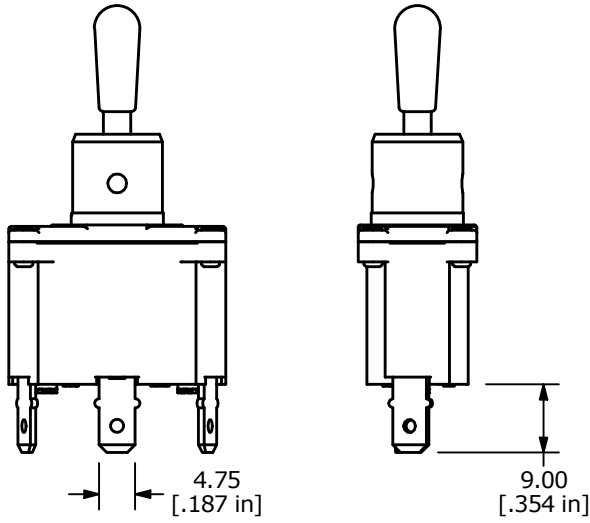


T2 = 22mm PLASTIC BAT

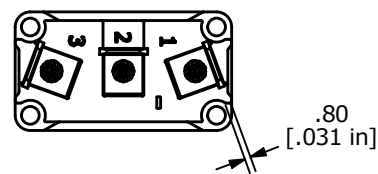
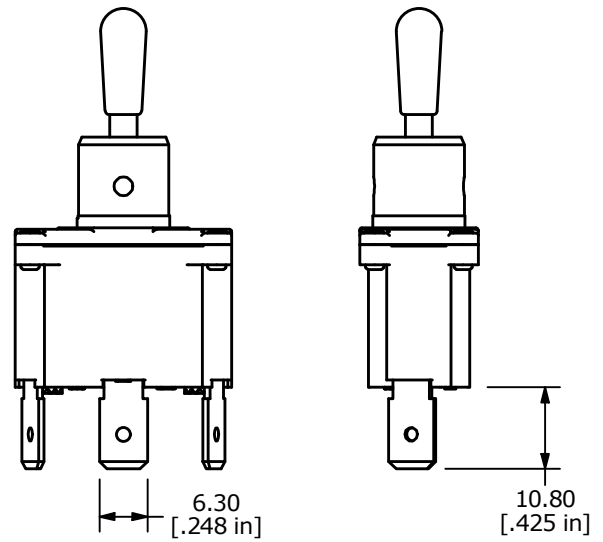


ST4 SERIES TOGGLE SWITCH

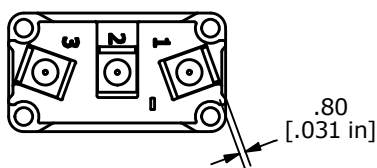
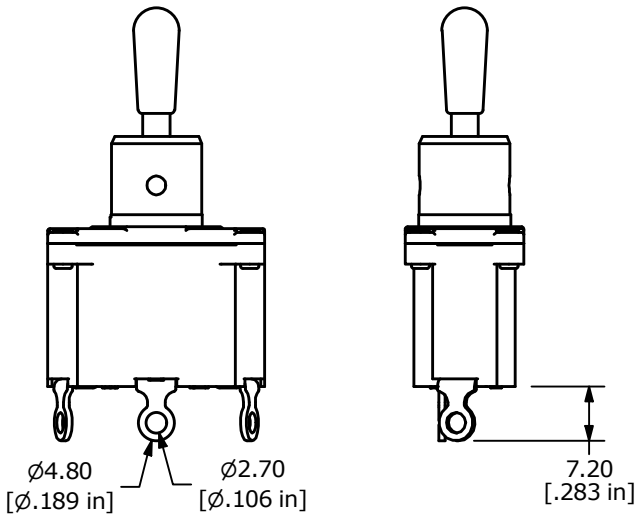
TERMINAL OPTIONS



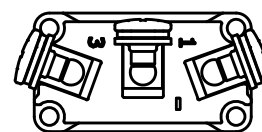
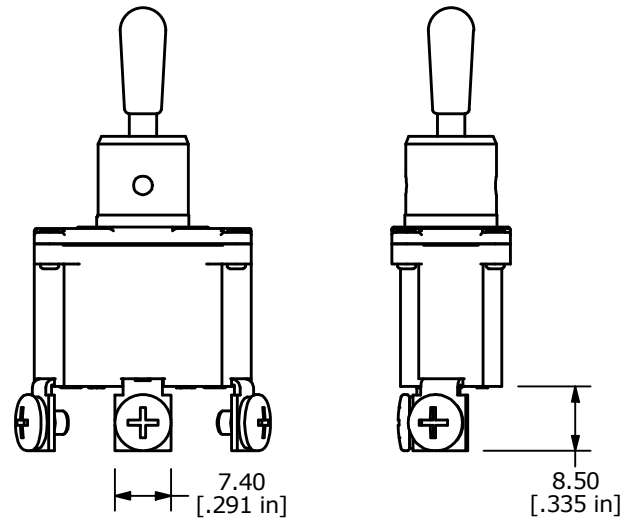
C1 = 3/16 QUICK CONNECT



C2 = 1/4 QUICK CONNECT



S1 = SOLDER LUG



S2 = SCREW TERMINAL

ANTI-VANDAL SWITCHES
 DETECTOR SWITCHES
 DIP SWITCHES
 KEYLOCK SWITCHES
 NAVIGATION SWITCHES
 PUSHBUTTON SWITCHES
 ROCKER SWITCHES
 ROTARY SWITCHES
 SLIDE SWITCHES
 SNAP ACTION SWITCHES
 TACTILE SWITCHES
TOGGLE SWITCHES
 CAP OPTIONS

