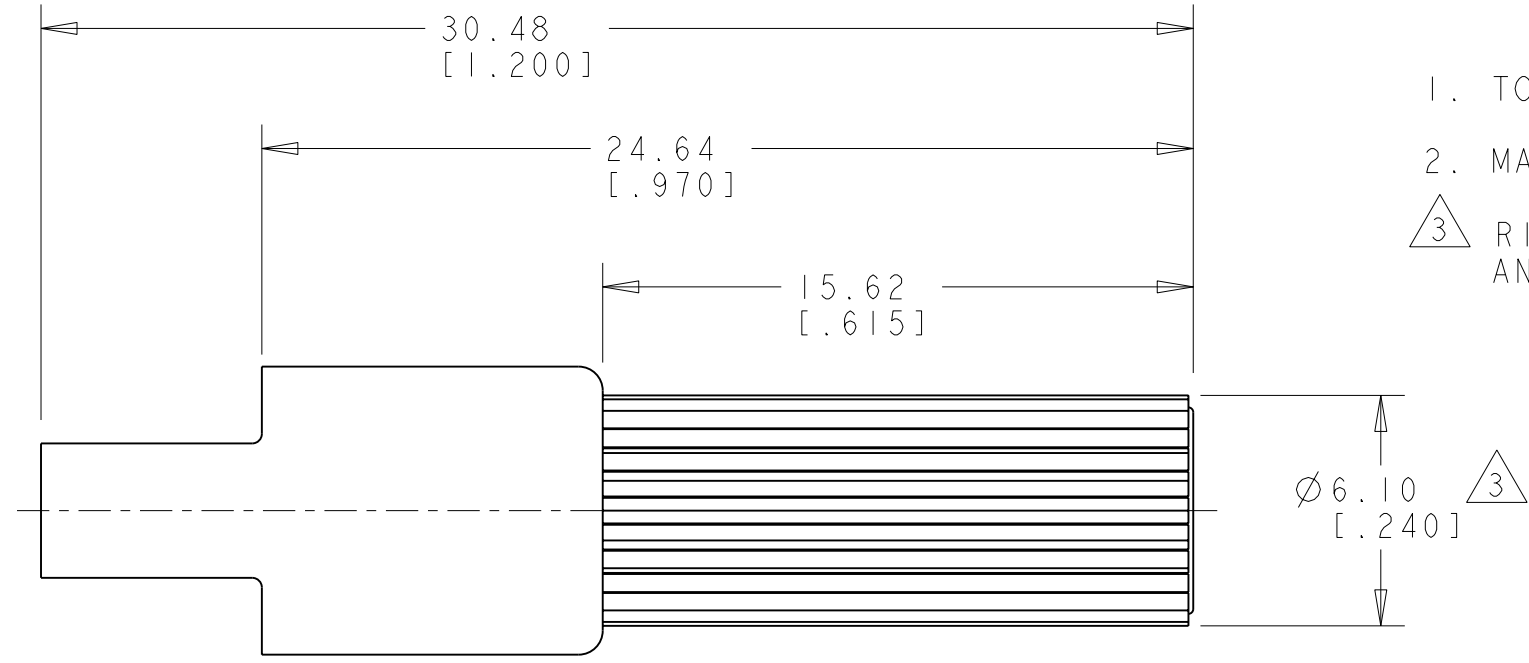
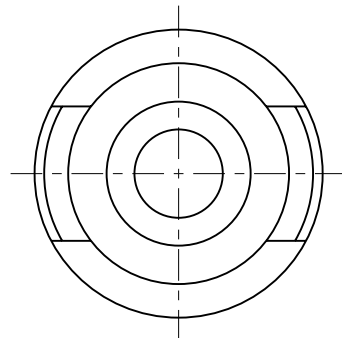
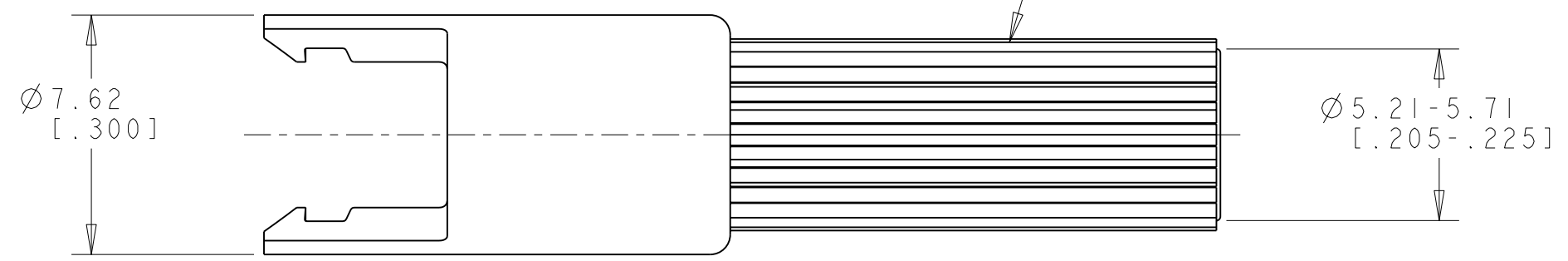


LOC CM DIST 00

REVISIONS					
P	LTR	DESCRIPTION	DATE	DWN	APVD
	L	REVISED PER 0G3B-0652-03	09-OCT-03	SH	DC
	M	REVISED PER ECO-05-012615	27JAN06	KW	DC



1. TO BE USED WITH MATE-N-LOK™ PINS
 2. MATES WITH PLUG 480349.
- △3 RIBS ARE OPTIONAL CONSTRUCTION AND MAY NOT APPEAR ON PART.



RED	1-480350-2
NATURAL	1-480350-0
COLOR	PART NUMBER

METRIC

<small>THIS DRAWING IS A CONTROLLED DOCUMENT FOR TYCO ELECTRONICS CORPORATION IT IS SUBJECT TO CHANGE AND THE CONTROLLING ENGINEERING ORGANIZATION SHOULD BE CONTACTED FOR THE LATEST REVISION.</small>	
DIMENSIONS: mm [INCHES]	TOLERANCES UNLESS OTHERWISE SPECIFIED:
	0 PLC ±
	1 PLC ±
	2 PLC ±0.13 [.005]
	3 PLC ±
	4 PLC ±
	ANGLES ±
MATERIAL NYLON, 94V-2	FINISH

DWN K. WHITAKER 22-MAR-2002	Tyco Electronics Harrisburg, PA 17105-3608
CHK D. COLEY 22-MAR-2002	
APVD D. COLEY 22-MAR-2002	
PRODUCT SPEC	NAME CAP, SINGLE CIRCUIT, COMMERCIAL MATE-N-LOK(TM)
APPLICATION SPEC	SIZE A3
WEIGHT	CAGE CODE 00779
CUSTOMER DRAWING	DRAWING NO G-480350
	RESTRICTED TO
SCALE 5:1	SHEET 1 OF 1
	REV M