

Features

- Faster termination time
- No need for screwdriver and torque wrench
- Spring Termination eliminates strand relaxation
- Funnel shaped wire entry for ease of termination.
- Superior cord grip design protects terminations from excess strain



Ordering Information

Description	Cord Diameter	UPC Number	Catalog Number
Black and white nylon.	350"-1.150" (9-29) 7	78358568152	HBL2521ST

Listings

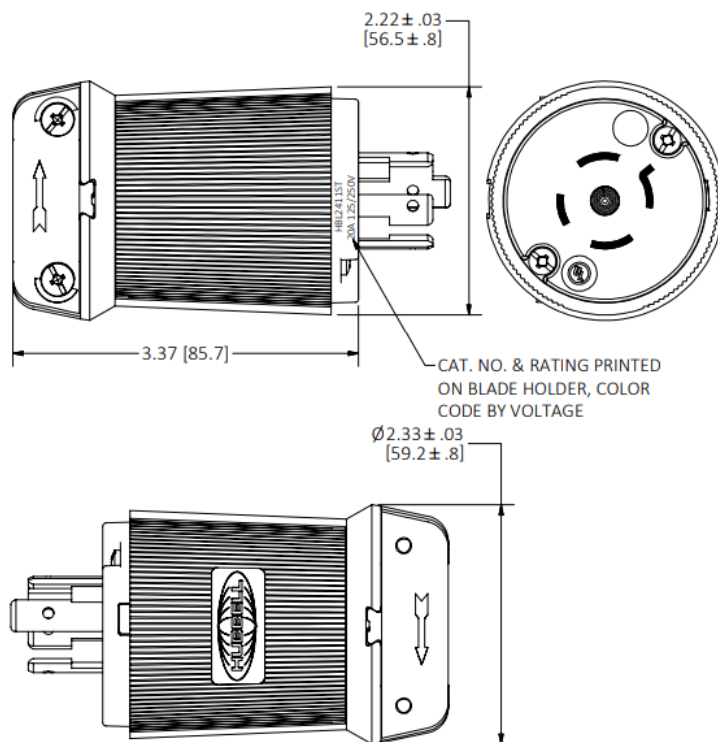
Listed to UL 498
 Fed.Spec. W-C-596
 Certified to CSA C22.2 No.42

Specifications

Housing / Cord Clamp	Nylon
Terminal Retainer	Nylon
Plunger	Nylon
Blades	Copper Alloy
Terminal Spring Clamp	Spring Steel
Assembly Screws	Zinc Plated Tri-drive
Weight (lbs)	0.35

Performance

Electrical	
Current Interrupting	Certified for current interrupting at full rated current
Dielectric Voltage	Withstands 3,000V minimum
Mechanical	
Terminal Accommodation	#14 AWG - #8 AWG stranded copper wire only
Terminal Identification	Terminals identified in accordance with UL 498
Environmental	
Flammability	HB or better per UL94/CSA 22.2 No.0.17
Moisture Resistance	IP20 Suitability
Operating Temperatures	Maximum Continuous 75°C, Minimum -40°C (w/o impact)



Online Resources

eCatalog