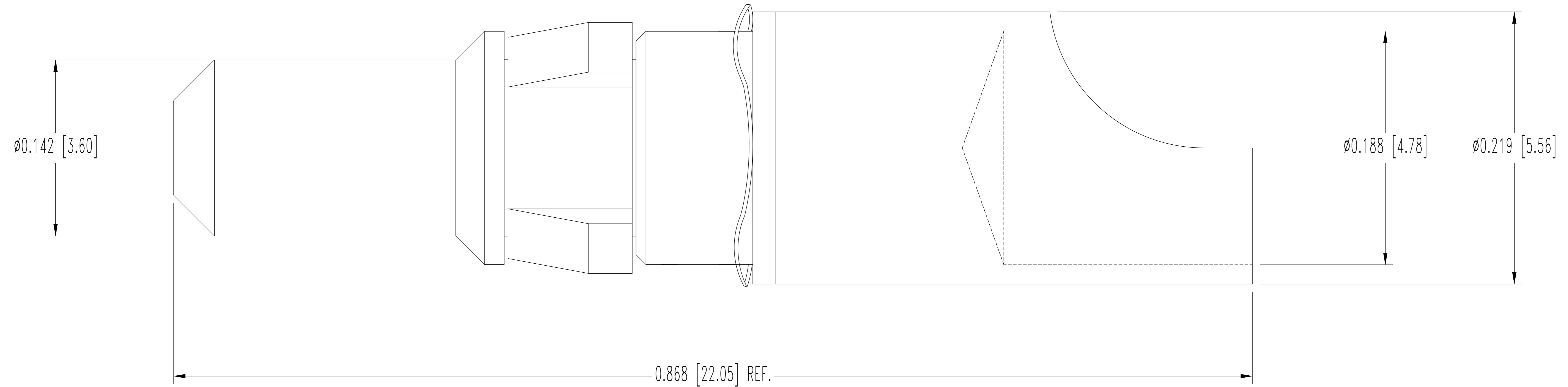


SK4155

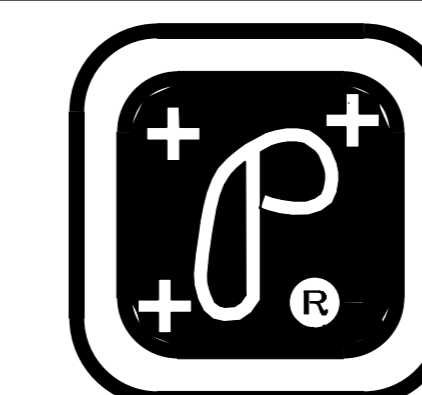
DATE	REV	REVISION RECORD	APP	DR	CK
1-30-02	NC	ECO 18904		JLG	

THIS DRAWING CONTAINS INFORMATION PROPRIETARY TO POSITRONIC AND ITS SUBSIDIARIES. POSITRONIC BELIEVES THE DATA ON THIS DRAWING TO BE RELIABLE, SINCE THE TECHNICAL INFORMATION IS GIVEN FREE OF CHARGE, THE USER EMPLOYS SUCH INFORMATION AT HIS OWN DISCRETION AND RISK. POSITRONIC ASSUMES NO RESPONSIBILITY FOR RESULTS OBTAINED OR DAMAGES INCURRED FROM USE OF SUCH INFORMATION IN WHOLE OR IN PART.



NOTES:

- MATERIAL AND FINISH: HIGH CONDUCTIVITY COPPER ALLOY, 0.000030 [0.75 μ] GOLD OVER NICKEL OVER COPPER.
- ELECTRICAL CHARACTERISTICS:
 CONTACT CURRENT RATING: 40 AMPERES NOMINAL.
 INITIAL CONTACT RESISTANCE: 0.005 OHMS MAXIMUM.
 PROOF VOLTAGE: 1,000 V r.m.s.
- DIMENSIONS ARE IN INCHES [MILLIMETERS].



POSITRONIC INDUSTRIES INC.
 SPRINGFIELD, MISSOURI 65801

 DECIMAL TOL. ± 0.015 [0.38]	CBD SERIES	SCALE N.T.S.	DRAWN BY J. GREEN
		APPROVED BY	
WF # 4308	TITLE MS4008D-14		
ANGULAR TOL. $\pm 5^\circ$	DATE 1-30-02	DRAWING NUMBER SK4155	REV. NC