

**PLEASE CHECK WWW.MOLEX.COM FOR LATEST PART INFORMATION**

**Part Number:** [1210230466](#)

**Status:** **Active**

**Overview:** mPm DIN Valve Connectors

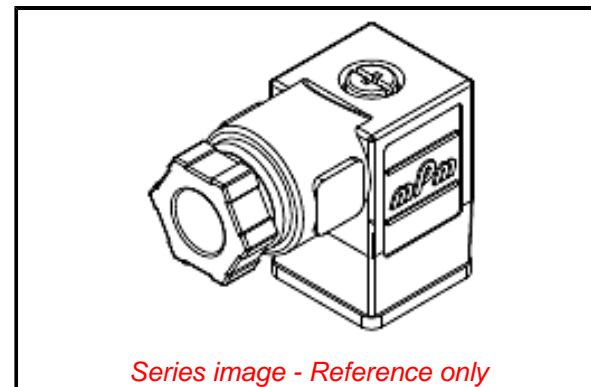
**Description:** mPm DIN Valve Connector, Form C-Micro 9.4mm, PG7 Internal Threads, 3 Pole Plus Ground Terminal, 250V AC/300V DC, Black, Nitrile Profiled Gasket and Screw, Bulk Pack Mounted

**Documents:**

[Drawing \(PDF\)](#)

[RoHS Certificate of Compliance \(PDF\)](#)

[Packaging Specification PK-121023-C19-001 \(PDF\)](#)



*Series image - Reference only*

**General**

Product Family	Field Attachable / Accessories
Series	<a href="#">121023</a>
Form	C - Micro 9.4mm
IP Rating	IP65, IP67
Material - Contact	Brass
Overview	<a href="#">mPm DIN Valve Connectors</a>
Product Name	mPm
Taxonomy	Circular Industrial Connectors
Type	Field Attachable Connector
UPC	883906249083

**Physical**

Cable Diameter	N/A
Coupling Type	Internal Thread
Diagnostics / LEDs	No
Diagnostics Port	No
Gender	N/A
Keyway	None
Material - Connector Body	Polypropylene
Material - Coupling Nut	N/A
Material - Plating Mating	Silver
Orientation	90° Angle
Pitch - Mating Interface	9.40mm
Poles	3
Temperature Range - Operating	-40°C to +90°C
Wire Size AWG	N/A

**Electrical**

Current - Maximum per Contact	16.0A
Voltage - Maximum	250V AC / 300V DC

**Material Info**

Engineering Number	C19307N61
--------------------	-----------

**Reference - Drawing Numbers**

Packaging Specification	PK-121023-C19-001
Sales Drawing	SD-121023-005-001

**EU ELV**

**Not Relevant**

**EU RoHS**

**Compliant with Exemption 6(c)**

**REACH SVHC**

Contained Per - D(2022)4187-DC (10 June 2022)

Lead

**Halogen-Free**

**Status**

**Low-Halogen**

For more information, please visit [Contact US](#)

China ROHS

50 Image

ELV

Not Relevant

RoHS Phthalates

Not Contained

**Search Parts in this Series**

[121023 Series](#)