

RoHS
Compliant



Description

The major benefits of the USB4 includes faster transfer speeds (up to 40 Gbit/s), a better management of video bandwidth (using a process called “protocol tunneling” that sends DisplayPort, PCIe and USB packets at the same time while allocating bandwidth accordingly) and optional compatibility with Thunderbolt 3 products.

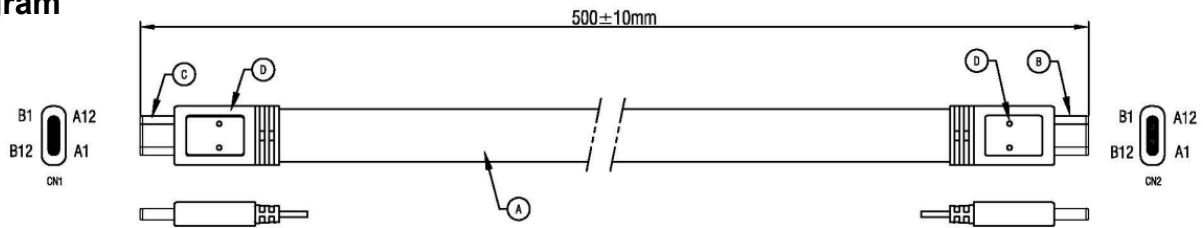
Features

- High quality USB4 Gen 3 cable with improved shielding
- With the reversible Type C connectors at both ends
- Gold-plated contacts for low wear at high plugging cycles
- Suitable for data transfer rates of up to 40 Gbit/s
- Supports USB Power Delivery to 20V / 5A
- Flat design

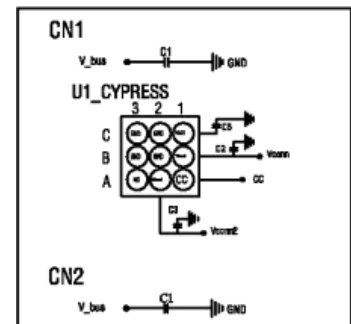
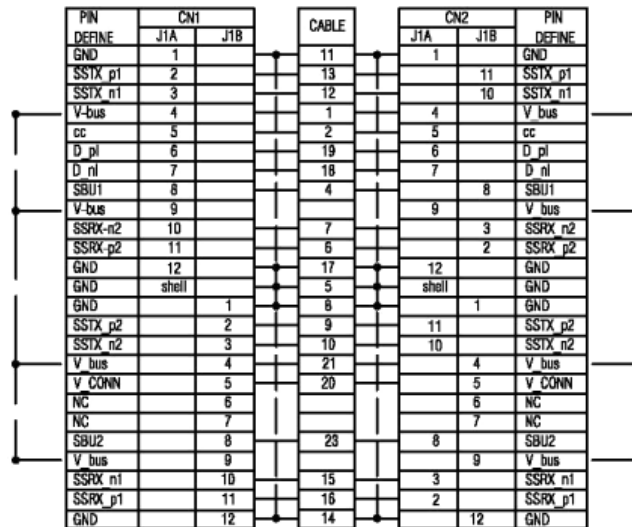
Specifications

Product type	USB 4 Cable
Colour	Black
Length	0.5m
Transfer quality	USB4 Gen3 40 Gbit/s
Connection ports	USB Type C (USB-C) Male / USB Type C (USB-C) Male
Side 1 Connector Type	USB Type C (USB-C)
Side 1 Connector Gender	Male
Side 2 Connector Type	USB Type C (USB-C)
Side 2 Connector Gender	Male
Ribbon cable	Yes
Area of application	External
Cable shielding	Screened
Hand locking screws	No
Height of packaging (single piece)	10mm
Width of packaging (single piece)	30mm
Depth of packaging (single piece)	30mm
Package weight (single piece)	0.036kg

Diagram



Dimensions : Millimetres



No	Specification Description	Q'ty	Unit
1	UL, 30AWG, 21C, Black PE Jacket	1	pcs
2	Type C Male (Black Insulator, Nickel Plated)	1	pcs
3	Type C Male (Black Insulator, Nickel Plated)+IC:EZ-PD CMG1	1	pcs
4	45P PVC Black	-	g

Note

- Support USB4, TB3, 40G, USB 3.2 Gen 2 × 2 20G & USB 3.2 Gen 2 10G, apply to Alternate mode such as PCIe, DP..., etc.
- VCC Power supports 20V/5A 100W Max.
- UL wire type number is adjustable for production, depend on the availability of raw material available wire type: UI 21099, UL 21283, UL 21425 or UL 22112 equivalent

Part Number Table

Description	Part Number
USB Cable, USB4, Type C to Type C Plug, Flat, Black, 0.5m	MP010440

Important Notice : This data sheet and its contents (the "Information") belong to the members of the AVNET group of companies (the "Group") or are licensed to it. No licence is granted for the use of it other than for information purposes in connection with the products to which it relates. No licence of any intellectual property rights is granted. The Information is subject to change without notice and replaces all data sheets previously supplied. The Information supplied is believed to be accurate but the Group assumes no responsibility for its accuracy or completeness, any error in or omission from it or for any use made of it. Users of this data sheet should check for themselves the Information and the suitability of the products for their purpose and not make any assumptions based on information included or omitted. Liability for loss or damage resulting from any reliance on the Information or use of it (including liability resulting from negligence or where the Group was aware of the possibility of such loss or damage arising) is excluded. This will not operate to limit or restrict the Group's liability for death or personal injury resulting from its negligence. Multicomp Pro is the registered trademark of Premier Farnell Limited 2019.