

# CSTNE14M7V510000R0

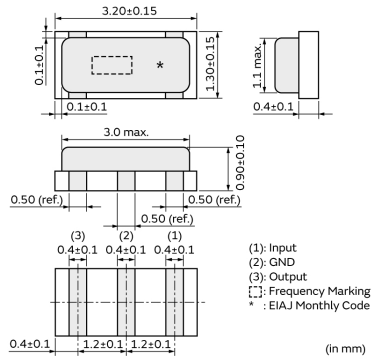
In Production

Recommended

RoHS

REACH

## Appearance & Shape



## Features

MURATA's package technology expertise has enabled the development of the Chip CERLOCK(R) with built-in load capacitors. High-density mounting is made possible by the small package and the elimination of the need for an external load capacitor.

### Features

1. Oscillation circuits do not require external load capacitors.
2. Available for a wide frequency range.
3. Extremely small and have a low profile.
4. No adjustment is necessary for oscillation circuits.
5. Stable supply is ensured due to not using precious metal(Palladium).

## Applications

|             |                     |
|-------------|---------------------|
| Other Usage | Consumer/Industrial |
|-------------|---------------------|

## Packaging Information

| Packaging | Specifications      | Standard Packing Quantity |
|-----------|---------------------|---------------------------|
| R0        | 180mm Embossed Tape | 3000                      |

### Attention

1. This datasheet is downloaded from the website of Murata Manufacturing Co., Ltd. Therefore, its specifications are subject to change or our products in it may be discontinued without advance notice. Please check with our sales representatives or product engineers before ordering.
2. This datasheet has only typical specifications because there is no space for detailed specifications. Therefore, please review our product specifications or consult the approval sheet for product specifications before ordering.

# CSTNE14M7V510000R0



## Specifications

|                                     |                              |
|-------------------------------------|------------------------------|
| Product Type                        | Ceramic Resonator (CERALOCK) |
| Series                              | CSTNE_V                      |
| Frequency                           | 14.746MHz                    |
| Frequency Tolerance                 | +/-0.50% max.                |
| Operating Temperature Range         | -40°C~85°C                   |
| Frequency Shift by Temperature      | +/-0.30% max.                |
| Frequency Aging                     | +/-0.20% max.                |
| Resonant Impedance (R1)             | 40ohm max.                   |
| Built-in Load Capacitance (CL1/CL2) | 5pF                          |
| Shape                               | SMD                          |
| Wash                                | Not available                |
| L x W (size)                        | 3.2x1.3mm                    |
| Mass                                | 12.56mg                      |

### Attention

1.This datasheet is downloaded from the website of Murata Manufacturing Co., Ltd. Therefore, it's specifications are subject to change or our products in it may be discontinued without advance notice. Please check with our sales representatives or product engineers before ordering.

2.This datasheet has only typical specifications because there is no space for detailed specifications.

Therefore, please review our product specifications or consult the approval sheet for product specifications before ordering.