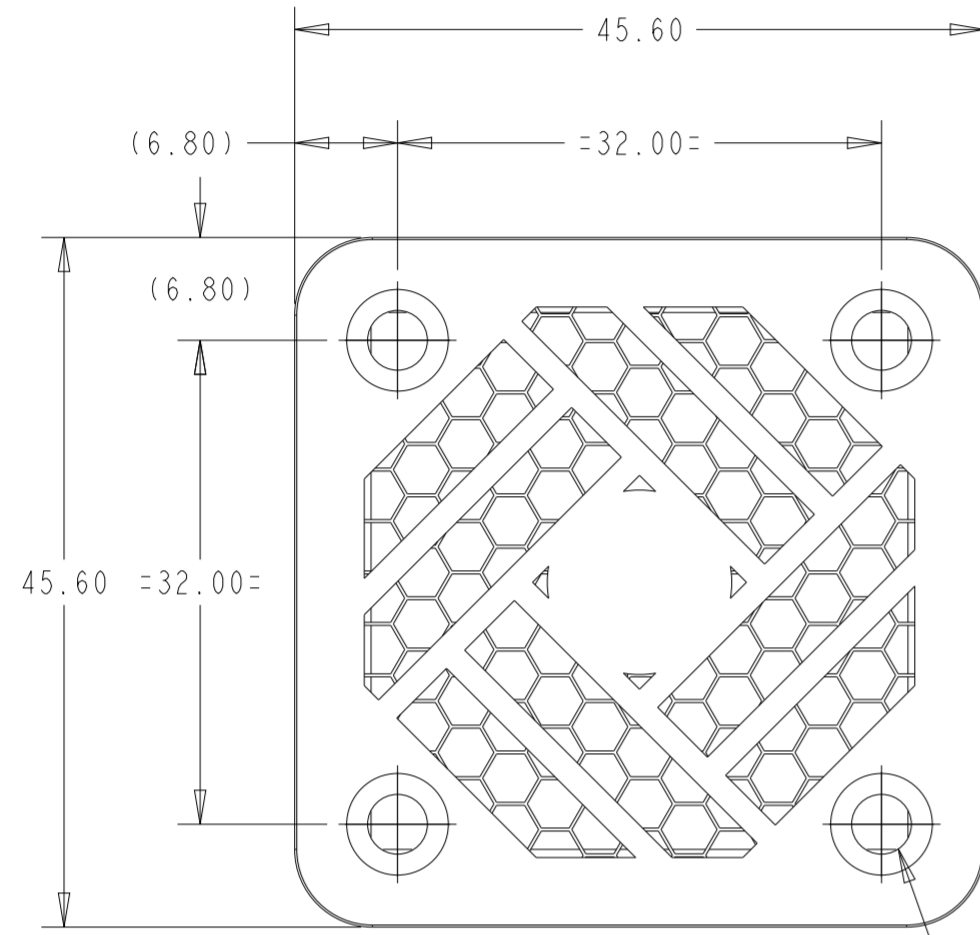
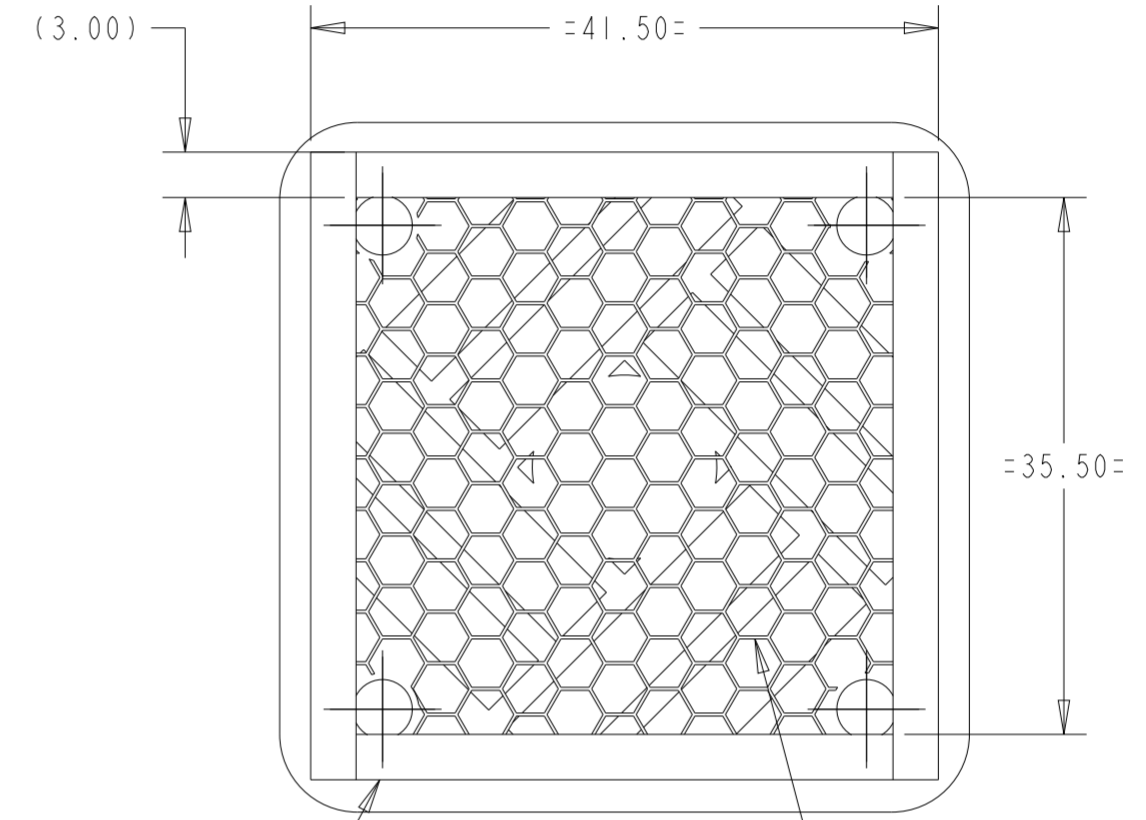
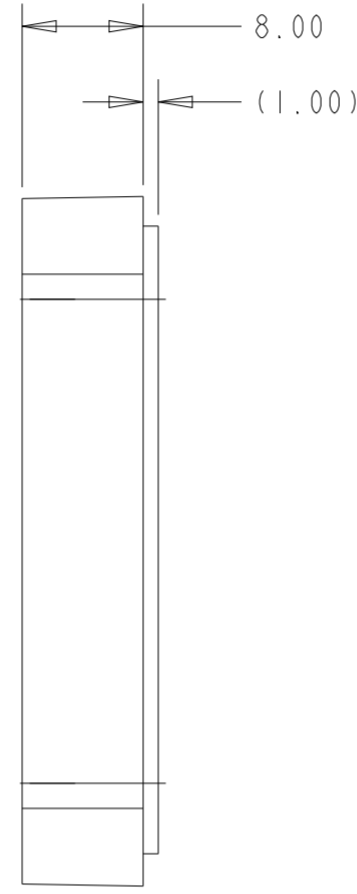


P	LTR	DESCRIPTION	DATE	DWN	APVD
A		NEW DRAWING	07SEP2022	BDA	DH
AI		MATERIAL INFO. UPDATED	02NOV2022	BDA	DH

GENERAL TOLERANCES:  
 LINEAR: ±0.8  
 HOLE CENTRES: ± 0.5  
 ANGULAR: ±0.5°

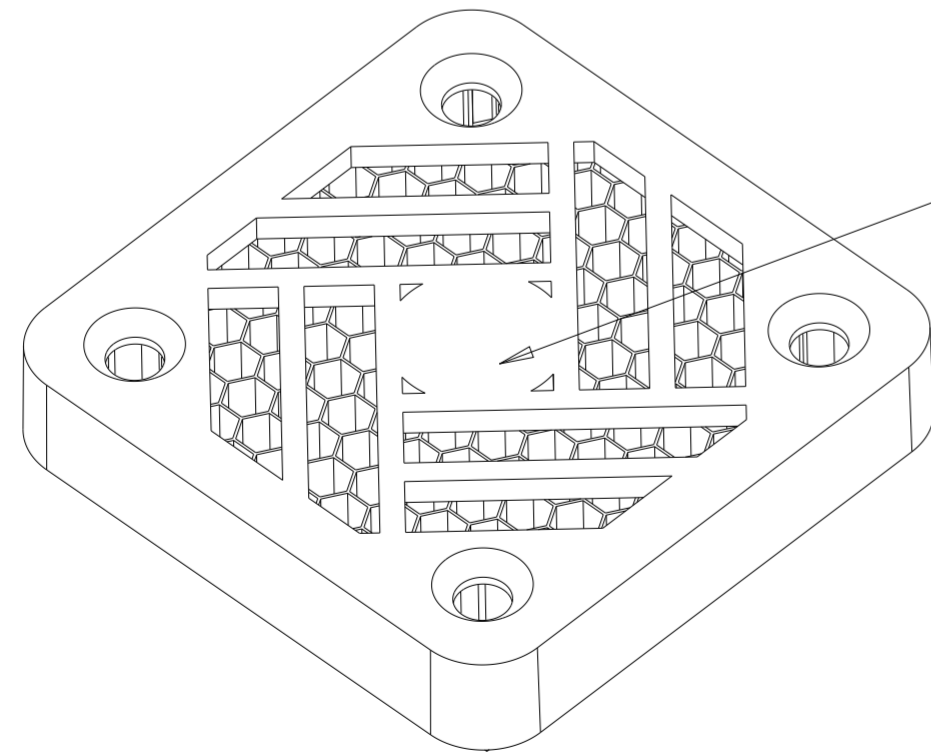


4 X Ø4 THRU ALL  
 √Ø 6.72 X 90°



4 X NICKEL/COPPER FABRIC  
 CONDUCTIVE STRIP

1 LAYER 3.18 CELL X 6.35 THK  
 ALUMINIUM 5052 HONEYCOMB  
 SURTEC 650 FINISH



ISOMETRIC VIEW (NTS)

THE VENT BODY DESIGN  
 & OBSTRUCTED AREA  
 MAY VARY

HIGH IMPACT ABS	KEMVENT40	2430084-1
MATERIAL	ALIAS PART NUMBER	PART NUMBER

THIS DRAWING IS A CONTROLLED DOCUMENT.		DWN 07SEP2022 BASAVARAJA D A	TE Connectivity		
DIMENSIONS: mm		CHK 07SEP2022 B SELVAPANDIAN			NAME KEM_1651-KEMVENT_40
TOLERANCES UNLESS OTHERWISE SPECIFIED: 0 PLC ±.1 1 PLC ±0.1 2 PLC ±0.07 3 PLC ±0.001 4 PLC ±0.0001 ANGLES ±		APVD 07SEP2022 D HEMMINGS			PRODUCT SPEC -
MATERIAL SEE TABLE		APPLICATION SPEC -			WEIGHT -
		CUSTOMER DRAWING	SIZE A2	CAGE CODE 00779	
			DRAWING NO KEM_1651-KEMVENT_40	RESTRICTED TO -	
			SCALE 2:1	SHEET 1 OF 1	
			REV A1		