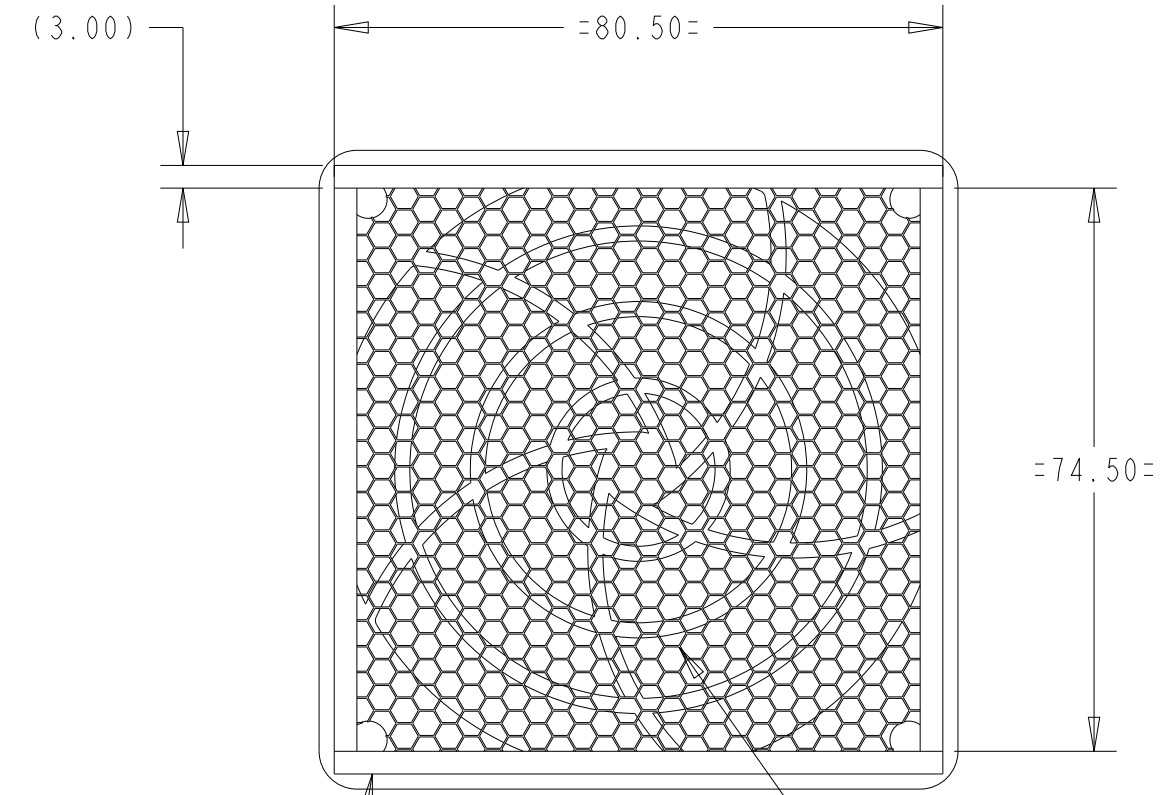
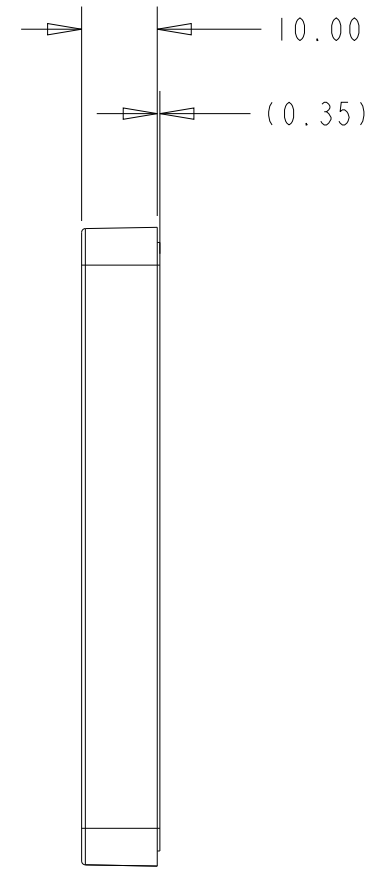
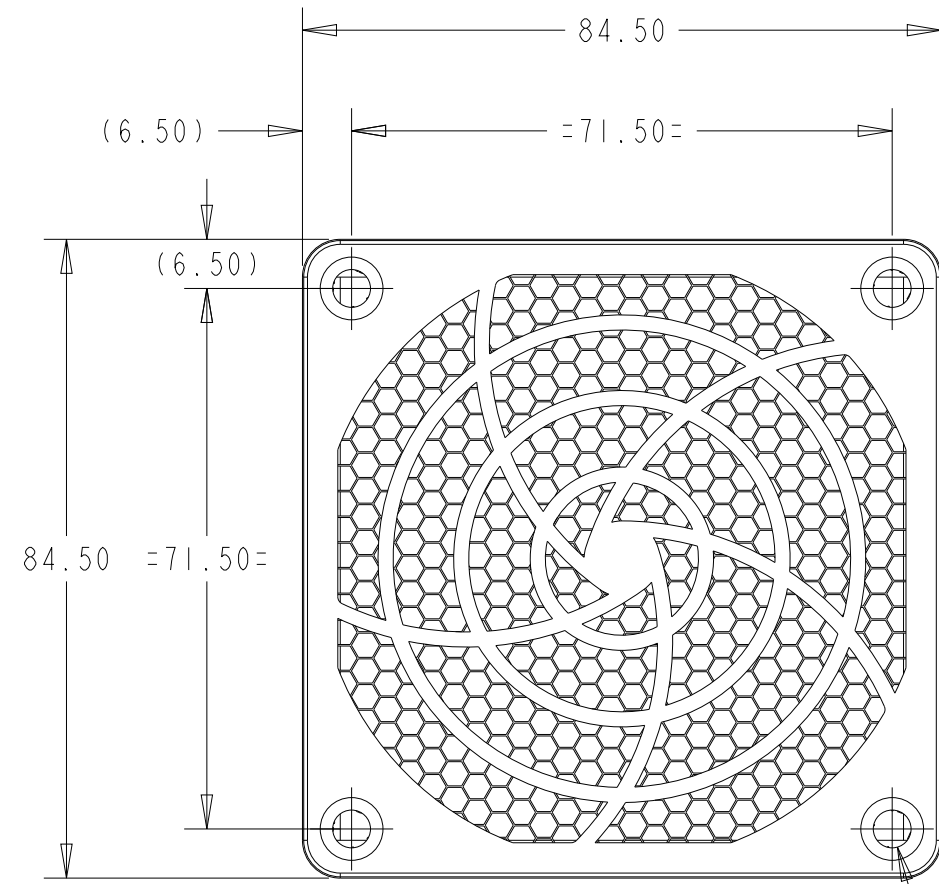


REVISIONS

P	LTR	DESCRIPTION	DATE	DWN	APVD
A		NEW DRAWING	09SEP2022	BDA	DH
AI		MATERIAL INFO. UPDATED	02NOV2022	BDA	DH

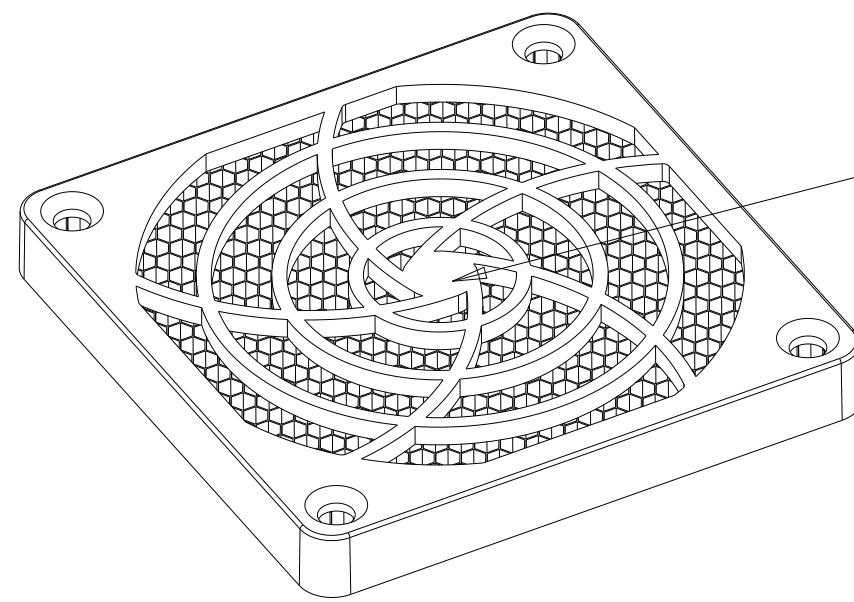
GENERAL TOLERANCES:
 LINEAR: ± 0.8
 HOLE CENTRES: ± 0.5
 ANGULAR: $\pm 0.5^\circ$



4 X Ø5 THRU ALL
 $\surd \text{Ø}8.30 \times 90^\circ$

4 X NICKEL/COPPER FABRIC
 CONDUCTIVE STRIP

1 LAYER 3.18 CELL X 6.35 THK
 ALUMINIUM 5052 HONEYCOMB
 SURTEC 650 FINISH



THE VENT BODY DESIGN
 & OBSTRUCTED AREA
 MAY VARY

ISOMETRIC VIEW (NTS)

HIGH IMPACT ABS	KEMVENT80	2430086-1
MATERIAL	ALIAS PART NUMBER	PART NUMBER

THIS DRAWING IS A CONTROLLED DOCUMENT.		DWN BASAVARAJA D A 09SEP2022	TE Connectivity														
DIMENSIONS: mm		CHK B SELVAPANDIAN 09SEP2022	NAME KEM_1651-KEMVENT_80														
TOLERANCES UNLESS OTHERWISE SPECIFIED:		APVD D HEMMINGS 09SEP2022	PRODUCT SPEC														
<table border="1"> <tr><td>0 PLC</td><td>±</td></tr> <tr><td>1 PLC</td><td>±0.1</td></tr> <tr><td>2 PLC</td><td>±0.07</td></tr> <tr><td>3 PLC</td><td>±0.001</td></tr> <tr><td>4 PLC</td><td>±0.0001</td></tr> <tr><td>ANGLES</td><td>±</td></tr> <tr><td>FINISH</td><td>-</td></tr> </table>		0 PLC	±	1 PLC	±0.1	2 PLC	±0.07	3 PLC	±0.001	4 PLC	±0.0001	ANGLES	±	FINISH	-	APPLICATION SPEC	
0 PLC	±																
1 PLC	±0.1																
2 PLC	±0.07																
3 PLC	±0.001																
4 PLC	±0.0001																
ANGLES	±																
FINISH	-																
MATERIAL SEE TABLE		WEIGHT	SIZE A2	CAGE CODE 00779													
		CUSTOMER DRAWING	DRAWING NO KEM_1651-KEMVENT_80	RESTRICTED TO													
		SCALE 1:1	SHEET OF	REV AI													