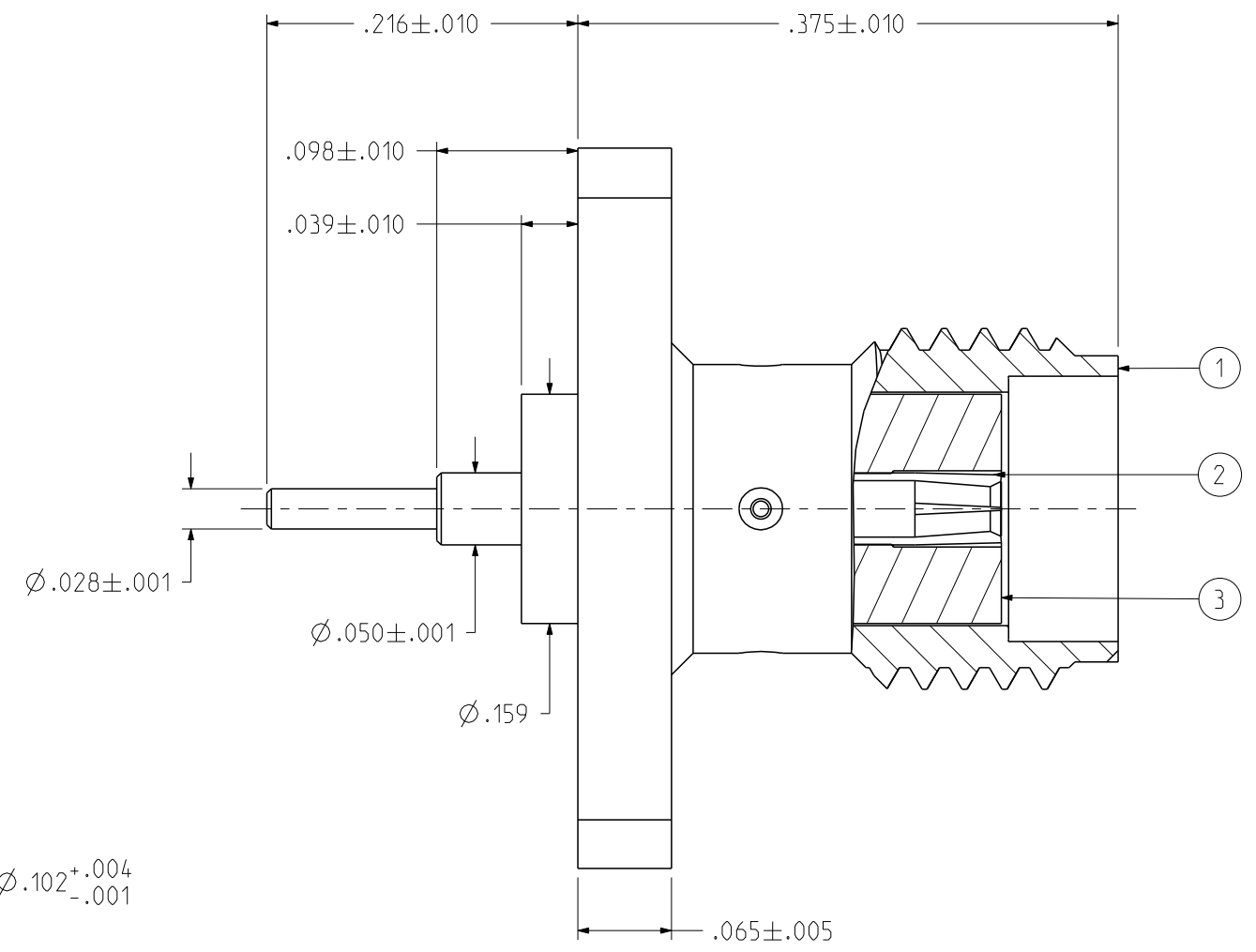
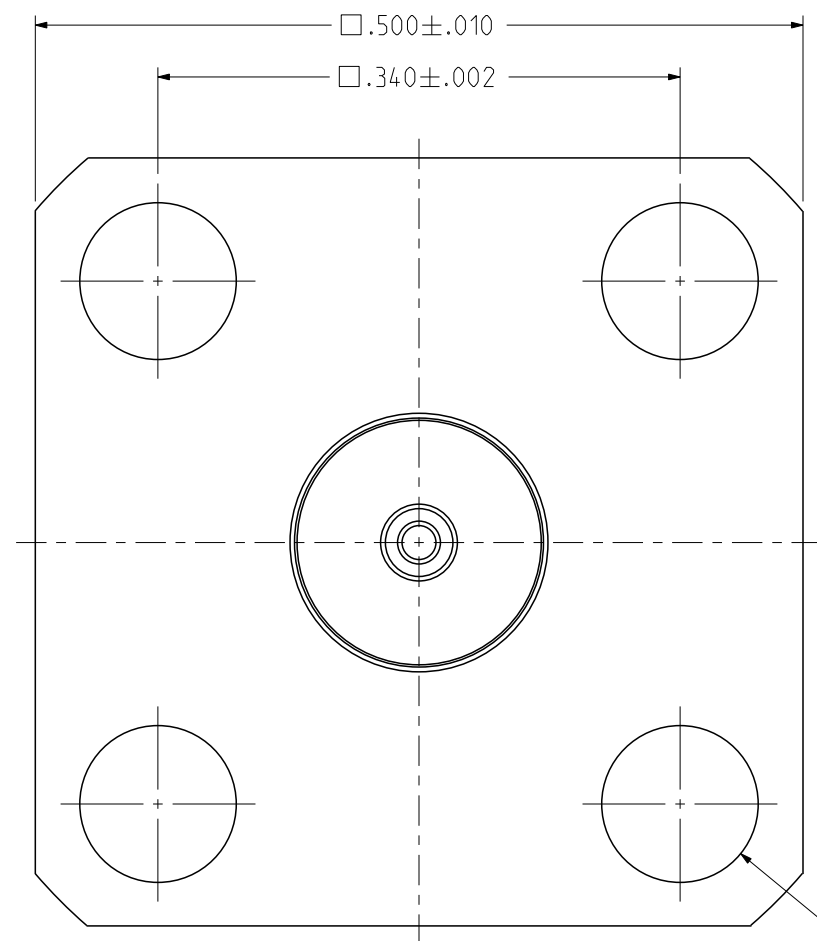


PART NUMBER	ITEM ① BODY	ITEM ② CONTACT	ITEM ③ INSULATOR
141-0701-641	TBD	BERYLLIUM COPPER GOLD PL .00005 MIN OVER NICKEL PL .00005 MIN OVER COPPER PL	PTFE

REV	ECO	DATE
1	INITIAL RELEASE	09MAR2022



NOTES:

1. ELECTRICAL SPECIFICATIONS:

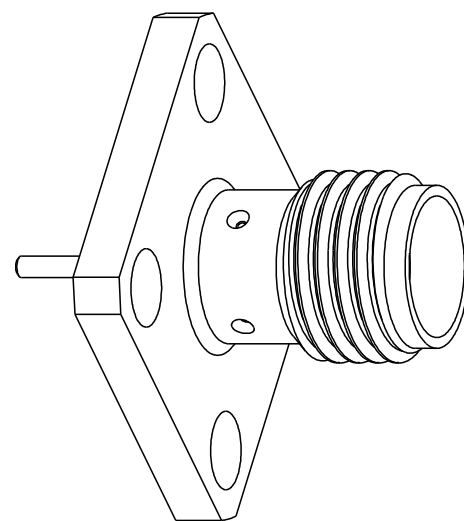
- 1.1 IMPEDANCE: 50 OHMS
- 1.2 FREQUENCY RANGE: DC-18 GHz
- 1.3 WORKING VOLTAGE: 335 VRMS MAX AT SEA LEVEL
- 1.4 DIELECTRIC WITHSTANDING VOLTAGE: 1000 VRMS MIN AT SEA LEVEL
- 1.5 INSULATION RESISTANCE: 5000 MEGOHM MIN
- 1.6 CONTACT RESISTANCE:
 - 1.6.1 CENTER CONTACT - INITIAL 3.0 MILLIOHM MAX, AFTER ENVIRONMENTAL 4.0 MILLIOHM MAX
 - 1.6.2 OUTER CONDUCTOR - INITIAL 2.0 MILLIOHM MAX, AFTER ENVIRONMENTAL NOT APPLICABLE
- 1.7 CORONA LEVEL: 250 VOLTS MIN AT 70,000 FEET
- 1.8 RF LEAKAGE: -70 dB MIN AT 2.5 GHz
- 1.9 RF HIGH POTENTIAL WITHSTANDING VOLTAGE: 670 VRMS MIN AT 4 AND 7 MHz

2. MECHANICAL SPECIFICATIONS:

- 2.1 ENGAGE/DISENGAGE TORQUE: 2 INCH-POUNDS MAX
- 2.2 MATING TORQUE: 7-10 INCH POUNDS
- 2.3 CONTACT RETENTION: 6 LBS MIN AXIAL FORCE, 4 IN-OZ MIN RADIAL TORQUE
- 2.4 DURABILITY: 500 CYCLES MIN

3. ENVIRONMENTAL:

- (MEETS OR EXCEEDS THE APPLICABLE PARAGRAPH OF MIL-C-39012)
- 3.1 OPERATING TEMPERATURE: -65 °C TO 165 °C
 - 3.2 THERMAL SHOCK: MIL-STD-202, METHOD 107, CONDITION B
 - 3.4 CORROSION: MIL-STD-202, METHOD 101, CONDITION B
 - 3.5 VIBRATION: MIL-STD-202, METHOD 204, CONDITION D
 - 3.6 MOISTURE RESISTANCE: MIL-STD-202, METHOD 106



	Model No: 141-0701-641/650	JOHNSON	
	RoHS <input checked="" type="checkbox"/> (EU)/2015/863 COMPLIANT <small>This PROPRIETARY Document is property of Cinch Connectivity Solutions. It is confidential in nature, non-transferable, and issued with the clear understanding that it is not traced or copied without permission and is returnable upon demand.</small>	Title: JACK ASSEMBLY, 4 HOLE FLANGE MOUNT, .028 PIN EXTENDED DIELECTRIC SMA Drawing No. 141-0701-641/650 Date: 03/09/2022	Rev: 1 Size: B Workmanship Std: SHEET NONE 1 OF 1