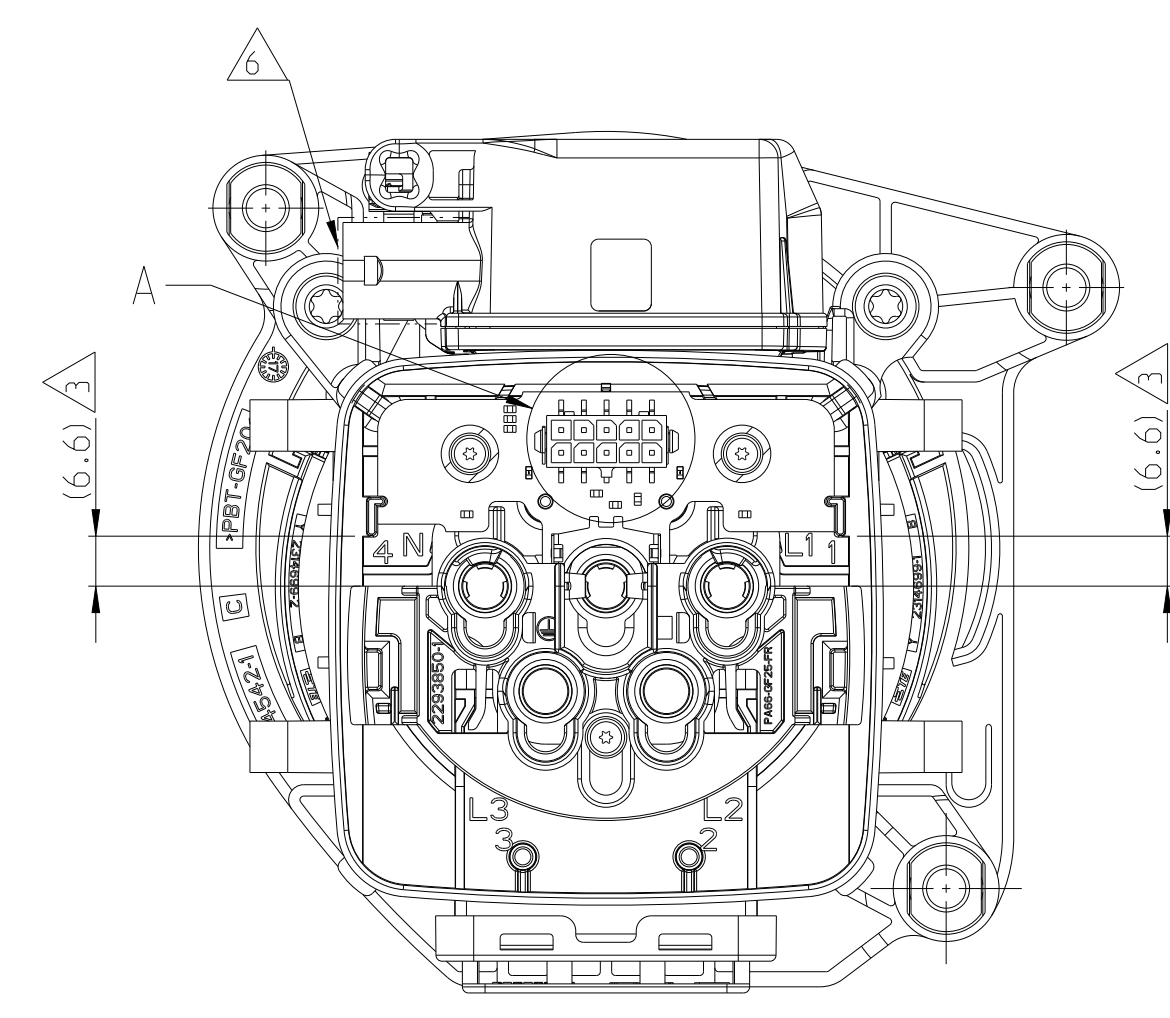
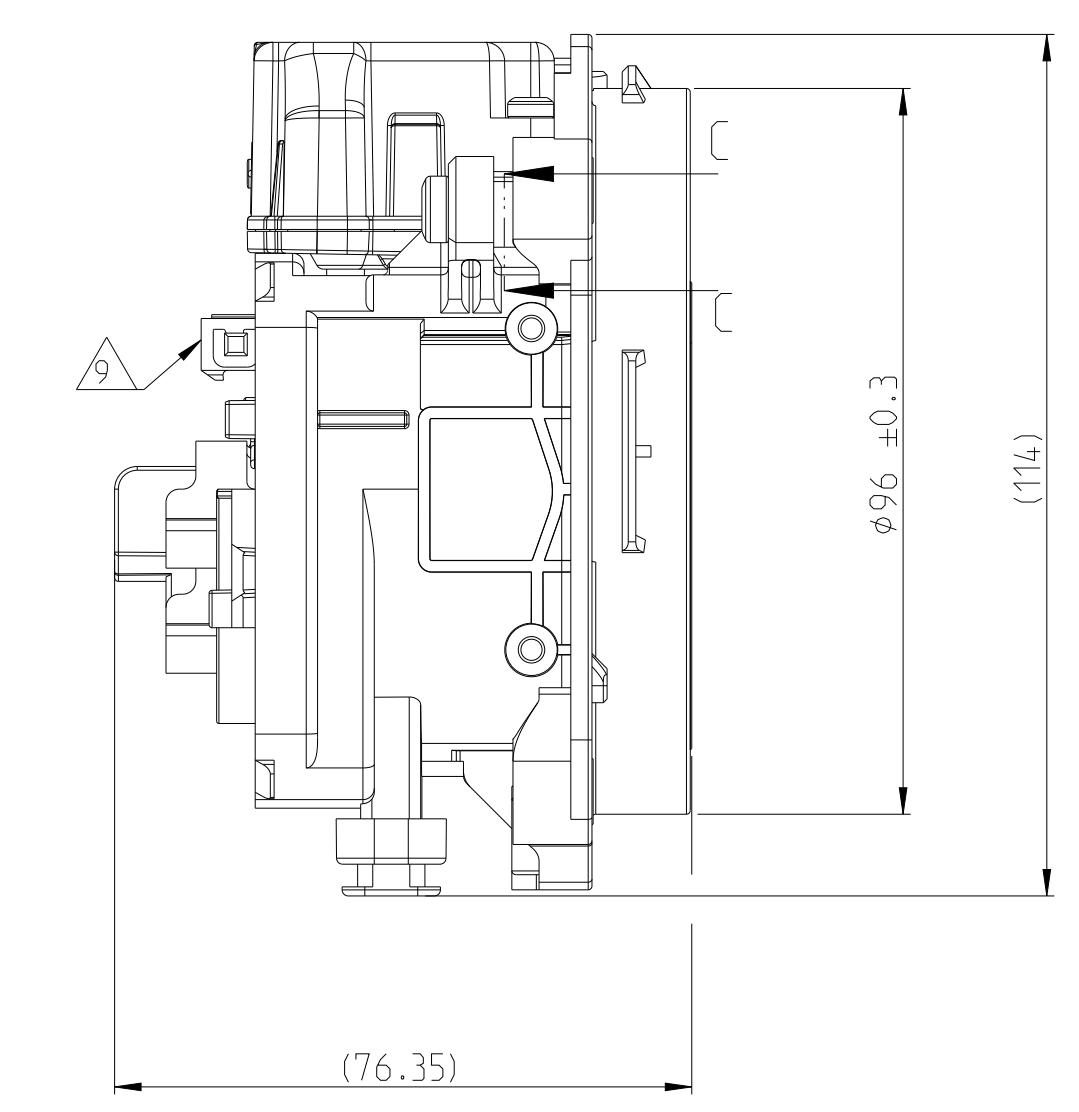
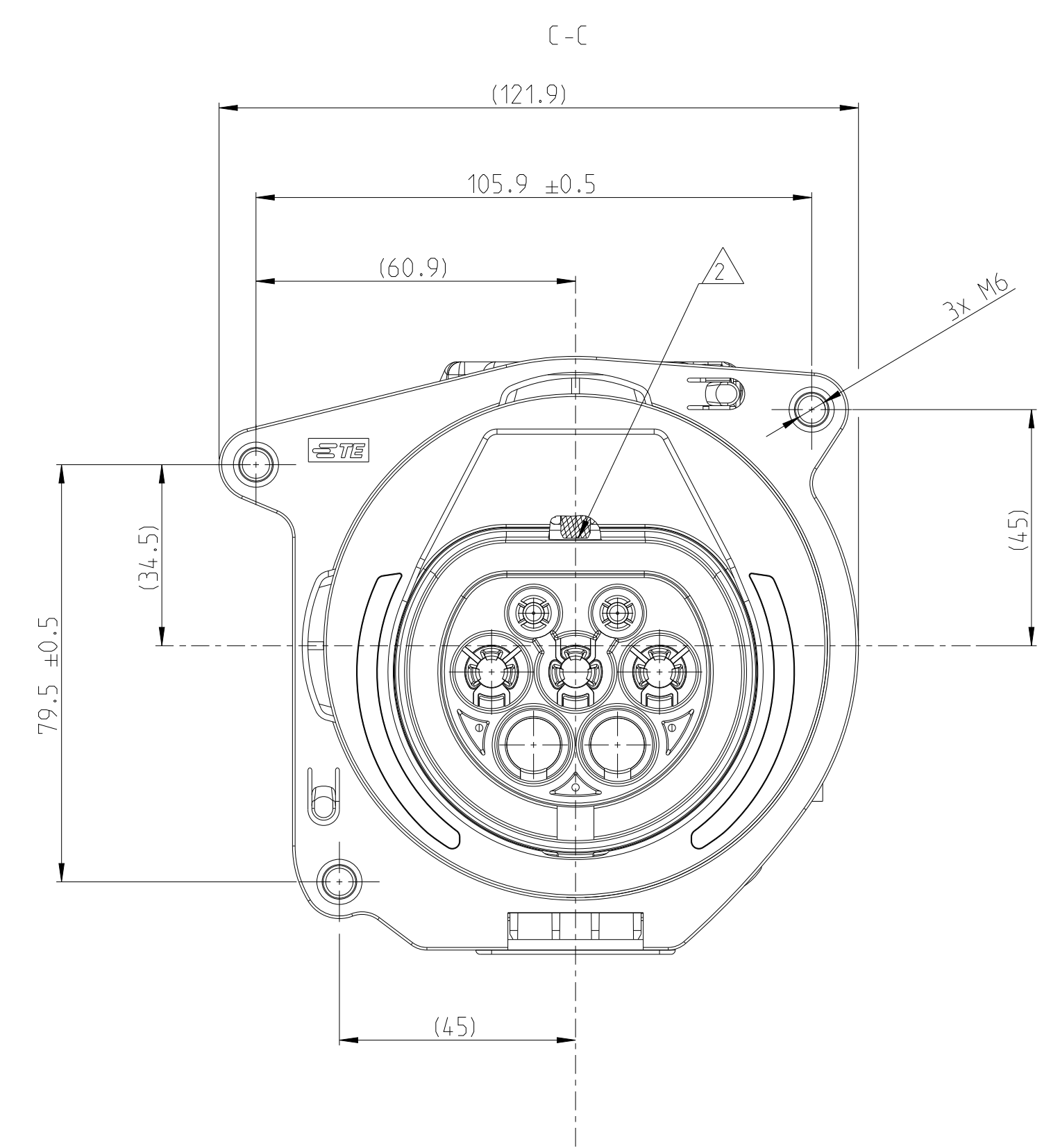
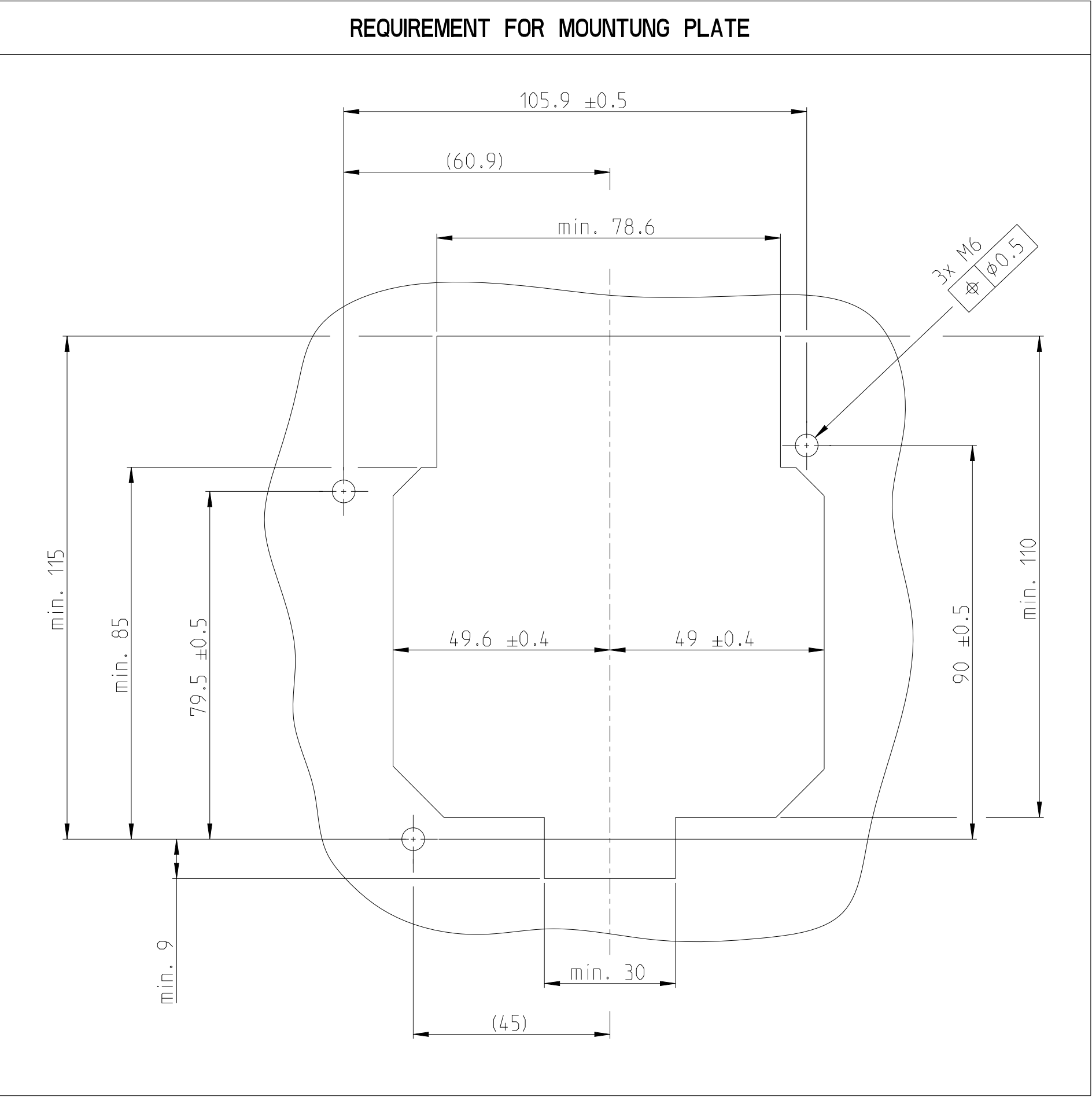


REVISIONS				
REV	DATE	DESCRIPTION	BY	APPD
A		PARAMETER TABLE REMOVED IN SHEET 1		
B		NOTES UPDATED IN SHEET 2		
B		3-PHASE VARIANT ADDED IN SHEET2 AND SHEET4	20MAR2022	HKS SK
		BOM TABLE UPDATED IN SHEET 3		



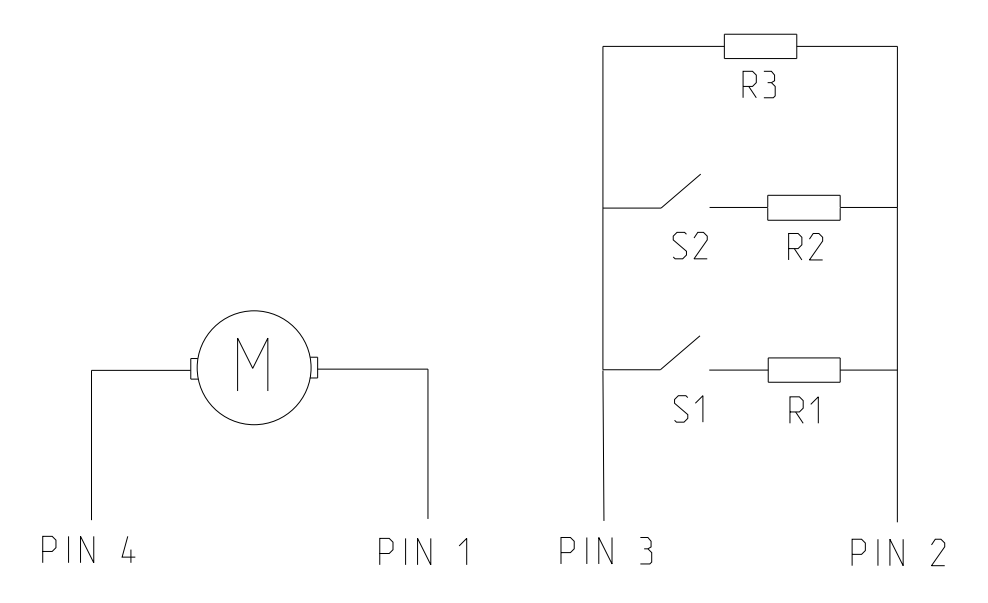
NOTES

- 2 DELIVERY CONDITION OF ACTUATOR: ACTUATOR IN BASE POSITION
- 3 DELIVERY CONDITION: SEC. LOCKS IN PRELOCK POSITION
- 4 CHARGE INLET SIMILAR TO IEC62196-2,TYPE 1, SHEET 2-1
- 5 ADAPTIVE CABLES SEE APPLICATION SPECIFICATION 114-94653
- 6 COMPATIBLE CONNECTOR FOR ACTUATOR: 1-967640-1
- 9 MAKE SURE THAT NO MECHANICAL FORCES ARE APPLIED ON HEADER ON PCBA
- 10 DELIVERY CONDITION OF MANUAL RELEASE OF ACTUATOR AS SHOWN
- 11 FUNCTIONAL AND ELECTRICAL REQUIREMENTS OF ACTUATOR SEE SPECIFICATION 108-94519

ACTUATOR WIRE CONFIGURATION

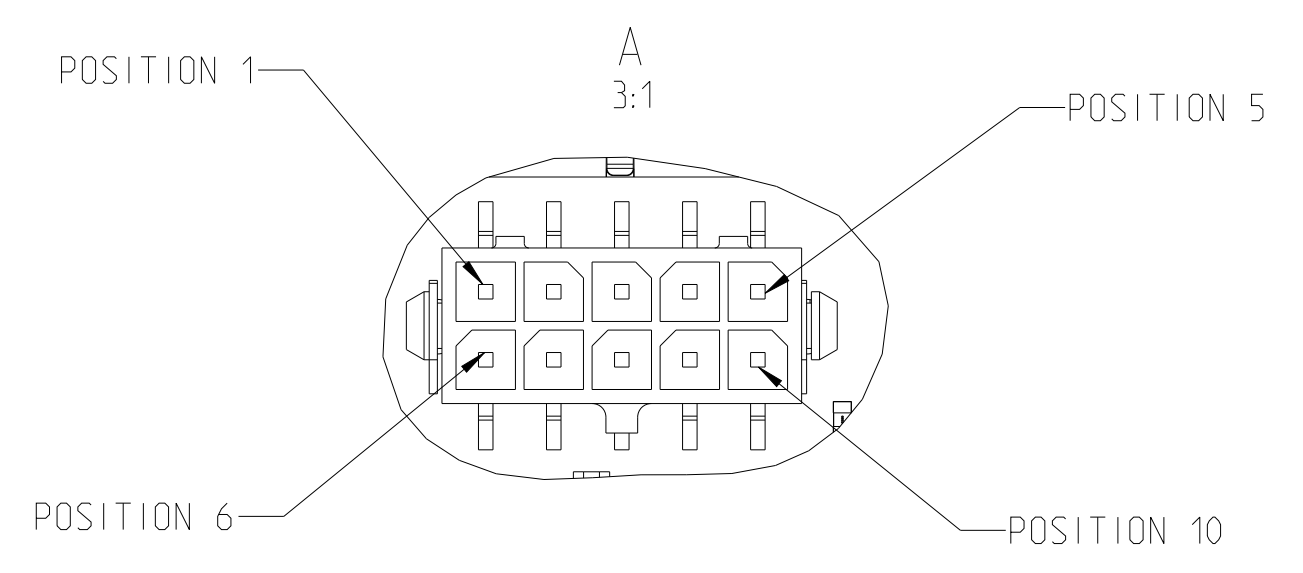
PIN 3	PIN 2	SENSE RESISTANCE	FUNCTION
-	+	11,000 kOhm ± 2%	LOCKED
-	+	2,194 kOhm ± 2%	DRIVE/ FAULT
-	+	0,989 kOhm ± 2%	UNLOCKED

PIN 1	PIN 4	FUNCTION
-	+	UNLOCKING
+	-	LOCKING

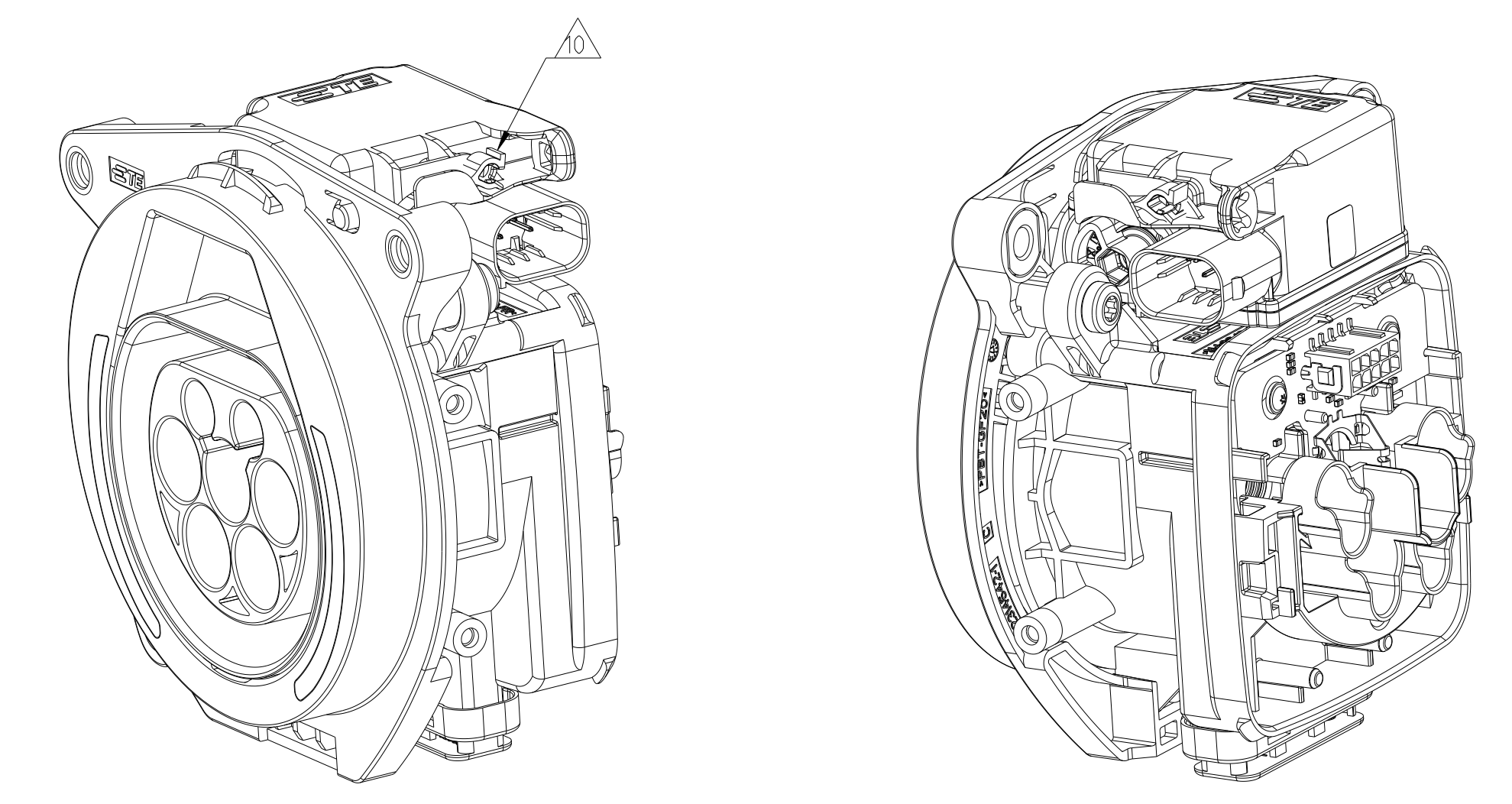


PINNING PCB

SIGNAL NAME	DESCRIPTION	10 WAY HEADER POSITION
GREEN_DRV	GREEN LED CURRENT DRIVING CHANNEL	1
RED_DRV	RED LED CURRENT DRIVING CHANNEL	2
BLUE_DRV	BLUE LED CURRENT DRIVING CHANNEL	3
GND	MAIN GROUND	4
T_AC2	TEMPERATURE SENSOR FOR AC PIN	5
T_AC1	TEMPERATURE SENSOR FOR AC PIN	6
OPTIONAL	MAY BE USED FOR ADDITIONAL FUNCTION	7
CP	CONTACT PILOT	8
T_GND	TEMPERATURE ANALOG GROUND	9
PROXI	PROXIMITY PIN CONNECTION	10



AS SHOWN
9-2368472-2
ISOMETRIC VIEW

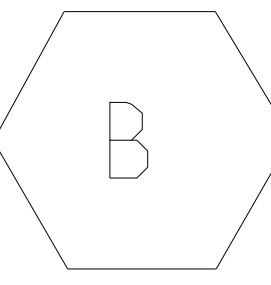


THIS DRAWING IS A CONTROLLED DOCUMENT. DIMENSIONING AND TOLERANCING PER GPS ISO STANDARDS.

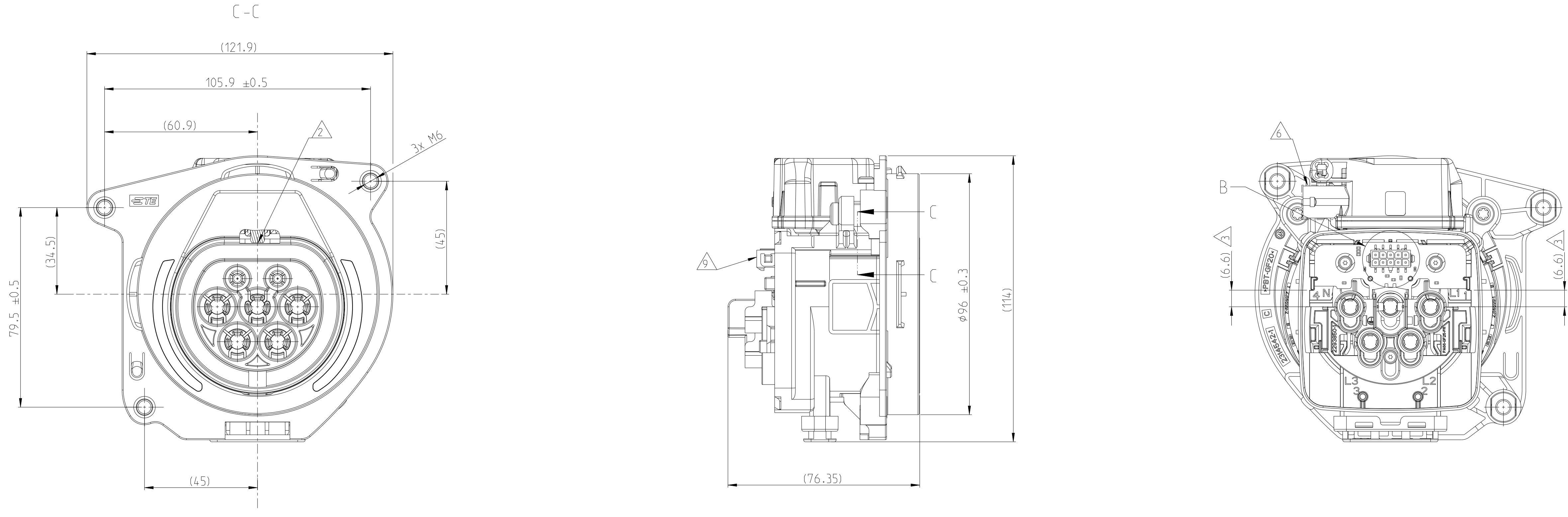
DATE	10MAY2020	BY	S. Csiszar
CHG	10MAY2020	BY	S. Kumar
APPRO	10MAY2020	BY	S. Kumar
PRODUCT SPEC			
108-94780			
114-94653			
00779			

INLET HSG, AC TYPE 2, ASSY
IEC 62196-2
00779 C=2368472

SCALE: 1:1 SHEET 1 OF 4 REV B



REVISIONS			
REV	DATE	DESCRIPTION	APPROVED
1		SEE SHEET 1	

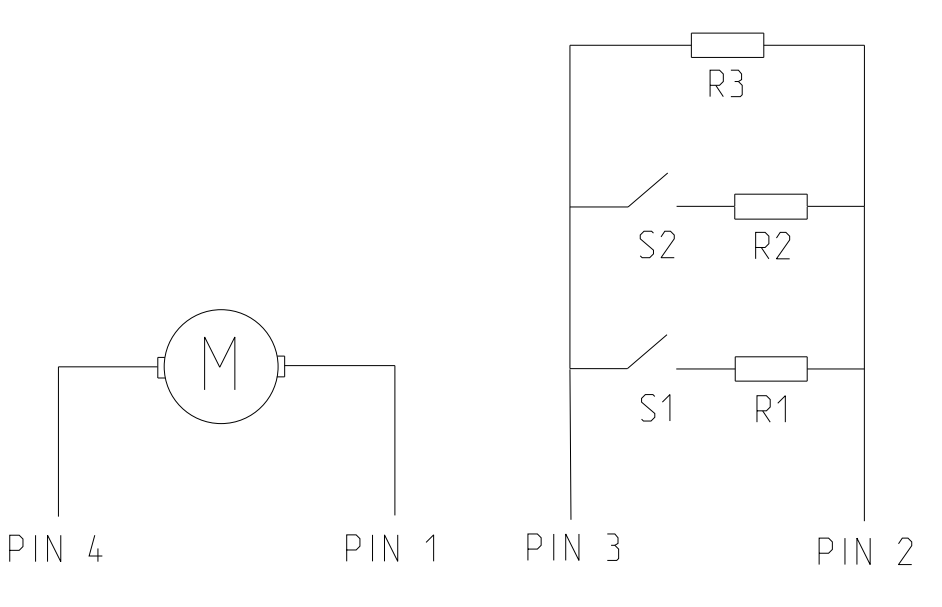


- NOTES
- 2 DELIVERY CONDITION OF ACTUATOR: ACTUATOR IN BASE POSITION
 - 3 DELIVERY CONDITION: SEC. LOCKS IN PRELOCK POSITION
 - 4 CHARGE INLET SIMILAR TO IEC62196-2,TYPE 1. SHEET 2-1
 - 5 ADAPTIVE CABLES SEE APPLICATION SPECIFICATION 114-94653
 - 6 COMPATIBLE CONNECTOR FOR ACTUATOR: 1-967640-1
 - 9 MAKE SURE THAT NO MECHANICAL FORCES ARE APPLIED ON HEADER ON PCBA
 - 10 DELIVERY CONDITION OF MANUAL RELEASE OF ACTUATOR AS SHOWN
 - 11 FUNCTIONAL AND ELECTRICAL REQUIREMENTS OF ACTUATOR SEE SPECIFICATION 108-94519

ACTUATOR WIRE CONFIGURATION

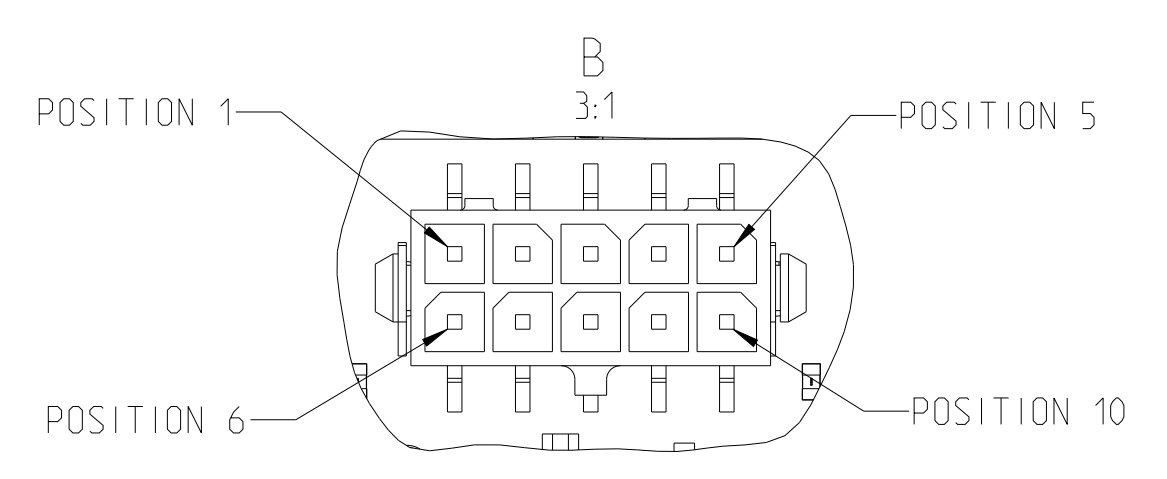
PIN 3	PIN 2	SENSE RESISTANCE	FUNCTION
-	+	11.000 kOhm ± 2%	LOCKED
-	+	2.194 kOhm ± 2%	DRIVE/FAULT
-	+	0.989 kOhm ± 2%	UNLOCKED

PIN 1	PIN 4	FUNCTION
-	+	UNLOCKING
+	-	LOCKING

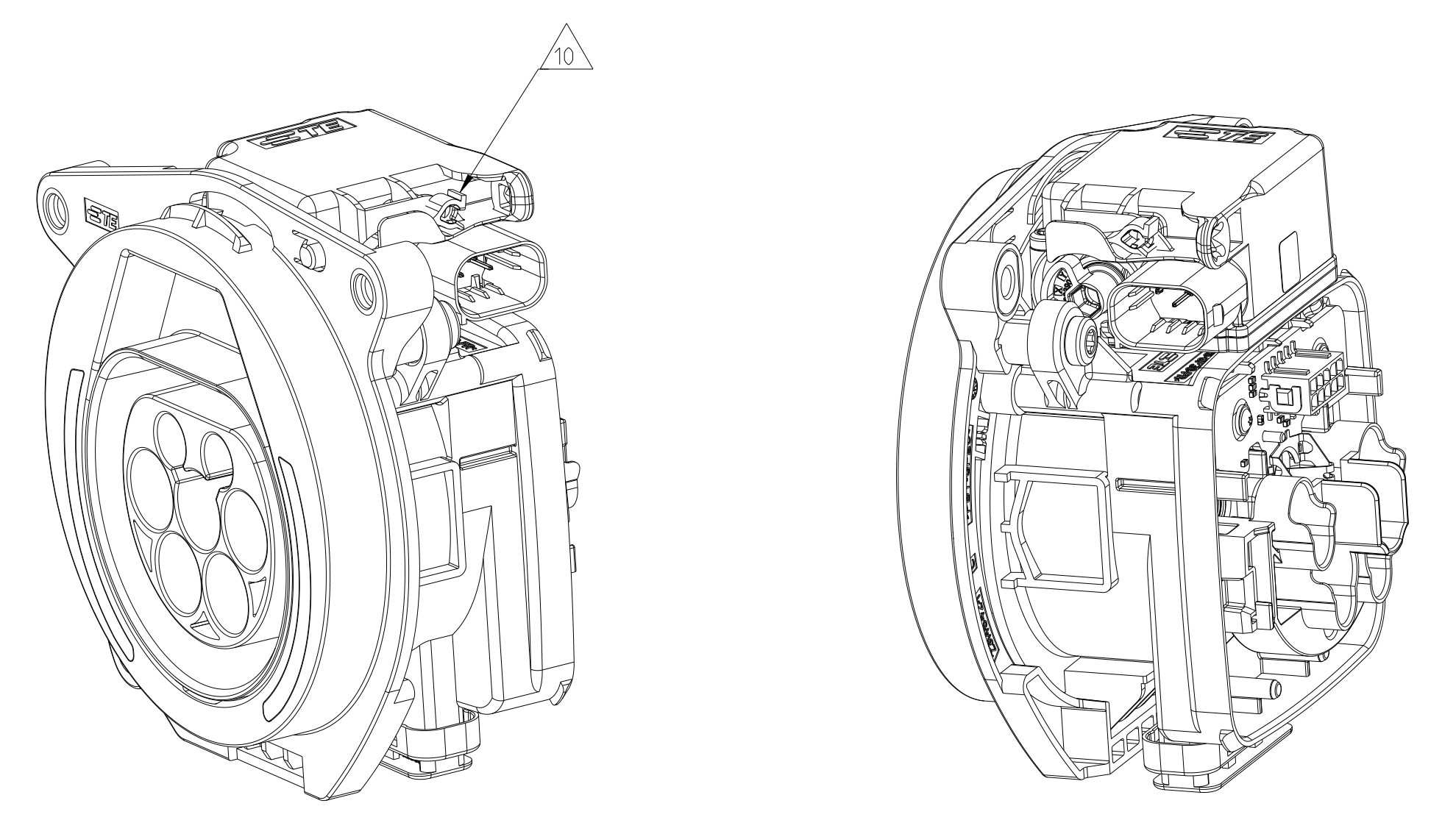


PINNING PCB

SIGNAL NAME	DESCRIPTION	10 WAY HEADER POSITION
GREEN_DRV	GREEN LED CURRENT DRIVING CHANNEL	1
RED_DRV	RED LED CURRENT DRIVING CHANNEL	2
BLUE_DRV	BLUE LED CURRENT DRIVING CHANNEL	3
GND	MAIN GROUND	4
T_AC2	TEMPERATURE SENSOR FOR AC PIN	5
T_AC1	TEMPERATURE SENSOR FOR AC PIN	6
OPTIONAL	MAY BE USED FOR ADDITIONAL FUNCTION	7
CP	CONTACT PILOT	8
T_GND	TEMPERATURE ANALOG GROUND	9
PROXI	PROXIMITY PIN CONNECTION	10



**AS SHOWN
9-2368472-3
ISOMETRIC VIEW**

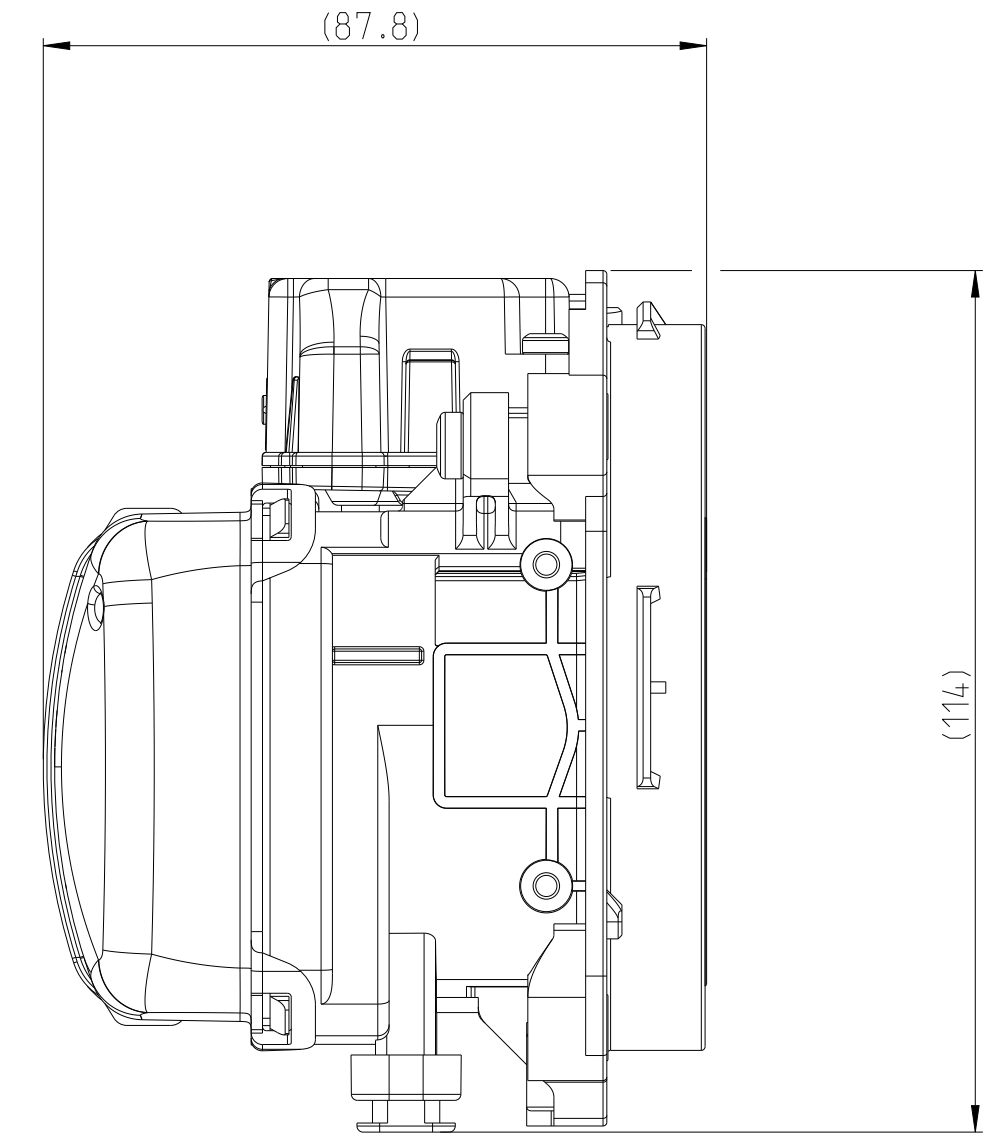
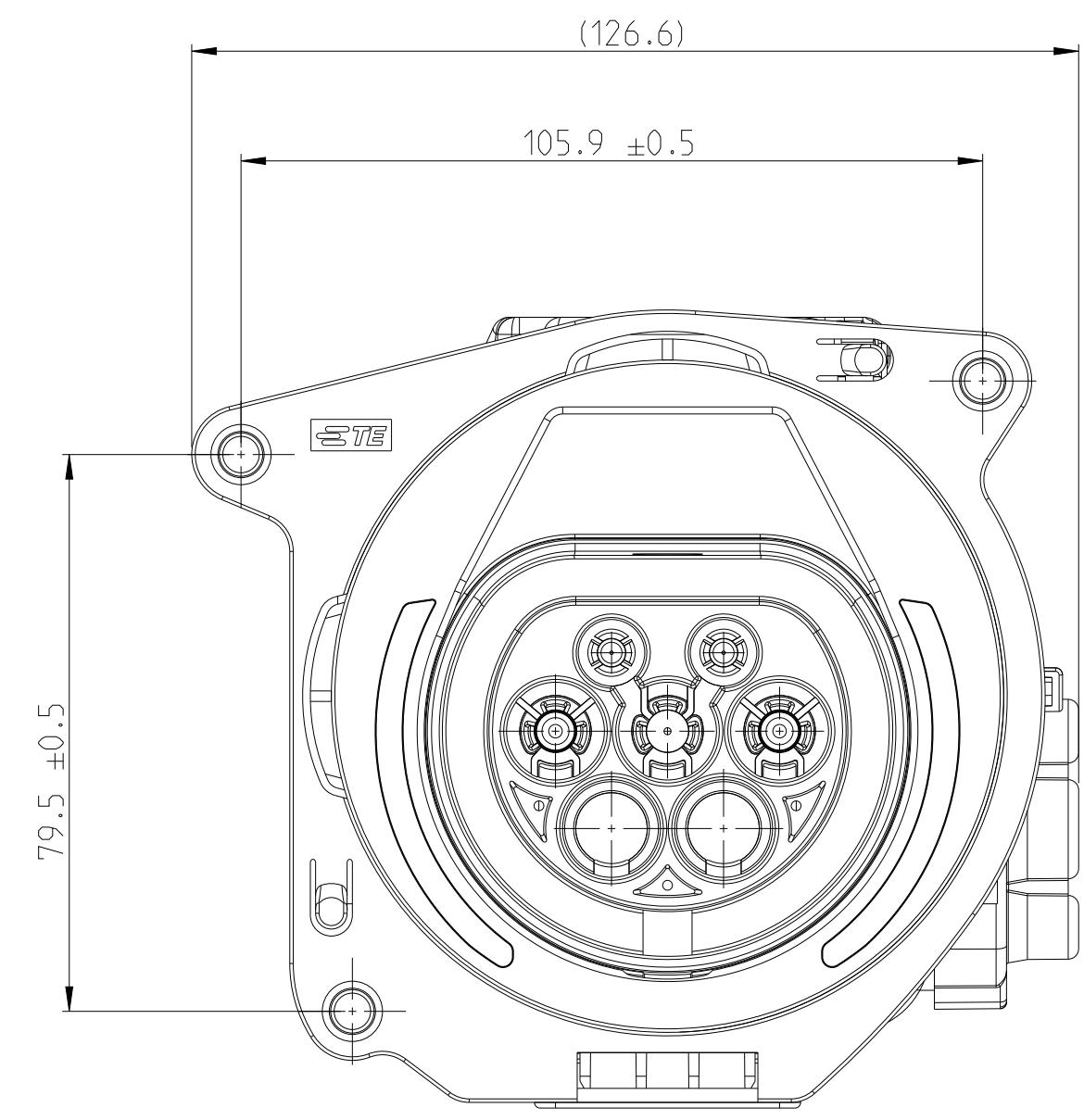


THIS DRAWING IS A CONTROLLED DOCUMENT. DIMENSIONING AND TOLERANCING PER GPS 1930 STANDARDS. ISO 2768-MK. MATERIAL: SEE TABLE. FINISH: -. CUSTOMER DRAWING. SCALE: 1:1. SHEET 2 OF 4. REV B.

DATE: 10MAY2020	DESIGNED BY: S. Kumar	APPROVED BY: S. Kumar	NAME: INLET HSG, AC TYPE 2, ASSY
DATE: 10MAY2020	DESIGNED BY: S. Kumar	APPROVED BY: S. Kumar	NAME: IEC 62196-2
DATE: 10MAY2020	DESIGNED BY: S. Kumar	APPROVED BY: S. Kumar	NAME: 114-94653
DATE: 10MAY2020	DESIGNED BY: S. Kumar	APPROVED BY: S. Kumar	NAME: 00779

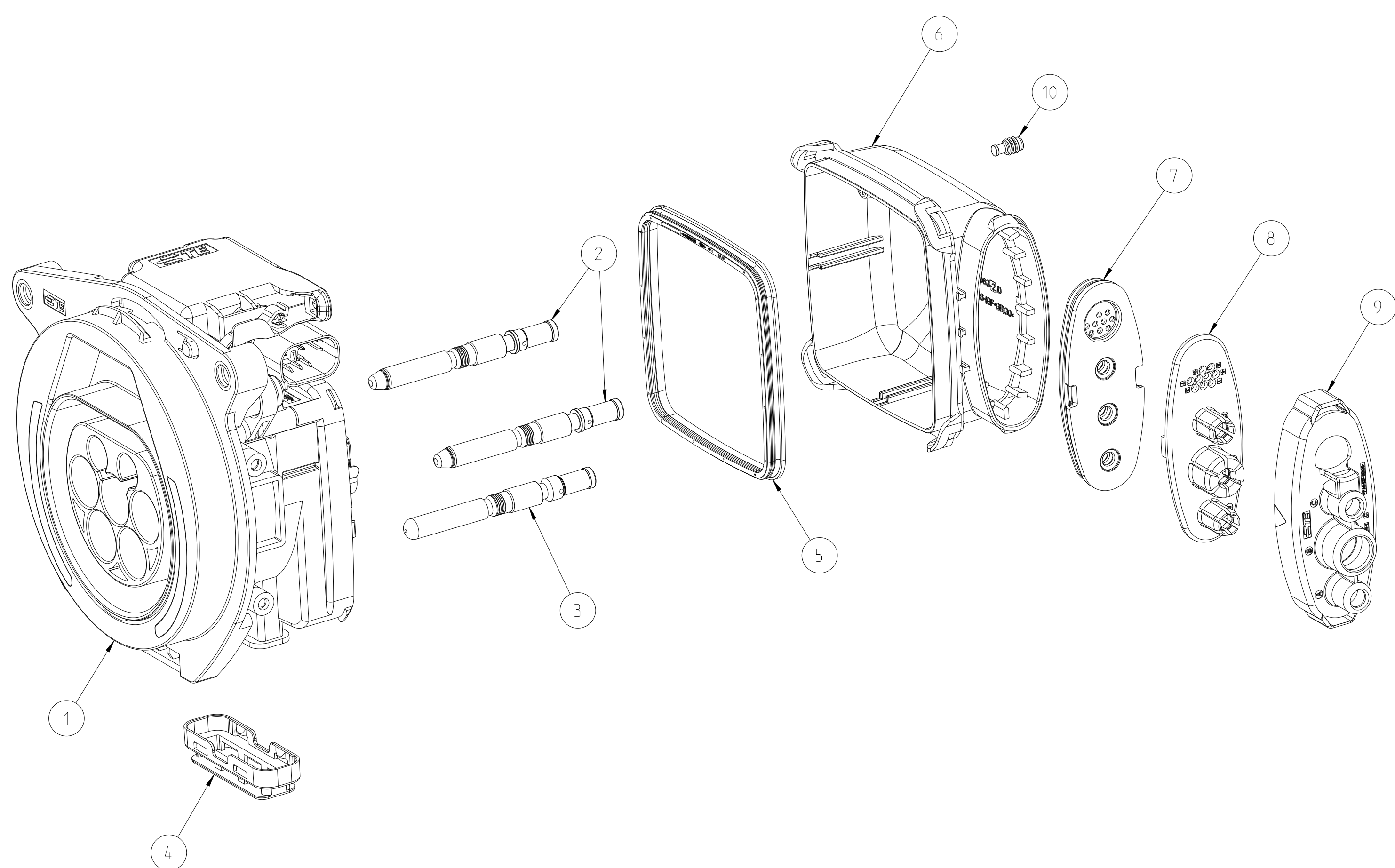
STE TE Connectivity

REVISIONS				
REV	DATE	DESCRIPTION	BY	APPD
-		SEE SHEET 1	-	-

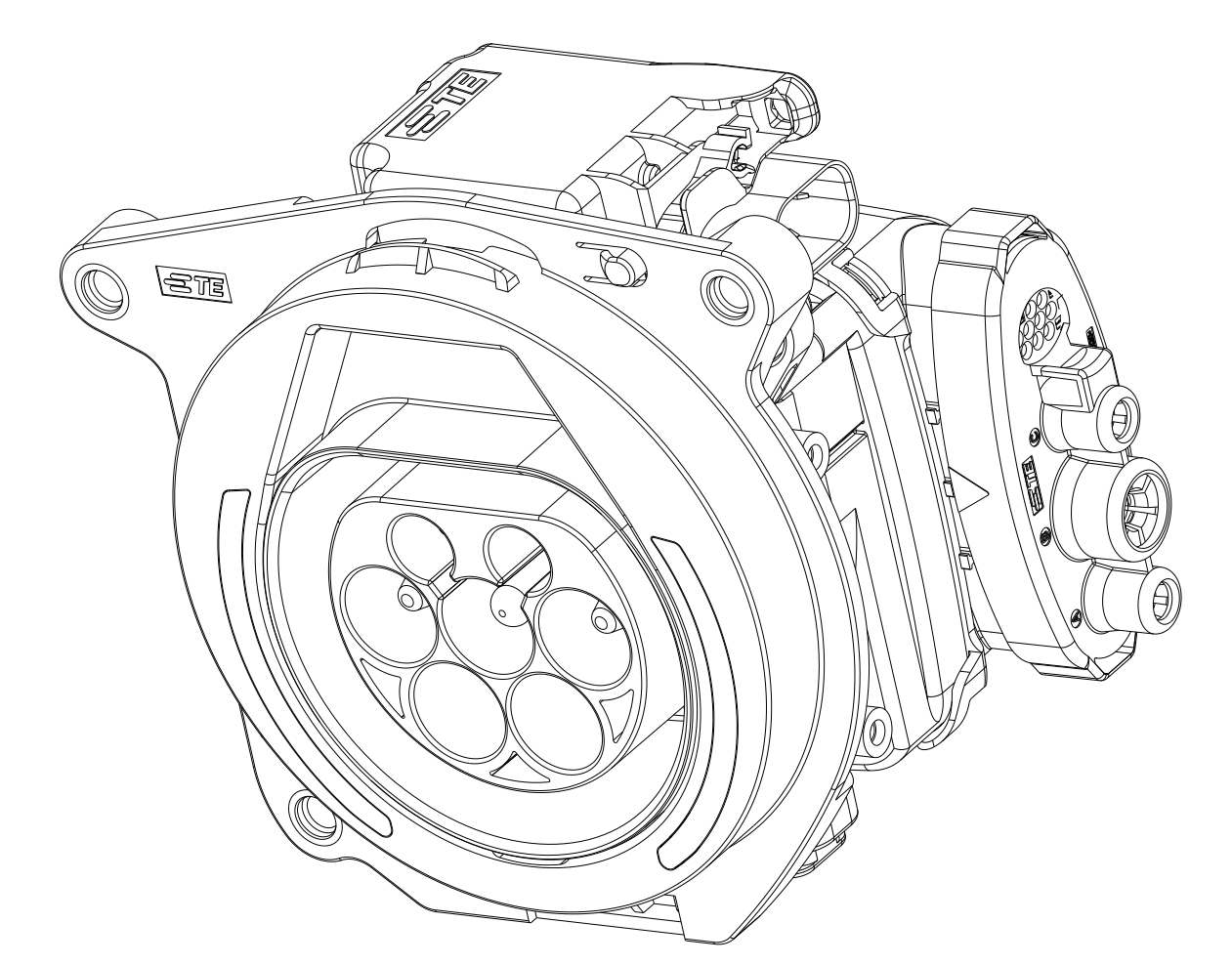


- NOTES
- 1 NOT FOR SALE. DESCRIBES ONLY THE BOM AND THE ASSEMBLY OF THE COMPLETE PRODUCT
 - 2 CHARGE INLET SIMILAR TO IEC62196-2, TYPE 2, SHEET 2-1
 - 3 ADAPTIVE CABLES SEE APPLICATION SPECIFICATION 114-94653
 - 4 COMPATIBLE PCB CONNECTOR: PN 1-794617-0 WITH TERMINAL PN 0-794606-1
 - 5 FUNCTIONAL AND ELECTRICAL REQUIREMENTS OF ACTUATOR SEE SPECIFICATION 108-94519
 - 6 COMPATIBLE CONNECTOR FOR ACTUATOR: 1-967640-1
 - 7 APPLICABLE SCREWS FOR MOUNTING, HEAD DIAMETER MIN. 10.5mm, TORQUE 6Nm±0.9Nm FOR M6 SCREWS
 - 8 CHECK FEEDBACK SIGNAL OF THE ACTUATOR:
 FEEDBACK TIME < 10MS (AFTER REACHING FINAL POSITION)
 2mA < LOCK POSITION < 4mA
 15mA < UNLOCK POSITION < 19mA
 8mA < PARTIAL LOCK POSITION < 12mA
 8V SUPPLY VOLTAGE < 16V
 - 9 MAX VOLTAGE RATING 250 VAC
 MAX CURRENT RATING 32 A

EXPLODED VIEW



ISOMETRIC VIEW



QTY	WIRE SIZE	ORDER PN	REV	PART DESCRIPTION	MATERIAL	SURFACE/COLOR	ITEM NO
1		963143-1	E	CAVITY PLUG FOR CAVITY	VMQ	WHITE	10
1		5-2316424-1	C	COVER, CABLE SEAL, AC	PA6-GF10-GB20	BLACK	9
1		2316423-1	E	STRAIN RELIEF, AC	PA6-(GF-GB)30	NATURAL	8
1		2316422-1	C	FAMILY SEAL, AC	SILICON RUBBER	NATURAL	7
1		5-2296063-2	D	CABLE EXIT, RECT 90DEG	PA6-GF10-GB20	BLACK	6
1		0-2320214-1	B	PERIPHERAL SEAL CHARGE INLET	VMQ	LIGHT BLUE	5
1		2292534-1	B	PROTECTION CAP CHARGE INLETS	PA6-GF10-GB20	BLACK	4
1		2293270-3	A	PIN CONTACT, DIA6.0, PE	BRASS	SILVER	3
2		2293269-3	A	PIN CONTACT, DIA6.0, L.N. ASSY	BRASS	SILVER	2
1		9-2368472-2	B	HSG. INLET TYP2, ASSY	-	-	1

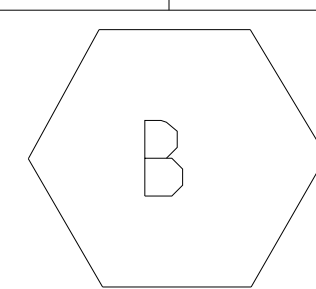
THIS DRAWING IS A CONTROLLED DOCUMENT. DIMENSIONING AND TOLERANCING PER GPS ISO STANDARDS.

DATE: 10MAY2020
 DRAWN BY: S. Kumar
 CHECKED BY: S. Kumar
 APPROVED BY: S. Kumar

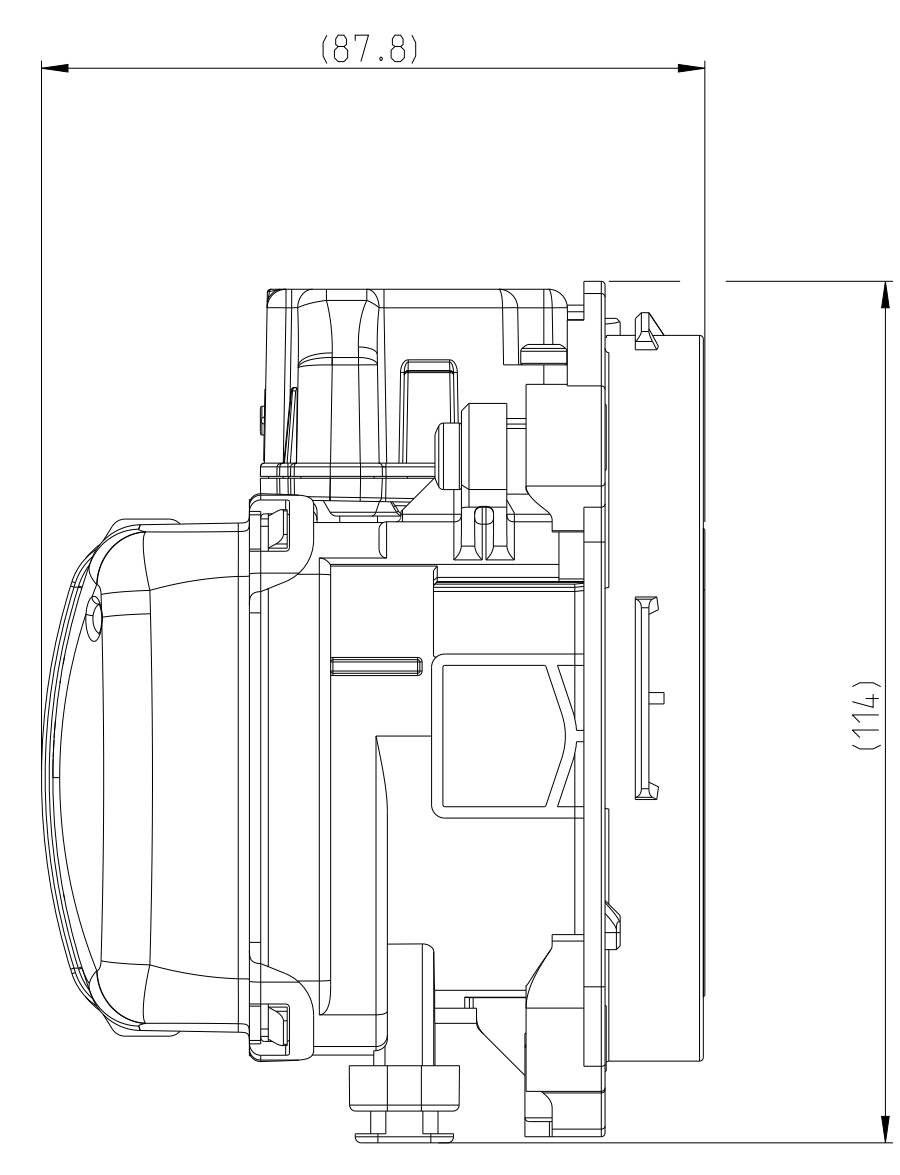
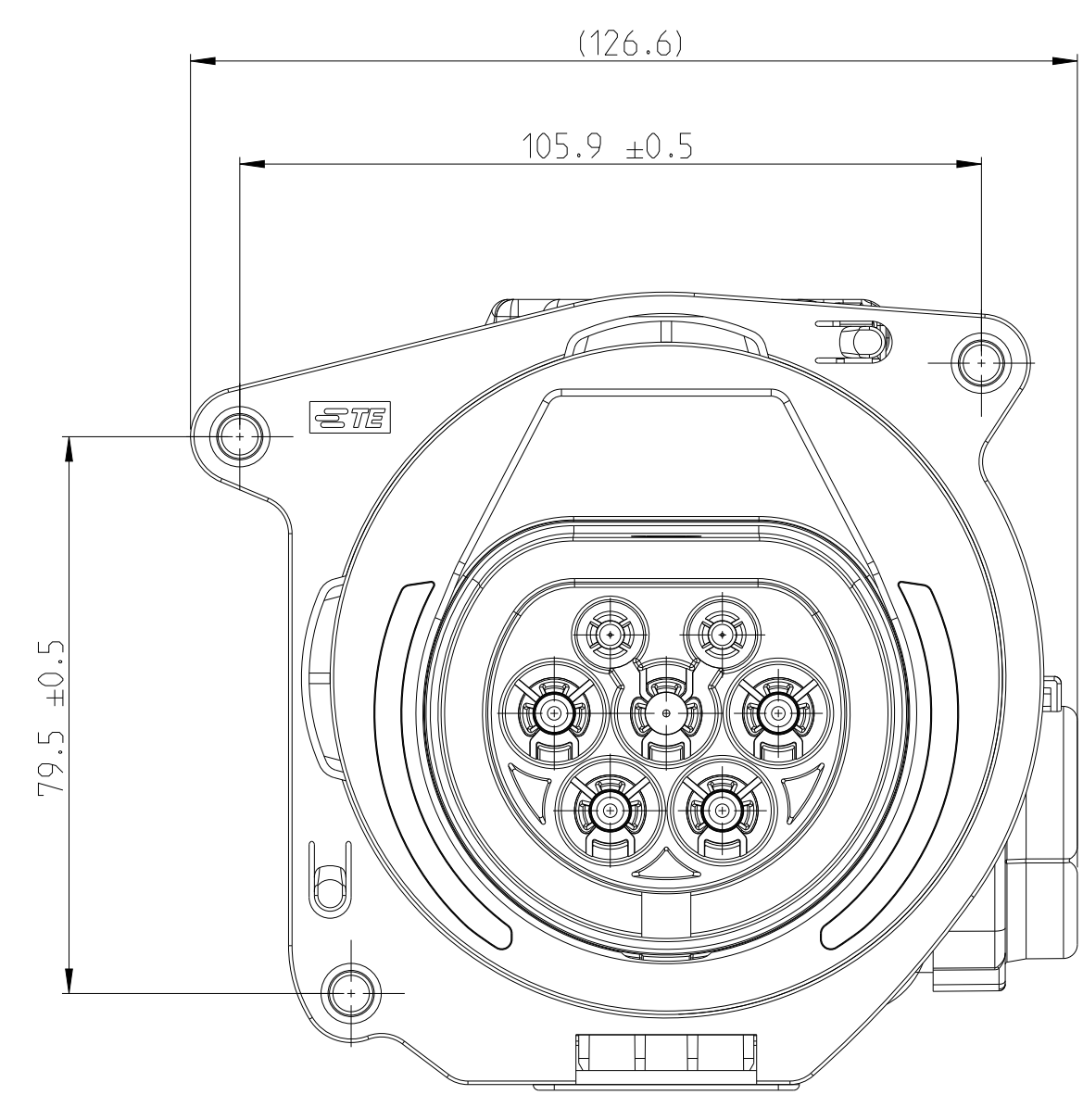
ISO 2168-MK

NAME: INLET HSG. AC TYPE 2. ASSY
 PART NO: 114-94653
 DRAWING NO: 00779
 SCALE: 1:1
 SHEET: 3 of 4

TE Connectivity

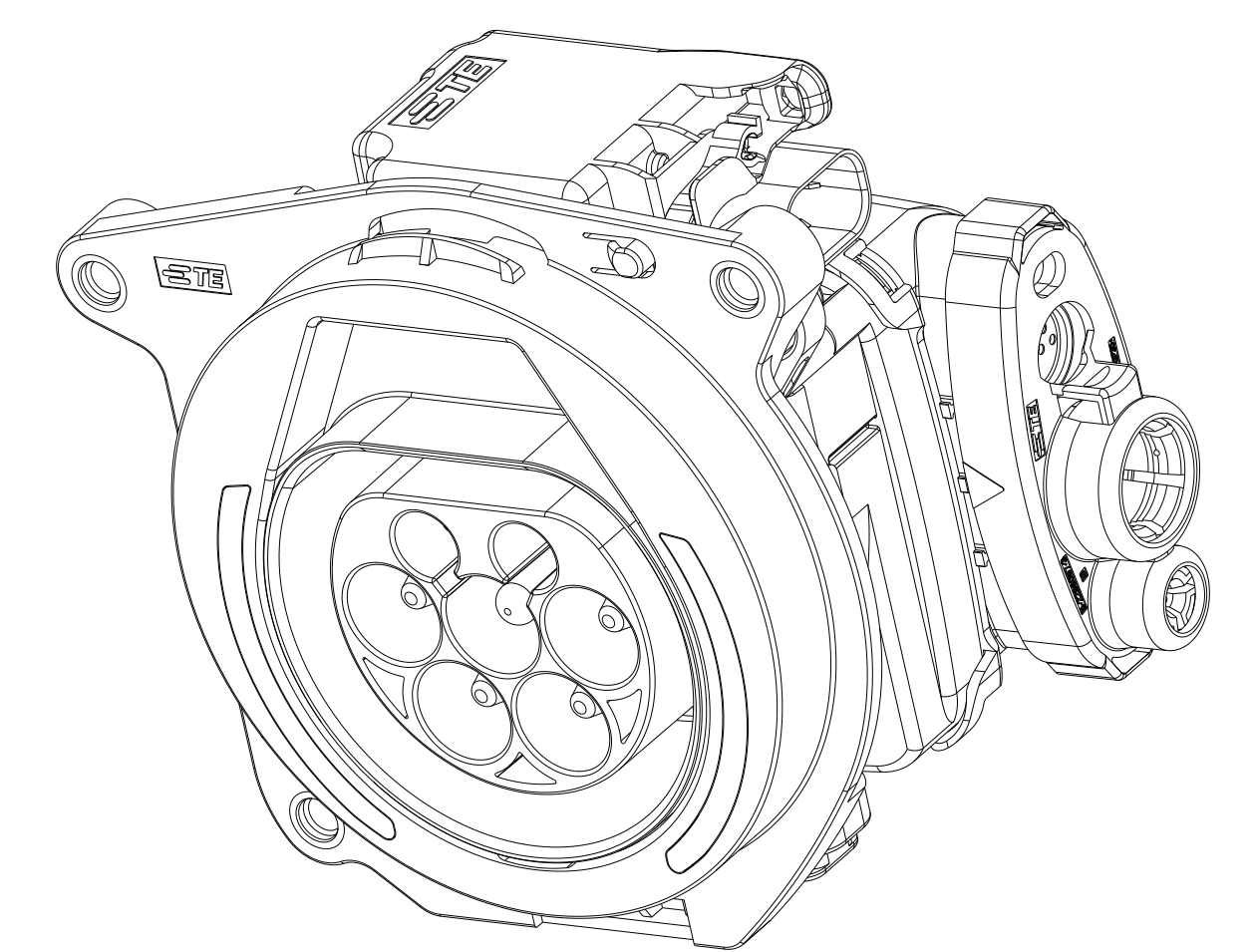


REVISIONS				
REV	DATE	DESCRIPTION	BY	APPD
-		SEE SHEET 1	-	-

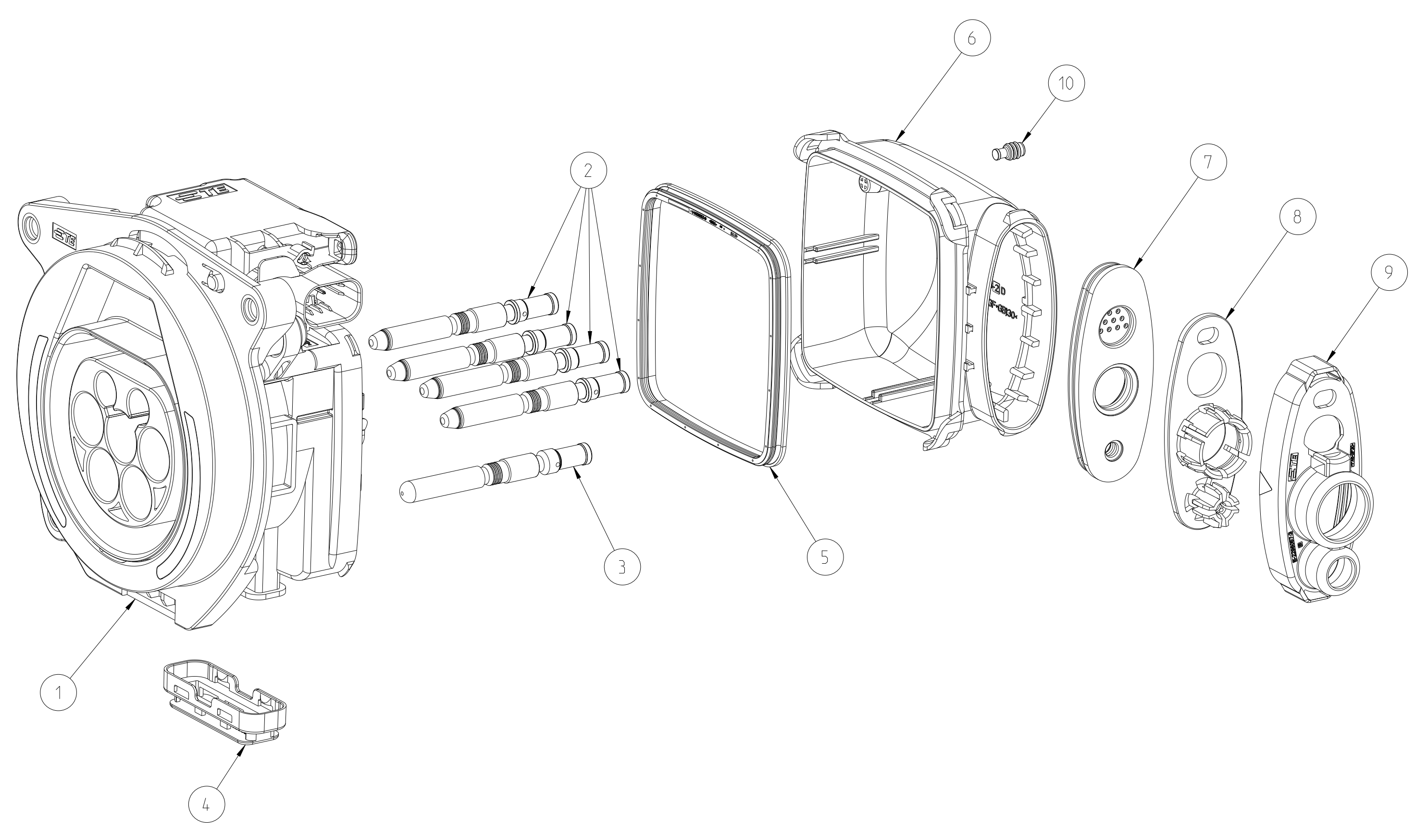


- NOTES
- NOT FOR SALE. DESCRIBES ONLY THE BOM AND THE ASSEMBLY OF THE COMPLETE PRODUCT
 - CHARGE INLET SIMILAR TO IEC62196-2, TYPE 2, SHEET 2-1
 - ADAPTIVE CABLES SEE APPLICATION SPECIFICATION 114-94653
 - COMPATIBLE PCB CONNECTOR: PN 1-794617-0 WITH TERMINAL PN 0-794606-1
 - FUNCTIONAL AND ELECTRICAL REQUIREMENTS OF ACTUATOR SEE SPECIFICATION 108-94519
 - COMPATIBLE CONNECTOR FOR ACTUATOR: 1-967640-1
 - APPLICABLE SCREWS FOR MOUNTING, HEAD DIAMETER MIN. 10.5mm, TORQUE 6Nm±0.9Nm FOR M6 SCREWS
 - CHECK FEEDBACK SIGNAL OF THE ACTUATOR:
 FEEDBACK TIME < 10MS (AFTER REACHING FINAL POSITION)
 2mA < LOCK POSITION < 4mA
 15mA < UNLOCK POSITION < 19mA
 8mA < PARTIAL LOCK POSITION < 12mA
 8V < SUPPLY VOLTAGE < 16V
 - MAX VOLTAGE RATING 250 VAC
 MAX CURRENT RATING 32 A

ISOMETRIC VIEW



EXPLODED VIEW



QTY	WIRE SIZE	ORDER PN	REV	PART DESCRIPTION	MATERIAL	SURFACE/COLOR	ITEM NO
1		963143-1	E	CAVITY PLUG FOR CAVITY DIA 4	VMQ	WHITE	10
1		5-2296057-3	B	COVER, CABLE SEAL, AC	PA6-GF10-GB20	BLACK	9
1		1-2344703-5	A	STRAIN RELIEF, AC	PA6-(GF+GB)30	RED	8
1		2-2296040-7	A	FAMILY SEAL, AC	VMQ	NATURAL	7
1		5-2296063-2	D	CABLE EXIT, RECT 90DEG	PA6-GF10-GB20	BLACK	6
1		0-2320214-1	B	PERIPHERAL SEAL, 63.63, CHARGE INLET, AC	VMQ	LIGHT BLUE	5
1		2292534-1	B	PROTECTION CAP CHARGE INLETS	PA6-GF10-GB20	BLACK	4
1		2293270-3	A	PIN CONTACT, DIA 6.0, PE	BRASS	SILVER	3
4		2293269-3	A	PIN, DIA 6.0, L/N, ASSY	BRASS	SILVER	2
1		9-2368472-3	B	HSG. INLET TYP2, ASSY	-	-	1

THIS DRAWING IS A CONTROLLED DOCUMENT. DIMENSIONING AND TOLERANCING PER GPS H50 STANDARDS.

DATE: 10MAY2020
 DRAWN BY: S. Kumar
 CHECKED BY: S. Kumar
 APPROVED BY: S. Kumar

ISO 2768-MK
 PRODUCT SPEC: 114-94653

NAME: INLET HSG. AC TYPE 2, ASSY
 IEC 62196-2
 SIZE: A0
 CASE CODE: 00779
 DRAWING NO: 2368472

SCALE: 1:1
 SHEET: 4 of 4
 REV: B