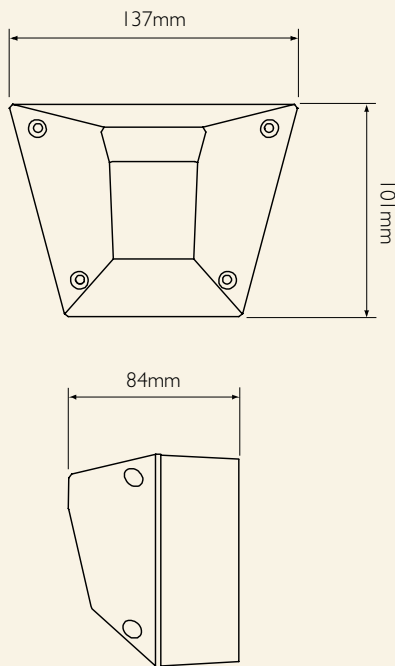


ASSERTA BEACON HIGH OUTPUT



Specification

Range	18 - 30Vac or 230Vac
Current	200mA @ 24Vdc (typ) or 13mA @ 230Vac
Flash Rate	0.75 / 1 / 1.25 / 2Hz @ 24Vdc 1 Hz @ 230Vac
Flash Power	3.6j / 2.0j
Temperature	- 20°C to + 70°C
Construction Base	PC / ABS
Construction Lens	Polycarbonate
IP Rating	IP66
Weight	0.3Kg
Body Colour	Red or Grey
Lens Colours	Red, Amber or Clear

The distinctive shape of this industrial beacon allows robust construction to be combined with highly efficient control of the light output to give a performance normally associated with much more powerful units. Versatility is ensured with a number of voltage and supply options.

- 24Vdc OR 230Vac VERSIONS
- 3.6 JOULE OUTPUT
- ASYMMETRIC DISPERSION FOR GREATER EFFICIENCY
- IP66 PROTECTION
- SIMPLE FIRST & SECOND FIX INSTALLATION