

METALLIZED POLYPROPYLENE

MKP C4B Series

**BOX CAPACITORS
 RoHS COMPLIANT**

**CAPACITORS
 FOR IGBT APPLICATIONS**

GENERAL TECHNICAL DATA

Reference Standards : IEC 1071 – EN 61071
 VDE 0560

Dielectric : Polypropylene film

Case components: Solvent resistant plastic case flame
 retardant execution UL94 V0
 epoxy resin sealing.

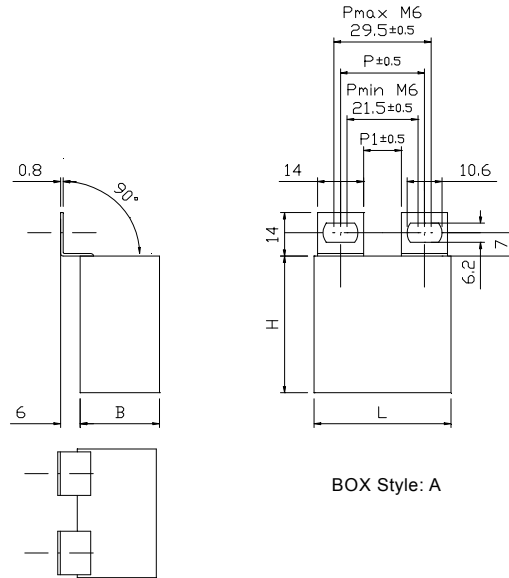
Terminals: Tinned brass lugs (See figure).

Winding : Non-inductive type

IEC climatic category : 40/85/21 according to IEC 68-1

Temperature range (Case): -40 to +85 °C

Temperature storage: -40 to +95°C



TEST METHODS AND PERFORMANCES

Test voltage terminal to terminal (Utt)	1.5 x Un for 10s at 25°C
Test voltage terminal to case (Utc)	3.3 kV 50Hz for 10 sec.
Life expectancy	≥ 100 000 hours at Un, ≥ 30 000 hours at Urms
Failure quota	300/10 ⁹ components hours
Capacitance deviation in temperature range (-40..+85°C)	± 1.5% max on capacitance value at 20°C
Changes of capacitance versus operating time	-3% after 100 000 hours at Un or after 30 000 hours at Urms
Installation	Whatever position
Weight	61 gr
Number of pieces for packing unit	52

ELECTRICAL CHARACTERISTICS

Code	C4BSTBX3470ZAFJ
Capacitance	0.47 µF
Tolerance	± 5%
Rated Voltage	1600 Vdc
Rated Urms Voltage (50 Hz)	650 Vac
Rated Current at maximum ambient temperature	8 Arms max @ 70°C ambient temperature and 10kHz
Insulation Resistance	3000 MΩ x µF
Dv/Dt	971 V/µs
Repetitive Peak Current	457 Ap
ESR	11.0 mΩ (10 kHz)
ESL	≤ 30 nH

DIMENSIONS (mm)

B = 20	H = 40	L = 41.5	P = 25.5	P1 = 10.5
---------------	---------------	-----------------	-----------------	------------------