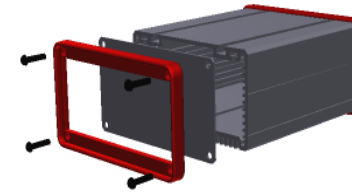
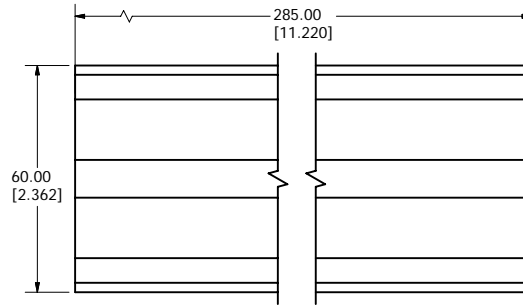
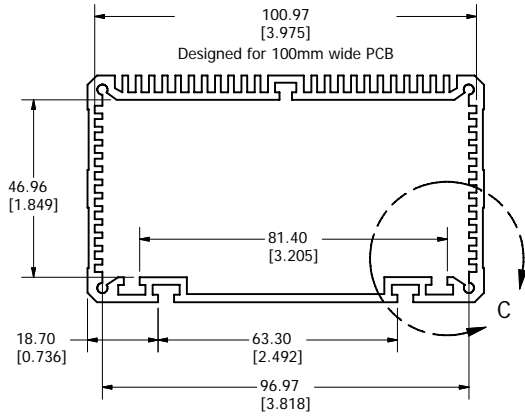
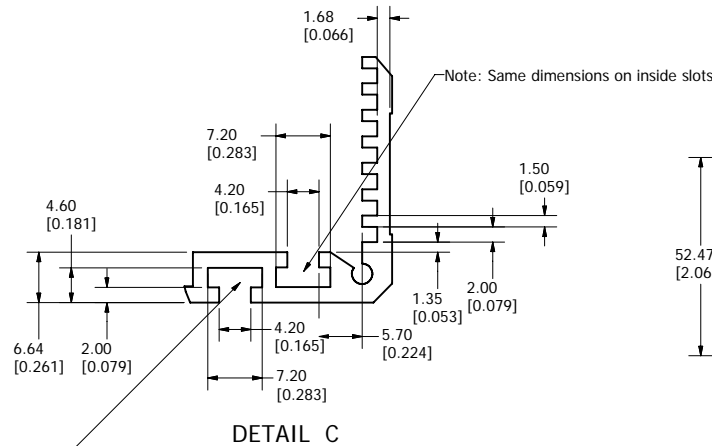


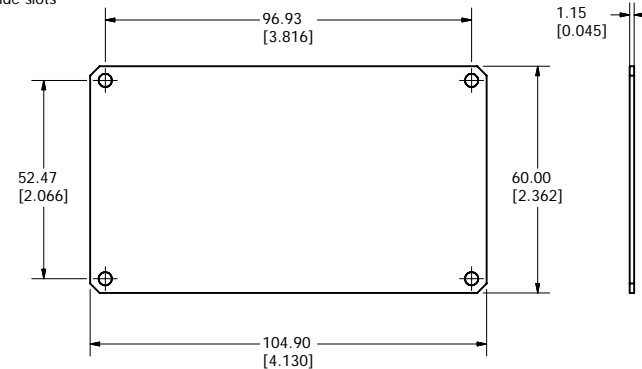
### Extrusion



### Slot Details

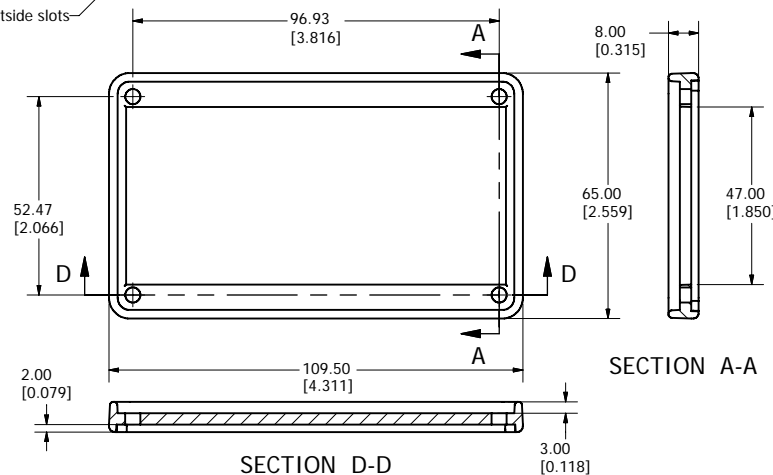


### End Plate



### Bezel

Note: Same dimensions on outside slots



NOTE  
Purchased assembly includes Extrusion, 2 End Plates, 2 Bezels and 8 screws

PART NUMBERS		
Sink Box		
Material	Colour	Part Number
Aluminum 6063 T5 Alloy	Black Anodized	431623
	Clear Anodized	531623
Bezel GP ABS	Black	
End Plate 5052-H32 Alloy	Black Anodized	031624
	Clear Anodized	131624
Required Torque on Fasteners (no lubrication)		
#4 x 0.5 Screws		30-40 cN*m

**HAMMOND  
MANUFACTURING™**

**105x285 Sink Box**

www.hammondmfg.com