

STRUCTURE Silicon Monolithic Integrated Circuit

TYPE Reference Voltage Regulator

PRODUCT SERIES **BD3570FP**

FEATURES
1. 3.3V output voltage/ Low dropout voltage/ Low quiescent current
2. Built-in Overcurrent protection circuit/ Thermal shutdown circuit

○ABSOLUTE MAXIMUM RATINGS (Ta=25°C)

Parameter	Symbol	Limit	Unit
Supply Voltage	Vcc	50 ※1	V
Power Dissipation	Pd	1.2 ※2	W
Operating Temperature Range	Topr	-40~+125	°C
Storage Temperature Range	Tstg	-55~+150	°C
Maximum Junction Temperature	Tjmax	150	°C

※1 Not to exceed Pd and ASO.

※2 Reduced by 9.6mW/°C over Ta=25°C, when mount on a glass epoxy board:70mm×70mm×1.6mm.

○OPERATING CONDITIONS

Parameter	Symbol	Min	Max	Unit
Supply Voltage	Vcc	4.5 ※3	36.0	V
Output Current	Io	—	500	mA

※3 Please consider that the Output voltage would be dropped (Dropout voltage) according to the Output current.

Status of this document

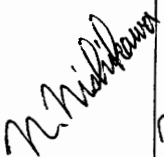


The Japanese version of this document is the formal specification.

A customer may use this translation version only for a reference to help reading the formal version.

If there are any differences in translation version of this document, formal version takes priority.

Application example

- ROHM cannot provide adequate confirmation of patents.
- The product described in this specification is designed to be used with ordinary electronic equipment or devices (such as audio-visual equipment, office-automation equipment, communications devices, electrical appliances, and electronic toys).
Should you intend to use this product with equipment or devices which require an extremely high level of reliability and the malfunction of which would directly endanger human life (such as medical instruments, transportation equipment, aerospace machinery, nuclear-reactor controllers, fuel controllers and other safety devices), please be sure to consult with our sales representative in advance.
- ROHM assumes no responsibility for use of any circuits described herein, conveys no license under any patent or other right, and makes no representations that the circuits are free from patent infringement.

DESIGN	CHECK	APPROVAL	DATE: May/12/2007	SPECIFICATION No. : TSZ02201-BD3570FP-1-2
			REV. A	ROHM CO., LTD.

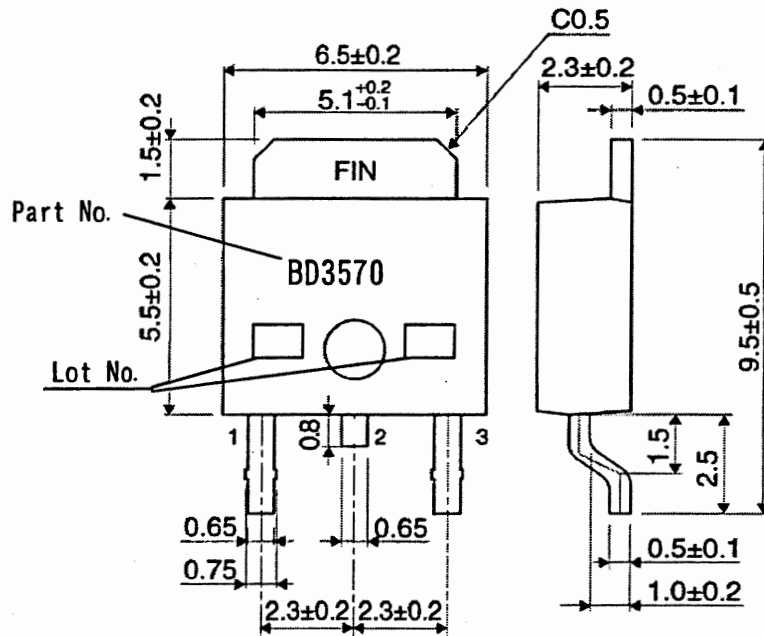
○ELECTRICAL CHARACTERISTICS (Unless otherwise specified, Ta=-40~125°C, Vcc=13.2V)

Parameter	Symbol	Limits			Unit	Conditions
		MIN	Typ	MAX		
Bias Current	I _b	—	30	50	μA	I _o =0mA
Output Voltage	V _o	3.234	3.300	3.366	V	I _o =200mA
Output Current	I _o	0.5	—	—	A	
Ripple Rejection	R. R.	45	55	—	dB	f=120Hz, e _{in} =1Vrms, I _o =100mA
Line Regulation	Reg. I	—	10	30	mV	5.5V ≤ V _{cc} ≤ 25V, I _o =0mA
Load Regulation	Reg. L	—	20	40	mV	0mA ≤ I _o ≤ 200mA

This product is not designed for protection against radio active rays.

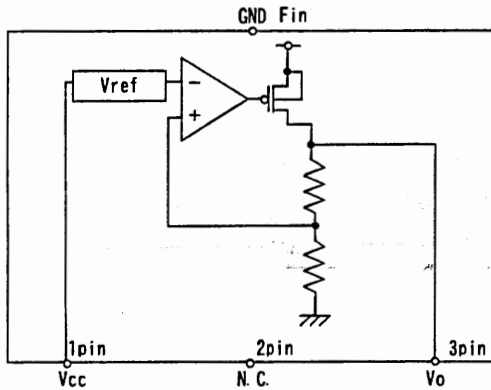
NOTE) All characteristics are measured with 0.33μF and 0.1μF capacitors connected to input and output pins, respectively. Because measurements (pulse measurements) were taken when Ta=Tj, data other than the temperature coefficient of Output voltage does not include fluctuations due to temperature variations.

○PHYSICAL DIMENSIONS - MARKING



T0252-3 (Unit: mm)

○BLOCK DIAGRAM



○PIN No. - PIN NAME

Pin No.	Pin Name
1	Vcc
2	N. C.
3	Vo
Fin	GND

○OPERATING NOTES

1) Absolute maximum ratings

Use of the IC in excess of absolute maximum ratings such as the applied voltage or operating temperature range may result in IC damage. Assumptions should not be made regarding the state of the IC (short mode or open mode) when such damage is suffered. A physical safety measure such as a fuse should be implemented when use of the IC in a special mode where the absolute maximum ratings may be exceeded is anticipated.

2) GND potential

Ensure a minimum GND pin potential in all operating conditions.

3) Thermal design

Use a thermal design that allows for a sufficient margin in light of the power dissipation (Pd) in actual operating conditions.

4) Pin short and mistake mounting

Use caution when orienting and positioning the IC for mounting on printed circuit boards. Improper mounting may result in damage to the IC. Shorts between output pins and the power supply and GND pins caused by the presence of a foreign object may result in damage to the IC. Ensure a minimum GND pin potential in all operating conditions.

5) Actions in strong magnetic field

Keep in mind that the IC may malfunction in strong magnetic fields.

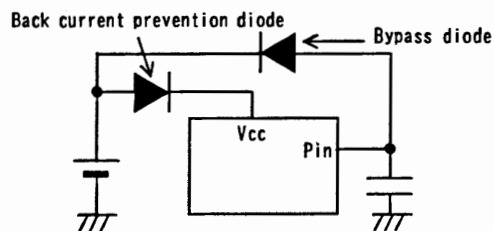
6) Testing on application boards

When testing the IC on an application board, connecting a capacitor to a pin with low impedance subjects the IC to stress. Always discharge capacitors after each process or step. Always turn the IC's power supply off before connecting it to or removing it from a jig or fixture during the inspection process. Ground the IC during assembly steps as an antistatic measure, and use similar caution when transporting or storing the IC.

7) Ground patterns

When using both small signal and large current GND patterns, it is recommended to isolate the two ground patterns, placing a single ground point at the application's reference point so that the pattern wiring resistance and voltage variations caused by large currents do not cause variations in the small signal ground voltage. Be careful not to change the GND wiring pattern of any external parts, either.

8) Applications or inspection processes where the potentials of the Vcc pin and other pins may be reversed from their normal states may cause damage to the IC's internal circuitry or elements. Use an output pin capacitance of 470 μF or lower in case Vcc is shorted with the GND pin while the external capacitor is charged. It is recommended to insert a diode for preventing back current flow in series with Vcc or bypass diodes between Vcc and each pin.



9) Thermal shutdown circuit (TSD)

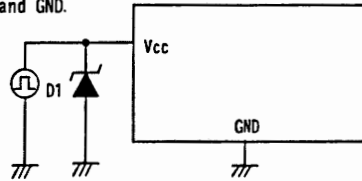
This IC incorporates a built-in TSD circuit for the protection from thermal destruction. The IC should be used within the specified power dissipation range. However, in the event that the IC continues to be operated in excess of its power dissipation limits, the attendant rise in the junction temperature (T_j) will trigger the TSD circuit to turn off all output power elements (175°C:Typ). The circuit automatically resets once the junction temperature (T_j) drops (150°C:Typ). Operation of the TSD circuit presumes that the IC's absolute maximum ratings have been exceeded. Application designs should never make use of the TSD circuit.

10) Overcurrent protection circuit (OCP)

The IC incorporates a built-in overcurrent protection circuit that operates according to the output current capacity. This circuit serves to protect the IC from damage when the load is shorted. The protection circuit is designed to limit current flow by not latching in the event of a large and instantaneous current flow originating from a large capacitor or other component. This protection circuits is effective in preventing damage due to sudden and unexpected accidents. However, the IC should not be used in applications characterized by the continuous operation or transitioning of the protection circuits. At the time of thermal designing, keep in mind that the current capacity has negative characteristics to temperatures.

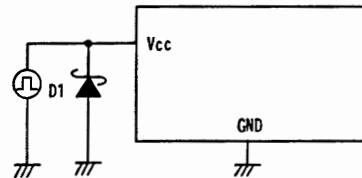
11) About positive surge voltage

To protect against a surge voltage that exceeds 50V between Vcc and GND please insert a power zener diode between Vcc terminal and GND.

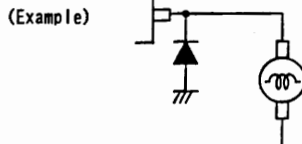


12) About negative surge voltage

To protect against a negative surge voltage, please insert a Schottky diode between the Vcc terminal and GND.



13) We recommend using Diode for protection purpose when the temperature so output voltage is off. This is to prevent against large loads of impedance or reverse current during initial stages or output off stage.



14) This monolithic IC contains P+ isolation and P substrate layers between adjacent elements in order to keep them isolated. P/N junctions are formed at the intersection of these P layers with the N layers of other elements to create a variety of parasitic elements. For example, when the resistors and transistors are connected to the pins as shown in the following figure.

○The P/N junction functions as a parasitic diode when $GND > Pin A$ for the resistor or $GND > Pin B$ for the transistor (NPN).

○Similarly, when $GND > Pin B$ for the transistor (NPN), the parasitic diode described above combines with the N layer of other adjacent elements to operate as a parasitic NPN transistor.

The formation of parasitic elements as a result of the relationships of the potentials of different pins is an inevitable result of the IC's architecture. The operation of parasitic elements can cause interference with circuit operation as well as IC malfunction and damage. For these reasons, it is necessary to use caution so that the IC is not used in a way that will trigger the operation of parasitic elements, such as by the application of voltages lower than the GND (P substrate) voltage to input pins. Keep in mind that the IC may malfunction in strong magnetic fields.

