

REVISION	DATE	ECR	DESCRIPTION	IPAGANO NAME	S. HARDINGE CHECKED
1	08/12/22	-	FIRST DRAWN		

CAMDENBOSS
CONNECT. ENCLOSE. INNOVATE.

DRAWING UNITS: MILLIMETERS
TOLERANCES: SEE CRITICAL DIMENSIONS

PROJECTION

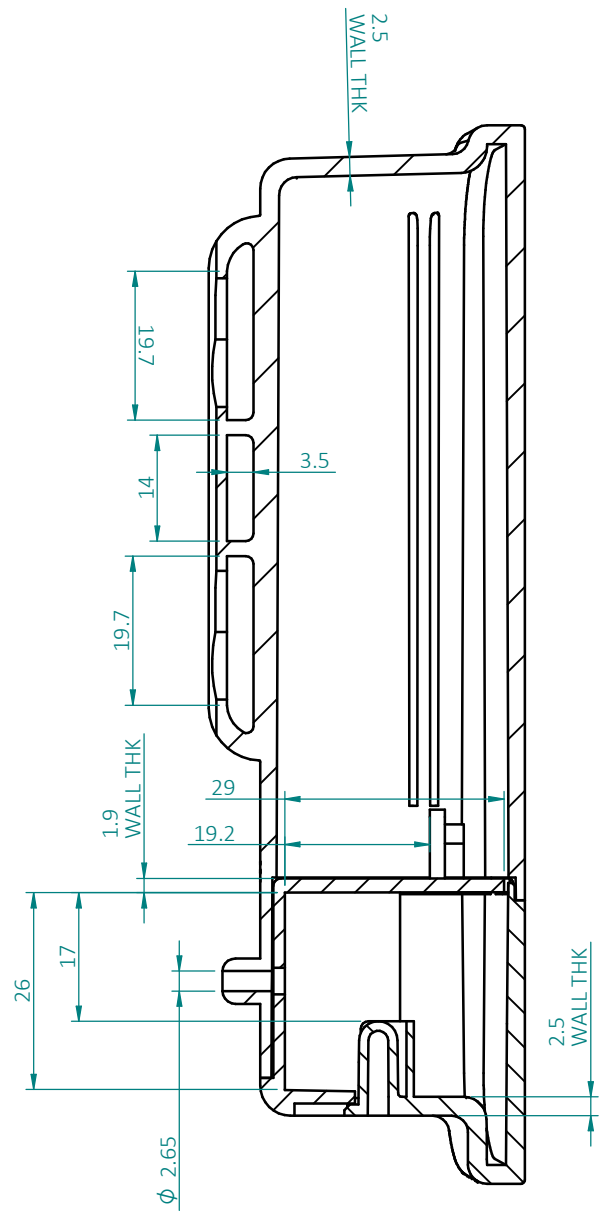
COLOR: ASA VU RESISTANT UL 94 - HB
FINISH: GLOSS
MATERIAL: OFF WHITE

GAUGE: DO NOT SCALE DRAWING
DEBURR AND BREAK SHARP EDGES

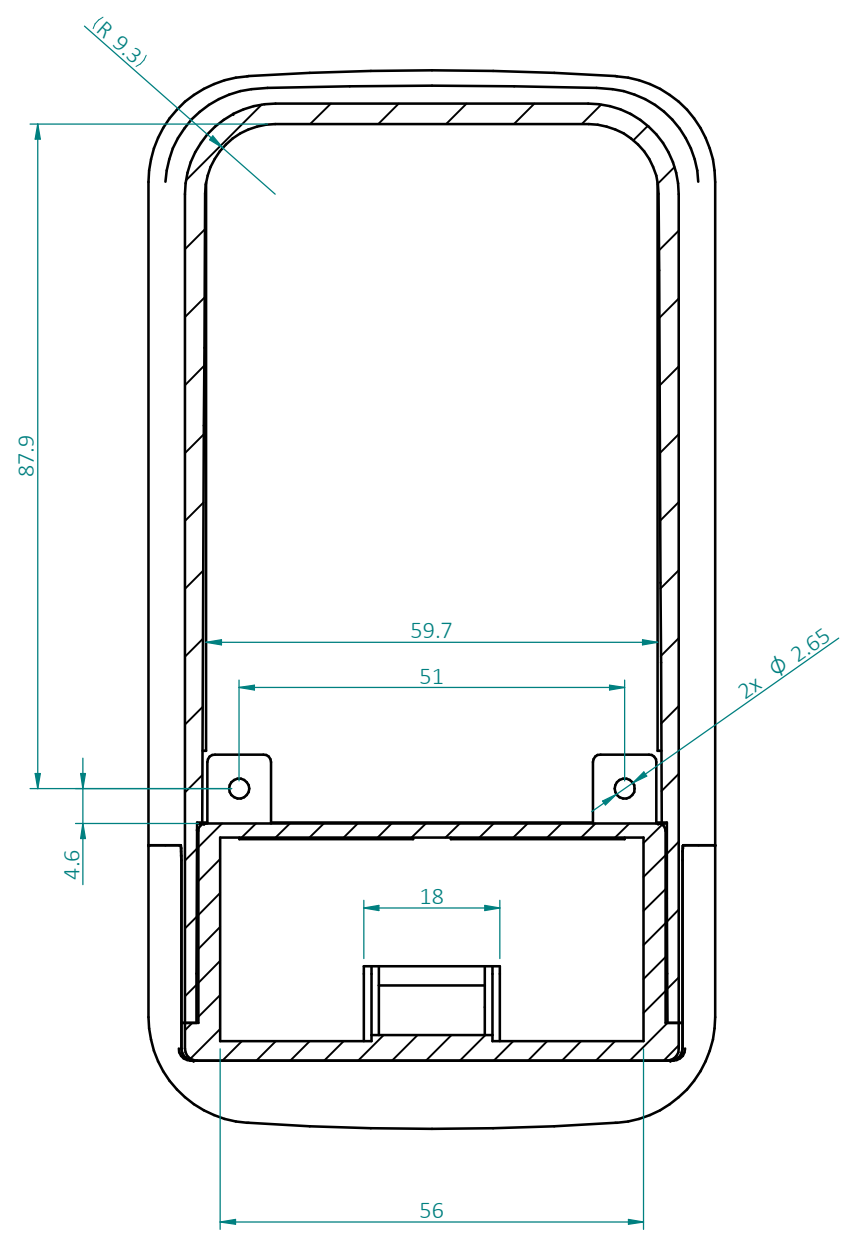
TITLE: OUTDOOR RAINPROOF NETWORK BOX

DWG NO: CUE7410WH

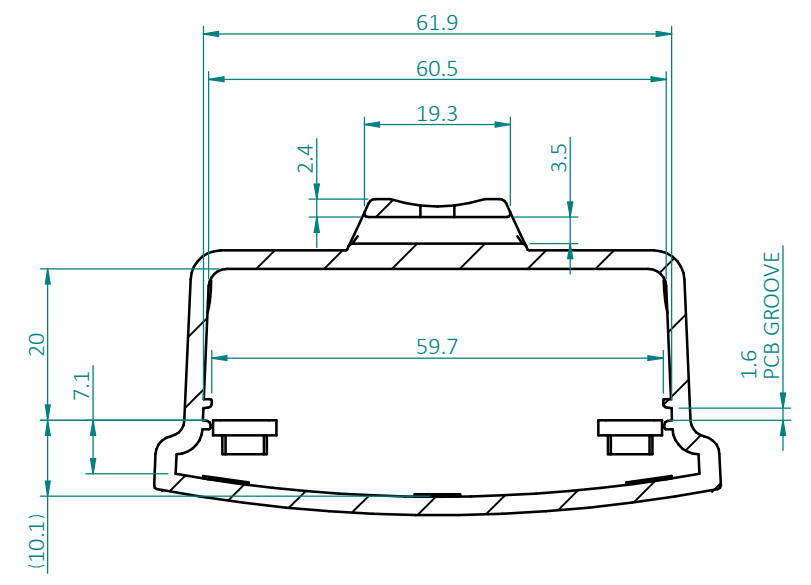
SCALE: 1:1
SHEET 1 OF 4
A3



SECTION A-A



SECTION B-B



SECTION C-C

REVISION	DATE	ECR	DESCRIPTION	IPAGAND NAME	S. HARDINGE CHECKED
1	08/12/22	-	FIRST DRAWN	-	-

CAMDENBOSS
CONNECT. ENCLOSE. INNOVATE.

DRAWING UNITS: MILLIMETERS
TOLERANCES: SEE CRITICAL DIMENSIONS

PROJECTION

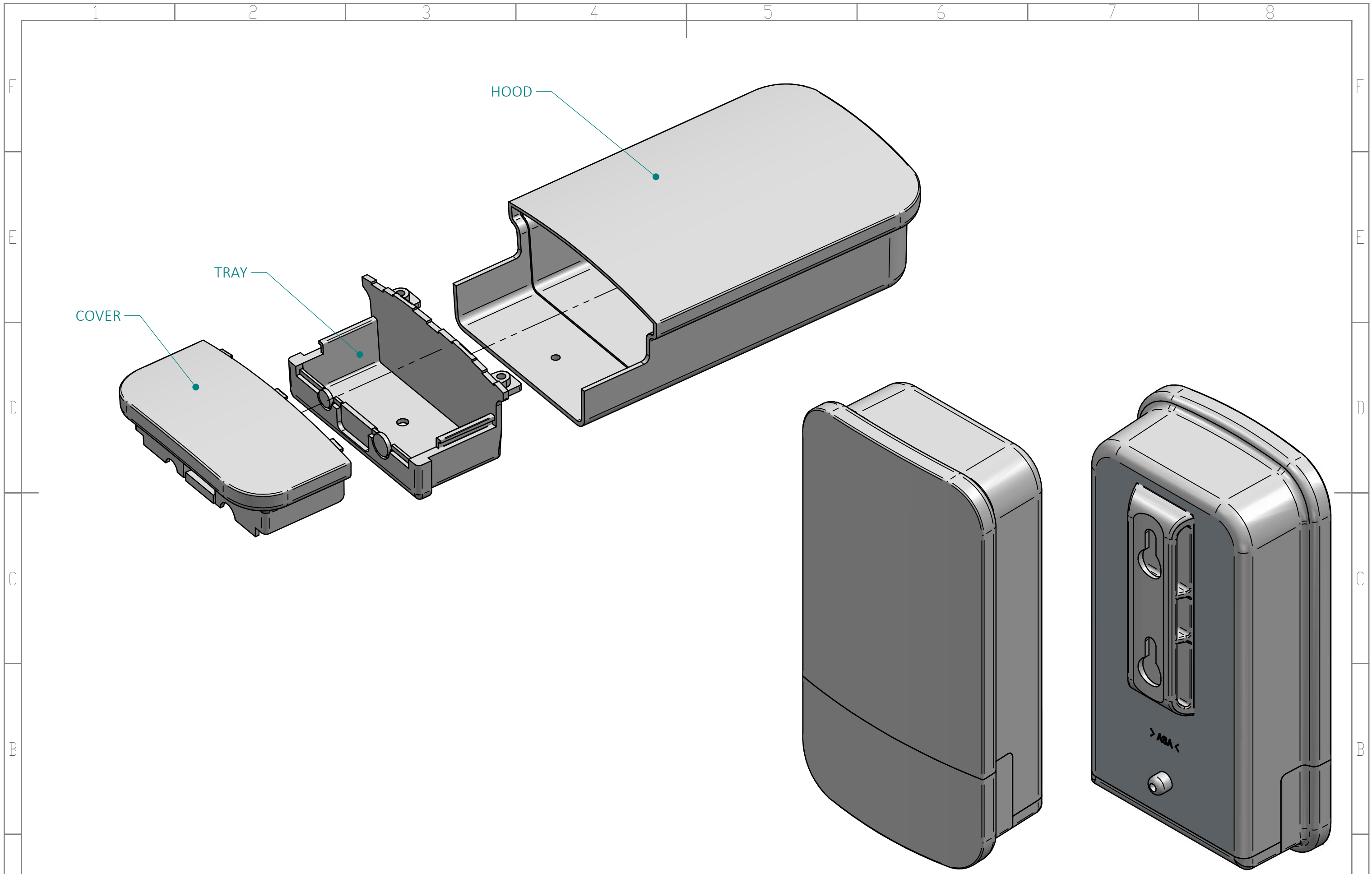
COLOR: ASA VU RESISTANT UL 94 - HB
FINISH: GLOSS
MATERIAL: OFF WHITE


GAUGE: DO NOT SCALE DRAWING
DEBURR AND BREAK SHARP EDGES

TITLE: OUTDOOR RAINPROOF NETWORK BOX

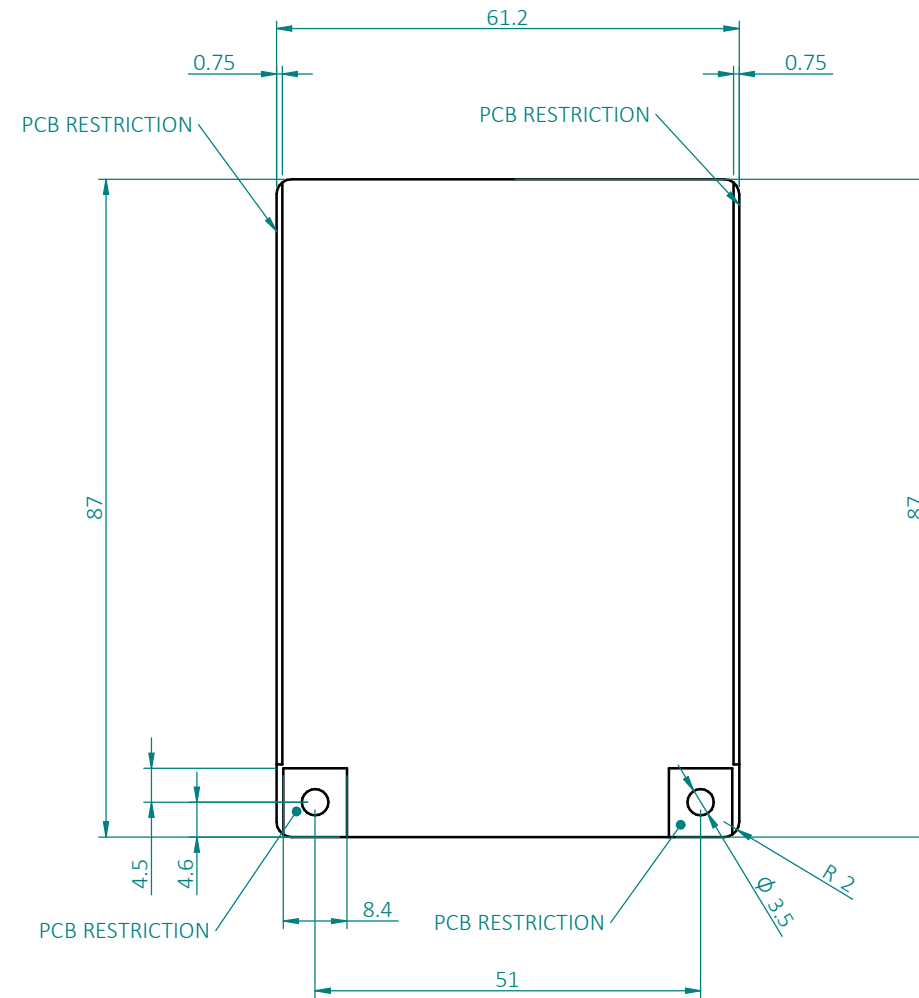
DWG NO: CUE7410WH


SCALE: 1:1
SHEET 2 OF 4
A3



-	-	-	-	-	-	 CAMDENBOSS CONNECT. ENCLOSE. INNOVATE.	COLOUR: ASA VU RESISTANT UL 94 - HB	GAUGE: DO NOT SCALE DRAWING DEBURR AND BREAK SHARP EDGES	SCALE: 1:1
-	-	-	-	-	-		FINISH: GLOSS	TITLE: OUTDOOR RAINPROOF NETWORK BOX	SHEET 3 OF 4
1	08/12/22	-	FIRST DRAWN	IPAGANO	S. HARDINGE		DRAWING UNITS: MILLIMETERS TOLERANCES: SEE CRITICAL DIMENSIONS	MATERIAL: OFF WHITE	DWG NO: CUE7410WH
REVISION	DATE	ECR	DESCRIPTION	NAME	CHECKED				

PCB DIMENSIONS



-	-	-	-	-	-	 CAMDENBOSS CONNECT. ENCLOSE. INNOVATE.	COLOUR: ASA VU RESISTANT UL 94 - HB	GAUGE: DO NOT SCALE DRAWING DEBURR AND BREAK SHARP EDGES	SCALE: 1:1
-	-	-	-	-	-		FINISH: GLOSS	TITLE: OUTDOOR RAINPROOF NETWORK BOX	SHEET 4 OF 4
1	08/12/22	-	FIRST DRAWN	IPAGANO	S. HARDINGE		DRAWING UNITS: MILLIMETERS TOLERANCES: SEE CRITICAL DIMENSIONS	MATERIAL: OFF WHITE	DWG NO: CUE7410WH
REVISION	DATE	ECR	DESCRIPTION	NAME	CHECKED				