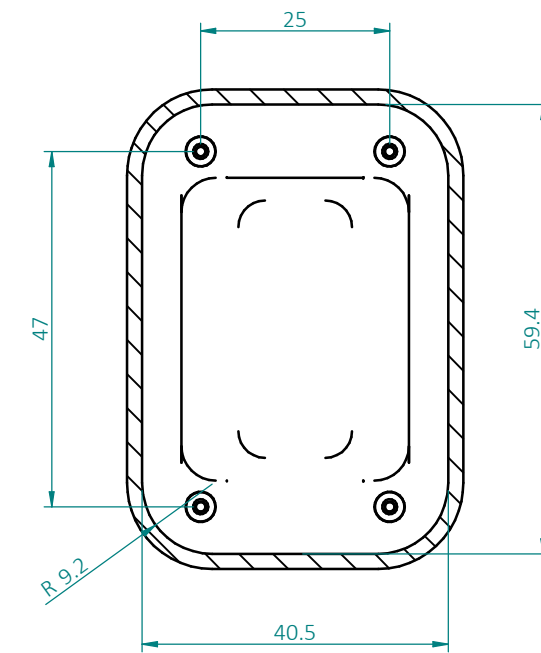
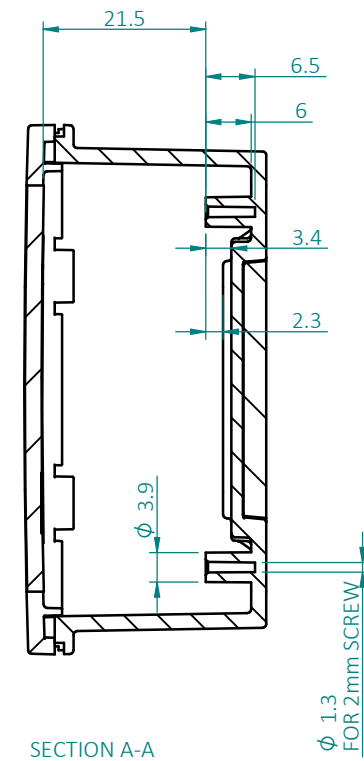
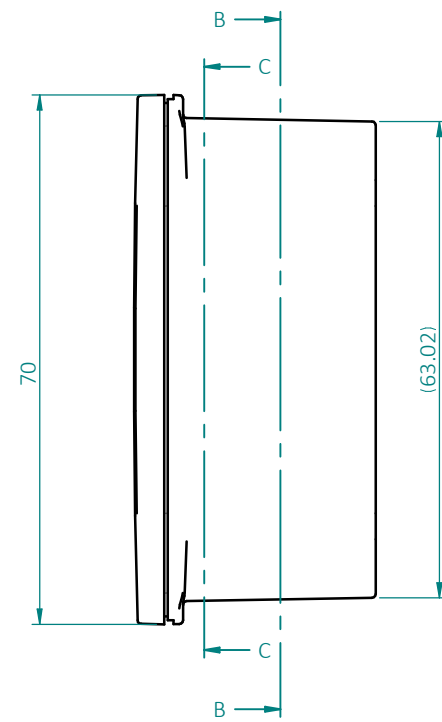
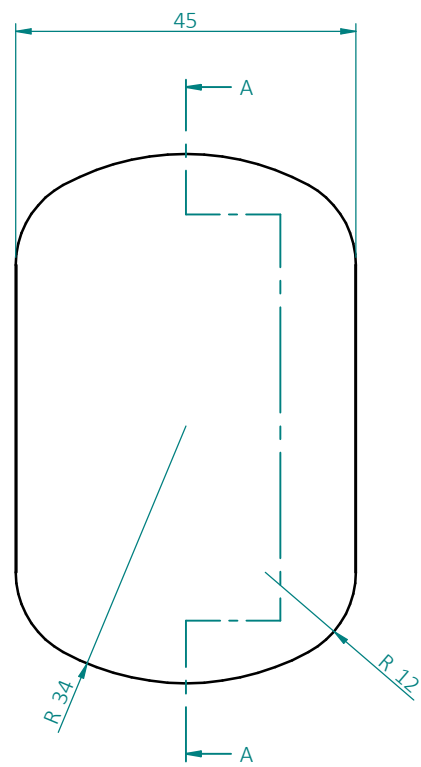


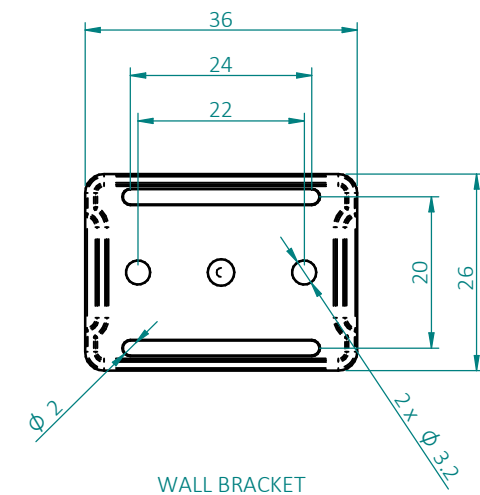
COVER DETAIL  
SECTION C-C



SECTION B-B  
BASE DETAIL



SECTION A-A



WALL BRACKET

REVISION	DATE	ECR	DESCRIPTION	NAME	CHECKED
A	09/12/22	-	FIRST DRAWN	IPAGANO	S.HARDINGE
-	-	-	-	-	-
-	-	-	-	-	-

<b>CAMDENBOSS</b> CONNECT. ENCLOSE. INNOVATE.	COLOUR: <b>WHITE</b>	GAUGE: DO NOT SCALE DRAWING DEBURR AND BREAK SHARP EDGES	SCALE: <b>1:2</b>
	FINISH: <b>GLOSS</b>	TITLE: <b>WALL MOUNT SMALL IOT PLASTIC CASE SIZE 2</b>	SHEET 1 OF 2
DRAWING UNITS: MILLIMETERS TOLERANCES: SEE CRITICAL DIMENSIONS	PROJECTION: 	MATERIAL: <b>ASA - UL 94 HB</b>	DWG NO: <b>CUE9920WH</b>

