

Step 11. Enter to the Thermocouple Type Input Submenu
Press **2** to display flashing, previously selected Thermocouple type.

Step 12. Scroll through available selection of TC types
Press **1** to sequence thru flashing Thermocouple types, (select k -for type "K" CHROMETM/ALOMEGATM)
J K T E N DIN J R S B C - TC types
J k t E N dN J R S b C - Display

Step 13. Store TC type
After you have selected the Thermocouple type press **2** to store your selection, the instrument automatically advances to the next menu item.

Step 14. Enter to Reading Configuration Menu
The display shows **RdD** Reading Configuration, which is the top menu for 4 submenus: Decimal Point, Degree Units, Filter Constant and Input/Reading Submenus.

Step 15. Enter to Decimal Point Submenu
Press **2** to show **dEC** Decimal Point.

Step 16. Display the Decimal Point position
Press **2** again to display the flashing Decimal Point position.

Step 17. Select the Decimal Point position
Press **1** to select **FFF.F** Decimal Point position.

Step 18. Store selected Decimal Point position
By pressing **2** momentarily the Decimal Point position will be stored and the instrument will go to the next menu item.

Step 19. Enter to Temperature Unit Submenu
Display shows **EEMP** Temperature Unit.

Step 20. Display available Temperature Units
Press **2** to display the flashing Degree **F** or **C**.

Step 21. Scroll through Temperature Units selection
Press **1** to select **F** Degree.

Step 22. Store the Temperature Unit
Press **2** to display momentarily that the Degree Unit has been stored and the instrument will go automatically to the next menu item.

Step 23. Enter the Filter Constant Submenu
Display shows **FLER** Filter Constant Submenu.

Step 24. Display the Filter Constant Value Submenu
Press **2** to display the flashing, previously selected Filter Constant.

Step 25. Scroll through available Filter Constants
Press **1** to sequence thru Filter Constants **0001**, **0002**, **0004**, **0008**, **0016**, **0032**, **0064** and **0128**.

Step 26. Store the Filter Constant
Press **2** momentarily to store **0004** Filter Constant and the instrument will automatically go to the next menu item.

Step 27. Enter Alarm 1 Menu
Press **2** until the **ALR1** Alarm 1 Menu appears on the Display. In the following steps we are going to Disable Latch, Active Above, Deadband 020.0, and above Setpoint 1 Value will activate Alarm 1.

Step 28. Select Latch Type Submenu
Press **2** to display flashing **LSbL** / **ENbL**. If flashing **LSbL** is displayed, press **2**, if **ENbL** is displayed, press **1** until **LSbL** is displayed, then press **2** to store and go to the next menu item.

Step 29. Select the Above Type of Active Submenu
Press **2**. If flashing **AbO** Above is displayed, press **2**, otherwise press **1** until **AbO** is displayed. Press **2** to store and advance to next menu item.

Step 30. Select the Deadband Value Submenu
Press **2**. The display will show **020.0**, otherwise press **1** or **2**. Press **2** to store and advance to next menu item.

Step 31. Enter the Alarm 2 Menu
The display will show **ALR2** the top menu for Alarm 2. Repeat steps from 29 and 30 to set for Alarm 2 the same conditions as for Alarm 1.

Step 32. Configuration of Display Color Selection
Press **2** until the **COLR** Display Color Selection Menu appears on the Display. Configure **COLR** as **W.CLR** / **GRN** (green), **Y.CLR** / **RED** (red), **P.CLR** / **AMBR** (amber). Please refer to the operator's manual if needed.

Note For color change on Setpoints refer to Owners Manual Section 2.

Step 33. Run a Test
Press **2** until reset the controller and return to **RUN** Mode to display **075.0** (Ambient Temperature). Now you are ready to observe temperature as it rises 10°F higher than displayed. Touch the tip of the Thermocouple to raise the temperature above the Alarm 2 High value **082.0**, and AL2 will turn on, and Display Color will change from Green to Amber. Continue touching the tip to raise the temperature above the Alarm 1 High value **087.0** and Display Color will change from Amber to Red. Annunciator "1" is turning on and off displaying output 1.

SPECIFICATION

<p>Accuracy: ±0.5°C temp; 0.03% rdg. process typical</p> <p>Resolution: 1°/0.1°; 10 µV process</p> <p>Temperature Stability: 0.04°C/°C RTD; 0.05°C/°C TC @ 25°C (77°F); 50 ppm/°C process</p> <p>Display: 4-digit, 7-segment LED, 101.6mm (4.00") with red, green, and amber programmable colors for process variable, set point and temperature units.</p> <p>Input Types: Thermocouple, RTD, Analog Voltage and Current</p> <p>TC: (ITS 90) J, K, T, E, R, S, B, C, N, L</p> <p>RTD: (ITS 68) 100/500/1000 ohm Pt sensor 2-, 3-, or 4-wire; 0.00385 or 0.00392 curve</p> <p>Voltage: 0 to 100 mV, 0 to 1 V, 0 to 10 Vdc</p> <p>Current: 0 to 20 mA (4 to 20 mA)</p>	<p>Output 1[†]: Relay 250 Vac @ 3 A Resistive Load, SSR, Pulse, Analog Voltage and Current</p> <p>Output 2[†]: Relay 250 Vac @ 3 A Resistive Load, SSR, Pulse</p> <p>[†] Only for Alarms</p> <p>Options: Communication RS-232 / RS-485 or Excitation: 24 Vdc</p> <p>Power: 100-240 Vac ±10%, 50-60 Hz, 22.5 W</p> <p>Dimensions: 480.0 L x 210.8 W x 95.4 D mm (18.11" x 8.31" x 3.76")</p> <p>Panel Cutout: 414.3 L x 179.4 W mm (16.31" L x 7.06" W)</p> <p>Weight: 2,495 g (5.5 lbs)</p> <p>Approvals: CE per EN61010-1:2001</p>
--	--

WARRANTY/DISCLAIMER

OMEGA ENGINEERING, INC. warrants this unit to be free of defects in materials and workmanship for a period of **61 months** from date of purchase. OMEGA's WARRANTY adds an additional one (1) month grace period to the normal **five (5) year product warranty** to cover handling and shipping time. This ensures that OMEGA's customers receive maximum coverage on each product. If the unit malfunctions, it must be returned to the factory for evaluation. OMEGA's Customer Service Department will issue an Authorized Return (AR) number immediately upon phone or written request. Upon examination by OMEGA, if the unit is found to be defective, it will be repaired or replaced at no charge. OMEGA's WARRANTY does not apply to defects resulting from any action of the purchaser, including but not limited to mishandling, improper interfacing, operation outside of design limits, improper repair, or unauthorized modification. This WARRANTY is VOID if the unit shows evidence of having been tampered with or shows evidence of having been damaged as a result of excessive corrosion; or current, heat, moisture or vibration; improper specification; misapplication; misuse or other operating conditions outside of OMEGA's control. Components in which wear is not warranted, include but are not limited to contact points, fuses, and triacs.

OMEGA is pleased to offer suggestions on the use of its various products. However, OMEGA neither assumes responsibility for any omissions or errors nor assumes liability for any damages that result from the use of its products in accordance with information provided by OMEGA, either verbal or written. OMEGA warrants only that the parts manufactured by the company will be as specified and free of defects. OMEGA MAKES NO OTHER WARRANTIES OR REPRESENTATIONS OF ANY KIND WHATSOEVER, EXPRESSED OR IMPLIED, EXCEPT THAT OF TITLE, AND ALL IMPLIED WARRANTIES INCLUDING ANY WARRANTY OF MERCHANTABILITY AND FITNESS FOR A PARTICULAR PURPOSE ARE HEREBY DISCLAIMED. LIMITATION OF LIABILITY: The remedies of purchaser set forth herein are exclusive, and the total liability of OMEGA with respect to this order, whether based on contract, warranty, negligence, indemnification, strict liability or otherwise, shall not exceed the purchase price of the component upon which liability is based. In no event shall OMEGA be liable for consequential, incidental or special damages.

CONDITIONS: Equipment sold by OMEGA is not intended to be used, nor shall it be used: (1) as a "Basic Component" under 10 CFR 21 (NRC), used in or with any nuclear installation or activity; or (2) in medical applications or used on humans. Should any Product(s) be used in or with any nuclear installation or activity, medical application, used on humans, or misused in any way, OMEGA assumes no responsibility as set forth in our basic WARRANTY/DISCLAIMER language, and, additionally, purchaser will indemnify OMEGA and hold OMEGA harmless from any liability or damage whatsoever arising out of the use of the Product(s) in such a manner.

RETURN REQUESTS/INQUIRIES

Direct all warranty and repair requests/inquiries to the OMEGA Customer Service Department. BEFORE RETURNING ANY PRODUCT(S) TO OMEGA, PURCHASER MUST OBTAIN AN AUTHORIZED RETURN (AR) NUMBER FROM OMEGA'S CUSTOMER SERVICE DEPARTMENT (IN ORDER TO AVOID PROCESSING DELAYS). The assigned AR number should then be marked on the outside of the return package and on any correspondence.

FOR **WARRANTY** RETURNS, please have the following information available BEFORE contacting OMEGA:

1. Purchase Order number under which the product was PURCHASED,
2. Model and serial number of the product under warranty, and
3. Repair instructions and/or specific problems relative to the product.

OMEGA's policy is to make running changes, not model changes, whenever an improvement is possible. This affords our customers the latest in technology and engineering.

OMEGA is a trademark of OMEGA ENGINEERING, INC.

© Copyright 2018 OMEGA ENGINEERING, INC. All rights reserved. This document may not be copied, photocopied, reproduced, translated, or reduced to any electronic medium or machine-readable form, in whole or in part, without the prior written consent of OMEGA ENGINEERING, INC.

MQS3720/0818

QUICK START

5 YEAR
WARRANTY

iSeries



iLD44-UTP
Big Display Universal
Temperature & Process
Simplified Menu (-SM)

OMEGATM

omega.com info@omega.com

Servicing North America:

U.S.A. Headquarters: Omega Engineering, Inc.
Toll-Free: 1-800-826-6342 (USA & Canada only)
Customer Service: 1-800-622-2378 (USA & Canada only)
Engineering Service: 1-800-872-9436 (USA & Canada only)
Tel: (203) 359-1660 Fax: (203) 359-7700
e-mail: info@omega.com

For Other Locations Visit omega.com/worldwide

The information contained in this document is believed to be correct, but OMEGA accepts no liability for any errors it contains, and reserves the right to alter specifications without notice.



This Quick Start Reference provides information on setting up your instrument for basic operation. The latest complete Communication and Operational Manual as well as free Software and ActiveX Controls are available at www.omega.com or on the CD-ROM enclosed with your shipment.

SAFETY CONSIDERATION

Warning: This device is marked with the international Caution symbol.

The instrument is a panel mount device protected in accordance with EN 61010-1:2001, electrical safety requirements for electrical equipment for measurement, control and laboratory. Remember that the unit has no power-on switch. Building installation should include a switch or circuit-breaker that must be compliant to IEC 947-1 and 947-3.

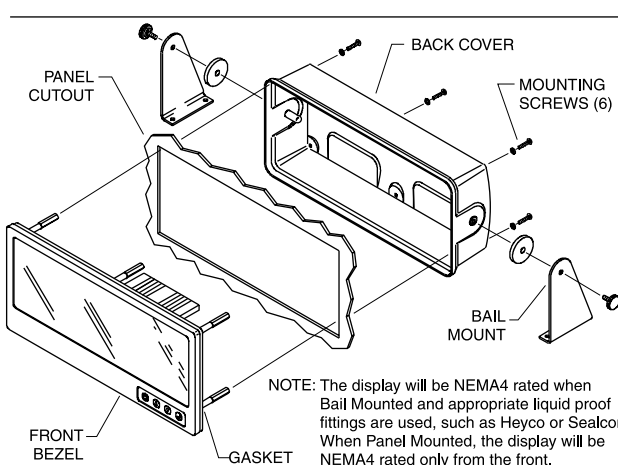
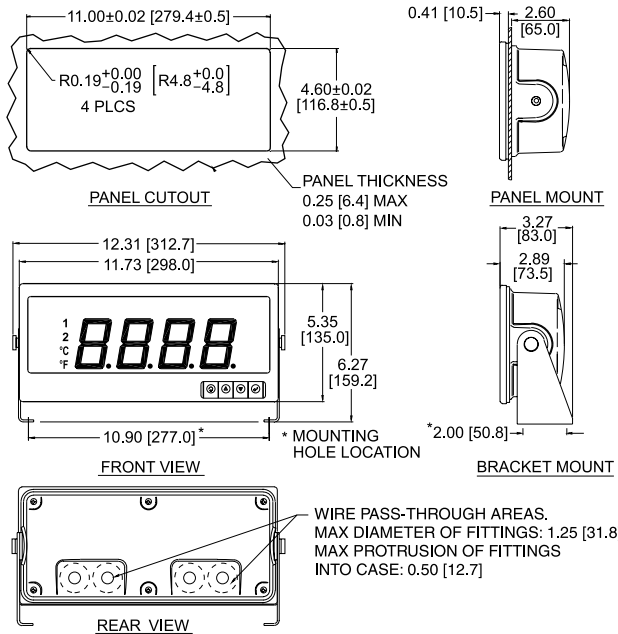
SAFETY:

- Do not exceed voltage rating on the label located on the back of the instrument housing.
- Always disconnect power before changing signal and power connections.
- Do not use this instrument on a work bench without its case for safety reasons.
- Do not operate this instrument in flammable or explosive atmospheres.

EMC:

- Whenever EMC is an issue, always use shielded cables.
- Never run signal and power wires in the same conduit.
- Use signal wire connections with twisted-pair cables.
- Install Ferrite Bead(s) on signal wire close to the instrument if EMC problems persist.

MOUNTING



Mounting Big Display Through Panel:

- Using the panel cutout diagram shown, cut an opening in the panel.
- Remove six screws at the back of Big Display to remove back cover.
- Insert the unit into the opening from the front of the panel, so the gasket seals between the bezel and the front of the panel.
- Align back cover to Big Display and reinstall screws.

Mounting Big Display on Bail:

- Mark the location of mounting screws on the flat surface.
- Be sure to leave enough room around the bail to allow for removal and rotation of the display.
- The display can be rotated for the best viewing angle.

Disassembly Instruction:

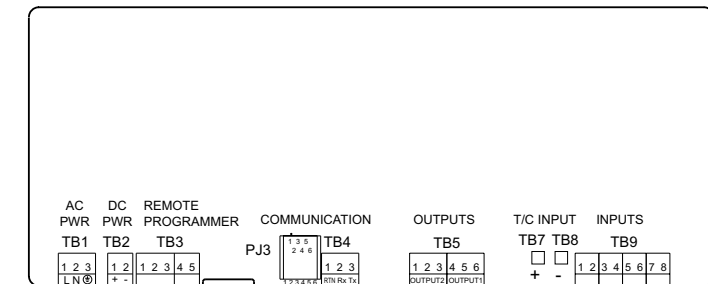
Warning: Disconnect all ac power from the unit before proceeding.

- Remove all wiring connections from the rear of the instrument, by unscrewing the power and input connectors.
- Remove six screws at the back of the display and back cover.
- Remove the Big Display from the panel.
- To remove the Big Display from the bail, unscrew the two knobs at each end of the mounting brackets.

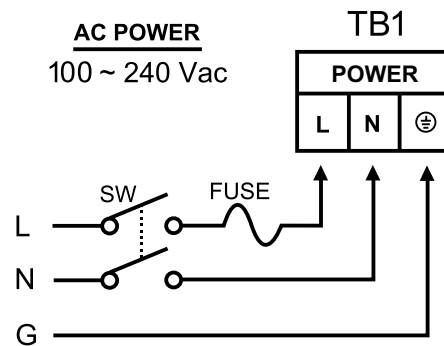
WIRING

Wire the instrument according to the Input and Output Wiring Connections described in your Operator's Manual.

Warning: Do not connect ac power to your device until you have completed all input and output connections. This device must only be installed by a specially trained electrician with corresponding qualifications. Failure to follow all instructions and warnings may result in injury!



Connect the main ac power connections as shown in the figure below.



CONFIGURATION

MENU Mode:

Flashing display in MENU Mode means you can make your selection by pressing **▲** button. If the flashing display is not a four digit value, pressing **▼** button will always direct the instrument one step backward of the top menu item. The second push on the **▼** button will reset the instrument except after the setpoint and the alarms, that will go to the RUN Mode without resetting the instrument. The **▶** button will always sequence the instrument thru the menu items.

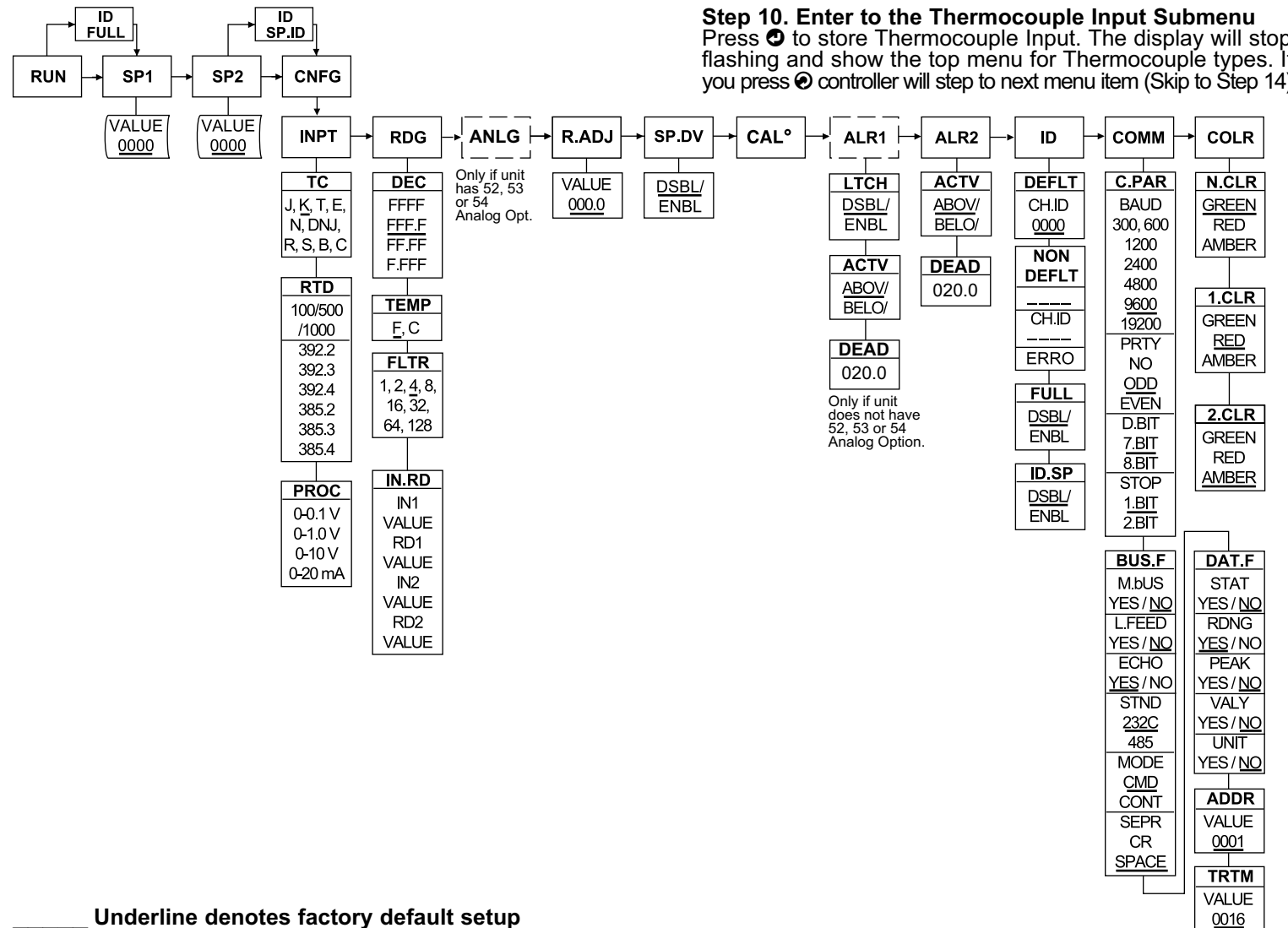
The **▶ button has two functions:**

- To save a selected flashing display
- To direct the instrument to the next submenu level

RUN Mode:

- causes the display to flash the PEAK with the corresponding value. Press again to go back to RUN Mode.
- causes the display to flash VALLEY with the corresponding value. Press again to go back to RUN Mode.
- causes flashing PEAK or VALLEY to reset corresponding values. Pressing **▶** twice will cause the display to flash **SEtPt** and put the instrument into standby, which disables all outputs and alarms. Press **▶** one more time to go back to RUN Mode.

FLOW CHART



Underline denotes factory default setup

OPERATION - (For Thermocouple Input)

Step 1. Apply Power to the Instrument

When your device is first powered up it will display the ambient temperature (assume 75°F).

Step 2. Enter Setpoint 1 Menu

Press **▶** one time from run mode to get to **SP1** Setpoint 1.

Step 3. Enter the Setpoint 1 Value Submenu

Press **▶**. Display shows the previous selection of Setpoint 1.

Step 4. Change the Setpoint 1 Value

Press **▲** or **▼** until desired value is displayed.

Step 5. Store the Setpoint 1 Value

Set the Setpoint 1 to 10 degree higher than Process value (SP1 = 85) and press **▶** to store, display flashes **SEtPt** message and advances to **SP2** Setpoint 2 Menu.

Step 6. Store the Setpoint 2 Value

Repeat steps 3 and 4. Set the Setpoint 2 to 5 degree higher than Process value (SP2 = 80) and press **▶** to store, display flashes **SEtPt** message and advances to **CNFG** Configuration Menu.

Step 7. Enter the Input Type Menu

Press **▶** to enter **INPT** Input Type Menu.

Step 8. Enter to the submenu items of Input Menu

Press **▶** to display Input: Process, RTD or Thermocouple. If flashing **SEtPt** is displayed press **▶** and proceed to Step 11.

Step 9. Scroll through available selection of Input Menu

Press **▶** until a flashing **SEtPt** for Thermocouple is displayed.

Step 10. Enter to the Thermocouple Input Submenu

Press **▶** to store Thermocouple Input. The display will stop flashing and show the top menu for Thermocouple types. If you press **▶** controller will step to next menu item (Skip to Step 14).