



MAXIMUM SECURITY



PARENTAL CONTROL



DESIGNED FOR
ADSL



WIRELESS G ADSL2+ 4-PORT MODEM ROUTER

HIGH-SPEED ADSL2/2+ INTERNET CONNECTION

Latest ADSL2/2+ standards provide Internet transmission of up to 24Mbps downstream, 1Mbps upstream

ALL-IN-ONE SINGLE BOX SOLUTION

Built-in ADSL interface, 54Mbps wireless LAN, 4-port Ethernet switch, QoS and firewall protection, all in one single desktop box

TOTAL COMPATIBILITY & EASE OF USE

Works with all major Internet service providers, supports UPnP, easily installable by home and office users



ULTIMATE INTERNET CONNECTION

The DSL-2640R wireless ADSL router is an affordable high performance ADSL router fit for homes and small offices. With integrated ADSL2/2+ supporting up to 24Mbps download speed, 802.11g wireless LAN, firewall protection, Quality of Service (QoS) and 4-port switch, this router provides all the essentials that a home or small office needs to establish a secure and high-speed remote link to the outside world.

AFFORDABLE HIGH-SPEED CONNECTION FOR HOMES & SMALL OFFICES

Designed as a very affordable high performance ADSL router for home and SOHO users, the DSL-2640R provides not only low-cost, high-speed Internet connection, but also the security and Quality of Service (QoS) required by users in today's high risk and versatile Internet environments.

READY WIRED & WIRELESS LAN CONNECTION

The DSL-2640R provides an integrated 802.11g WLAN interface supporting wireless speeds of up to 54Mbps and interoperability with 802.11b wireless devices on the 2.4GHz frequency band. It also provides four 10/100Mbps Ethernet switch ports for ready workstations connection. These built-in functions save you the cost and trouble of installing a separate wireless access point and an Ethernet switch.

FIREWALL PROTECTION & QoS

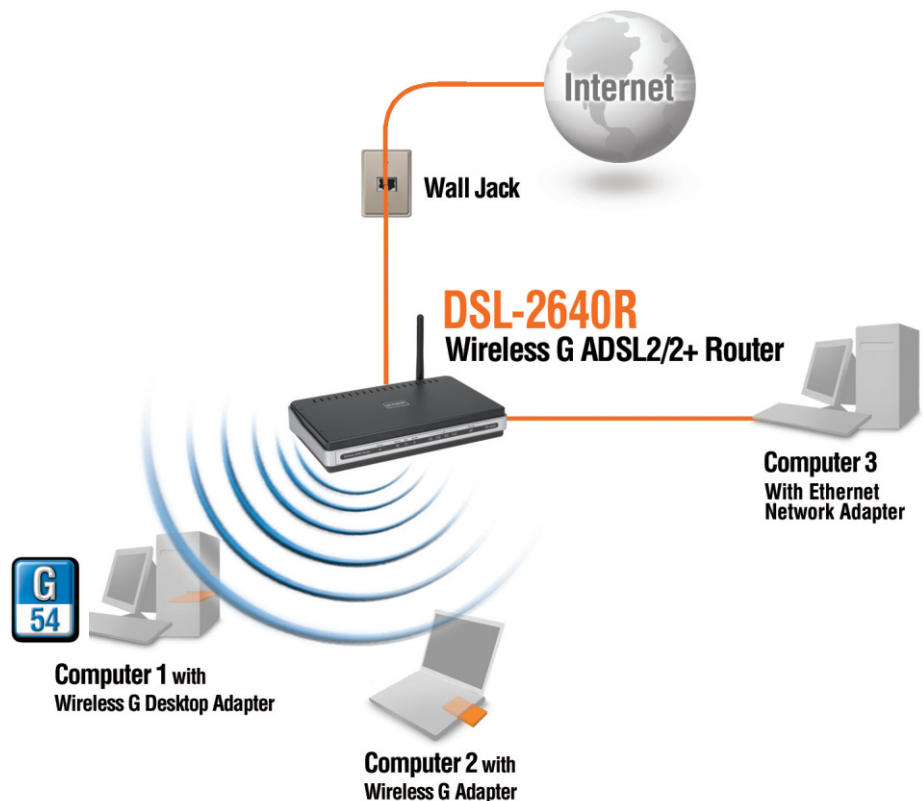
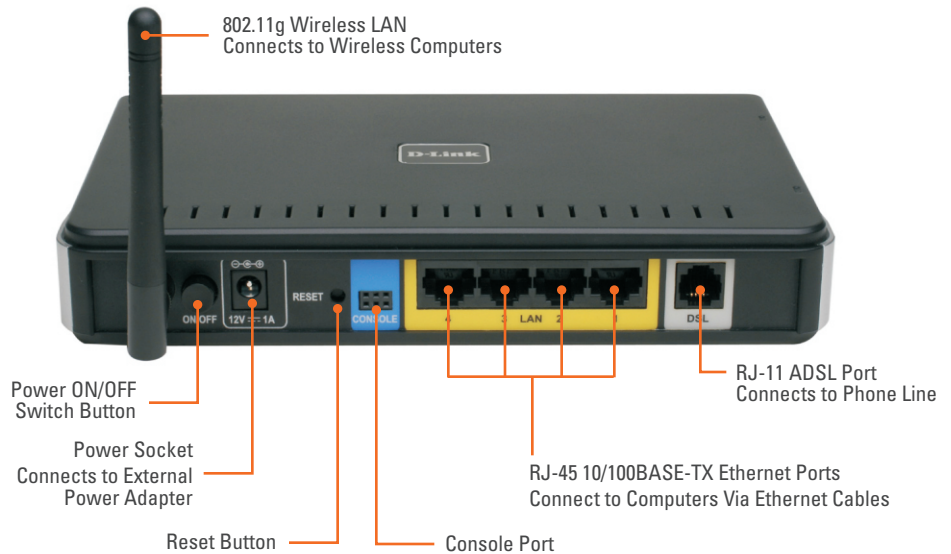
Security features prevents unauthorized access to the home and office network from Internet intruders. The router provides firewall security using Stateful Packet Inspection (SPI) and Denial of Service (DoS) attack protection. SPI inspects the contents of all incoming packet headers before deciding what packets are allowed to pass through. Router access control is provided with packet filtering based on port and source/destination MAC/IP addresses. For Quality of Service (QoS), the router supports multiple priority queues to enable a group of home or office users to experience the benefit of smooth network connection of inbound and outbound data without concern of traffic congestion. This QoS support allows users to enjoy high ADSL transmission for applications such as VoIP, streaming multimedia and online games over the Internet.

WHAT THIS PRODUCT DOES

This wireless ADSL router connects to the Internet using an integrated high-speed ADSL2/2+ interface. Multiple computers at home or the office can share its high-speed Internet connection. The router provides firewall protection and QoS for secure and smooth online gaming, voice communication and downloading of photos, files, music and video over the Internet. Built-in 802.11g wireless LAN provides ready connection for wireless users, while 4 Ethernet ports provide connection to computers through the Ethernet cables.

GET HIGH-SPEED ADSL SPEED

Ready DSL connection with up to 8Mbps downstream and 1Mbps upstream. Watch TV, listen to live music and broadcast over the Internet, play games and experience clear Internet phone calls. Now, smooth streaming multimedia and VoIP voice are possible at home and in the office through a simple connection to this router.



TECHNICAL SPECIFICATIONS

HARDWARE

NETWORK INTERFACE

- + RJ-11 ADSL port

ADSL STANDARDS

- + ANSI T1.413 Issue 2
- + ITU G.992.1 (G.dmt) Annex A
- + ITU G.992.2 (G.lite) Annex A
- + ITU G.994.1 (G.hs)

ADSL2 STANDARDS

- + ITU G.992.3 (G.dmt.bis) Annex A
- + ITU G.992.4 (G.lite.bis) Annex A

ADSL2+ STANDARDS

- + ITU G.992.5 Annex A

LINE RATE

- + Downstream: up to 24Mbps
- + Upstream: up to 1 Mbps

PERFORMANCE

- + Pass DSL forum TR-067 performance criteria

LAN/HOST INTERFACE

- + Four RJ-45 10/100Mbps MDI/MDIX auto-sensing Fast Ethernet ports
- + STANDARD COMPLIANCE: IEEE 802.3, IEEE 802.3u

WIRELESS LAN STANDARD

- + IEEE 802.11
- + IEEE 802.11b
- + IEEE 802.11g

WLAN OPERATING FREQUENCY

- + 2.4GHz ~ 2.4835GHz

WLAN DATA RATES

- + IEEE 802.11b: 11 5.5 2 and 1Mbps
- + IEEE 802.11g: 6, 9, 12, 18, 24, 36, 48, 54 Mbps

Maximum Wireless Output Power (EIRP)

- + 19dBm

ANTENNA

- + 2dBi Detachable diversity antenna

LED INDICATORS

- + Power
- + Ethernet Link/Act
- + Wireless Link/Act
- + ADSL Link/Act
- + Internet Link/Act

POWER

- + External linear power adapter
- + Reset button
- + Power dying gasp
- + TR-068

SOFTWARE

BRIDGING/ROUTING

- + Transparent bridging
- + Spanning tree
- + IPv4
- + IP Routing
- + IP Static Routing
- + IP Multicast
- + DHCP
- + DNS

ATM/ADSL

- + Multiple PVC
- + ATM Cell format
- + ATM Adaptation Layer
- + OAM support
- + ATM QoS (Traffic Shaping)
- + AIS
- + RDI OAM cells
- + VC and LLC multiplexing

PPP

- + Point-to-Point Protocol
- + PP over ATM
- + PP over Ethernet
- + User Authentication

WLAN

- + Hide SSID
- + WEP Encryption
- + WPA-PSK
- + Configure RTS/CTS and Fragmentation Threshold
- + MAC Address Filter

SECURITY

- + NAT
- + VPN pass through
- + NAT ALG: CUSeeMe, ICQ, IRC, LDAP, PPTP, FTP, Quake, RTSP, SIP, H.323, Netbios over TCP/IP
- + Web page content filtering
- + Remote User Access Control
- + Virtual Server

PORT MAPPING QOS

- + Ethernet port
- + Wireless interface
- + 802.1q based priority

IP QOS

- + 802.1p based priority
- + IPv4 TOS priority
- + Diffserv QoS

CONFIGURATION/MANAGEMENT

- + Administration
- + HTTP Server
- + Telnet
- + TFTP/FTP
- + SNMP v.2c
- + Remote Management
- + Diagnostic
- + UPNP

EVENT LOG

- + Real-time email alert and event log

TR-069

PHYSICAL & ENVIRONMENTAL

SAFETY

- + CSA International including CSA950, UL1950, IEC60950, EN60950

EMC

- + FCC Part 15 Class B
- + CE Class B

PTT

- + FCC Part 68

WIRELESS CERTIFICATION

- + Wi-Fi certified
- + FCC Part 15 Subpart C
- + CE EN 300 328

OPERATING TEMPERATURE

- + 0 °C to 40 °C

STORAGE TEMPERATURE

- + -20 °C to 70 °C

OPERATING HUMIDITY

- + 5% to 95% non-condensing

