

OXPCIe952, PCI Express to Dual Serial and Parallel Port

Highlights

■ General Features

- Dual UART or single UART plus IEEE1284 parallel port configurations
- PCIe x1 end-point
 - Integrated 2.5 GT/s SerDes
- 11 x 11mm², 120-pin TFBGA package
- Typical Power: 200 mWatts

■ Key Features

- **Standards Compliant**
 - PCI Express Base Specification, r1.1 (backwards compatible with PCIe r1.0a)
 - PCI Power Management Spec, r1.2
 - ExpressCard, Mini Card & AIC compatible
 - MSI/MSI-X compatible
 - ASPM (LOS, L1) Link power management
- **High Performance**
 - PLX's Oxford 950 UART
 - DMA/bus mastering of both UARTs
 - Asynchronous baud rates up to 15 Mbps
 - 128-byte deep transmit/receive FIFO
 - 9, 8, 7, 6 & 5-bit data framing
 - Automated in & out-of-band flow control
 - Advanced FIFO fill management
 - IEEE1284, SPP/EPP/ECP compliant parallel port
- **Flexibility**
 - RS232, RS422, RS485 and IrDA operation
 - Flexible clock pre-scaler from 1 to 31.875
 - Programmable RS485 Turn-around delay
 - 450 through 950 software compatibility
 - 8 user-configurable GPIOs/PWMs
 - Device parameters configurable via EEPROM
 - 1.8V, 2.5V or 3.3V UART & GPIO I/O voltage
- **Robust Operation**
 - Operation from a single 3.3 V supply
 - Industrial temperature range -40°C to 85°C
- **Broad Device Driver Support**
 - Windows Vista/XP/2K
 - WinCE 4.2/5.0/6.0
 - Linux 2.4/2.6

Part of the **Expresso** family of high performance PCI Express devices, the OXPCIe952 is a single chip dual serial and parallel port device in a range of 2, 4 & 8 port solutions, that includes the OXPCIe954 & OXPCIe958.

Incorporating PLX Technology's ultra high performance Oxford 950 UART technology, the device combines outstanding system performance with unrivalled flexibility for even the most demanding of serial applications.

Complete with the Oxide development tools and certified device drivers, the OXPCIe952 is easy to design-in and the ideal connectivity solution for a diverse range of products including: PC Add-on Cards, Industrial PC, Point of Sale Terminals, Industrial Control, Building Automation and Network Management.

Accelerate your product development and time to market with Oxide and PLX Technology's easy to design-in, high performance serial connectivity solutions that just work.



OXPCIe952, PCI Express to Dual Serial and Parallel Port

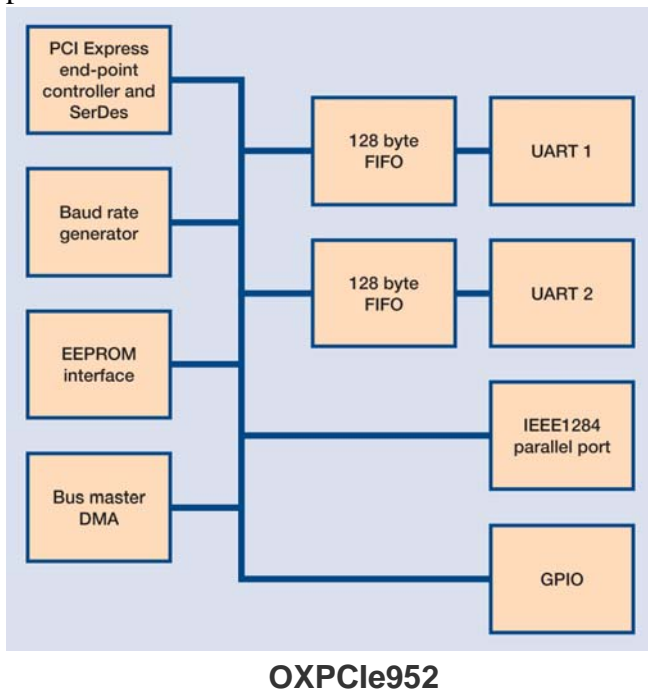
Outstanding Performance

The OXPCIe952 achieves ultra high performance by combining the class leading 15Mbps asynchronous data rates and deep FIFOs of PLX's Oxford 950 UART, with advanced MSI interrupt handling and bus master DMA for maximum throughput, minimum CPU overhead and optimal system performance.

Configurable as two serial ports or one serial and one parallel port the OXPCIe952 includes a host of advanced features such as, automated in-band flow control, readable FIFO levels and RS485 turnaround delay, that provides further scope to fine tune performance, while its flexible clock pre-scaler provides for a wide range of baud rates.

With comprehensive power management and industrial temperature range as standard, the OXPCIe952 is perfect for power and temperature sensitive ExpressCard and MiniCard designs and is *the* choice for high performance systems.

To support these advanced features the OXPCIe952 is backed by a dedicated PLX device driver that is quality assured, exhaustively tested and WHQL approved; saving development time and providing peace of mind.



Development Support



Design and evaluation of the OXPCIe952 couldn't be easier with this comprehensive reference design kit (RDK). The RDK includes everything you need for PC installation and evaluation including Hardware, Oxide Development Tools and software device drivers. Simply plug the half length PCI Express evaluation board into any PCI Express slot, install the software and its ready to go.



Changing the dynamics of device customization, Oxide development tools enable customization of the OXPCIe952 in minutes. No more complex, time consuming, error prone manual editing of programming files and driver source code; Oxide's intuitive graphical user interface provides simple 'point and click' feature selection and text box entry for fast, error free customization with minimal software expertise as well as instant access to up to date documentation, software and reference designs. Check the PLX website for details.

Ordering Information

Part Number	Description
OXPCIe952-FBAG	Dual Serial & Parallel Port Bridge
EK-OXPCIe952	Reference Design Kit