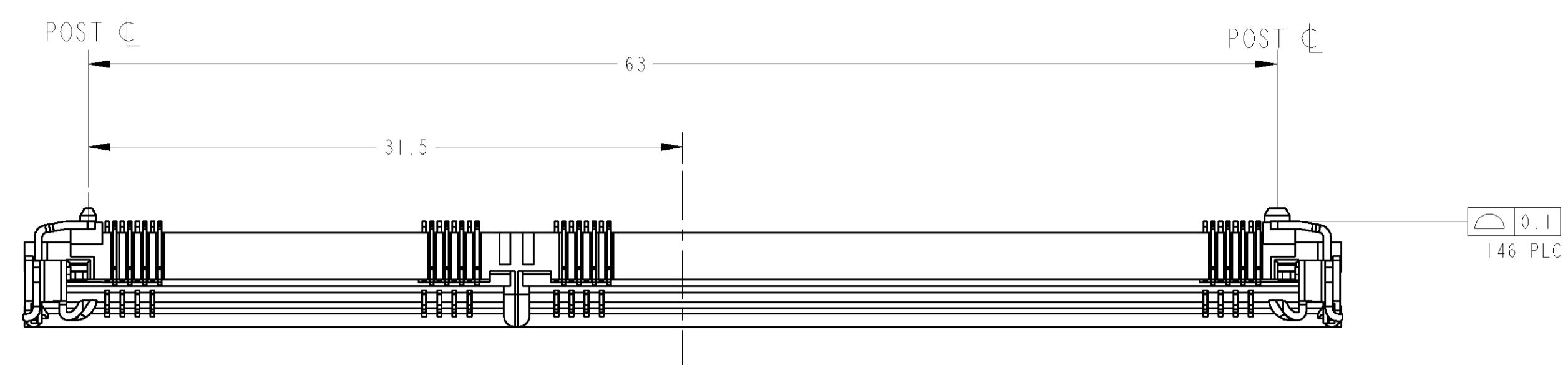
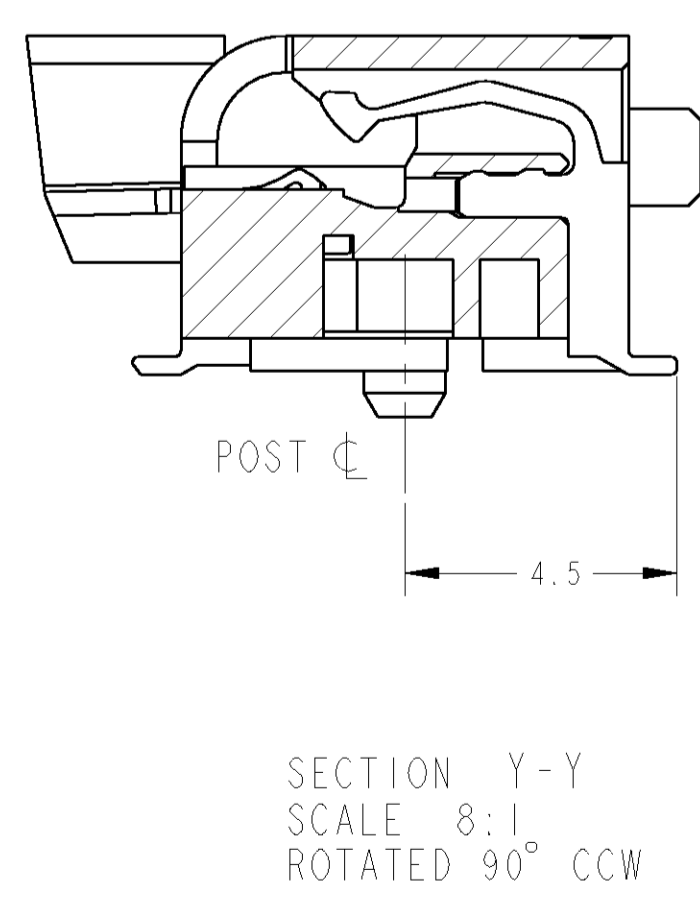
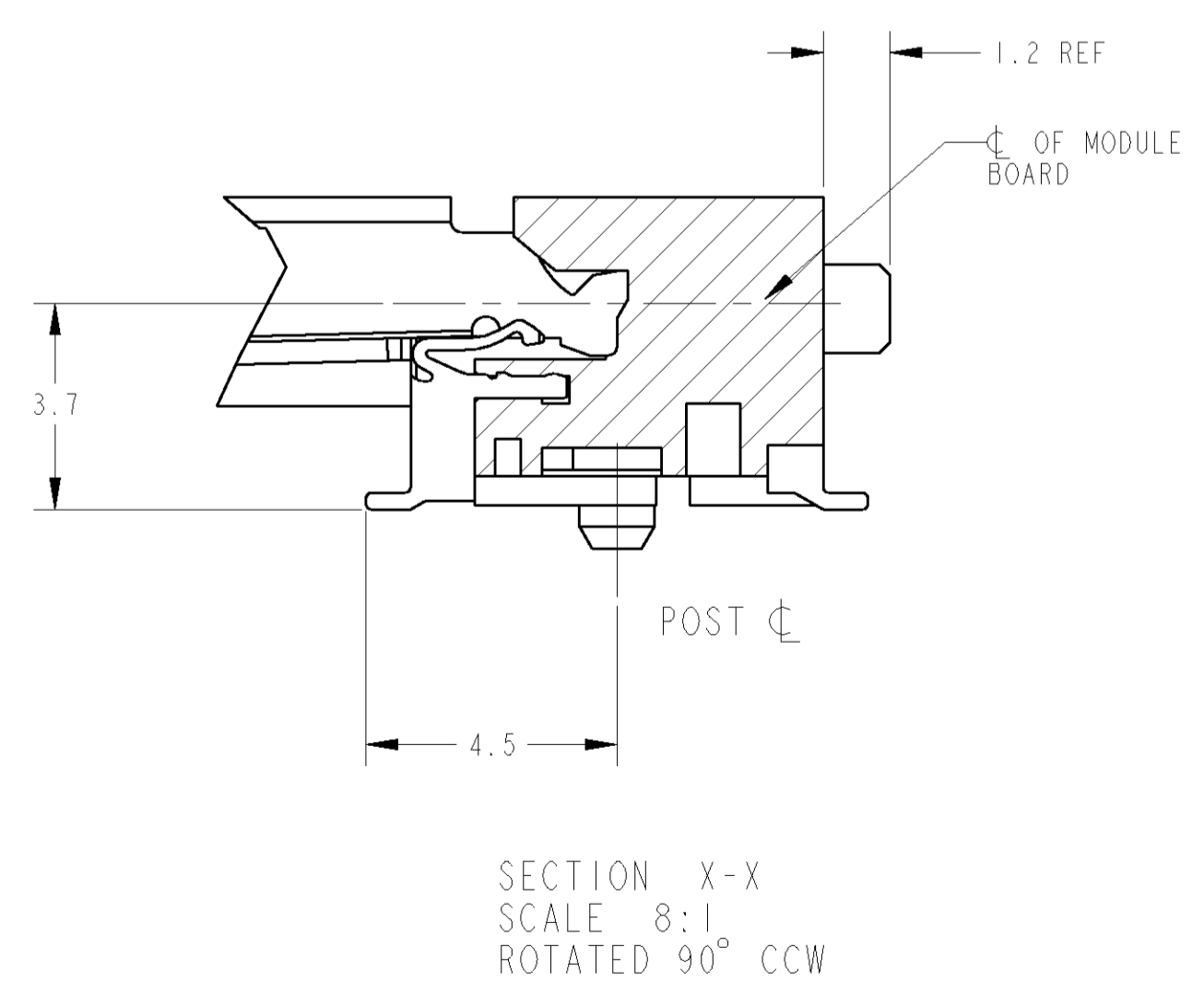
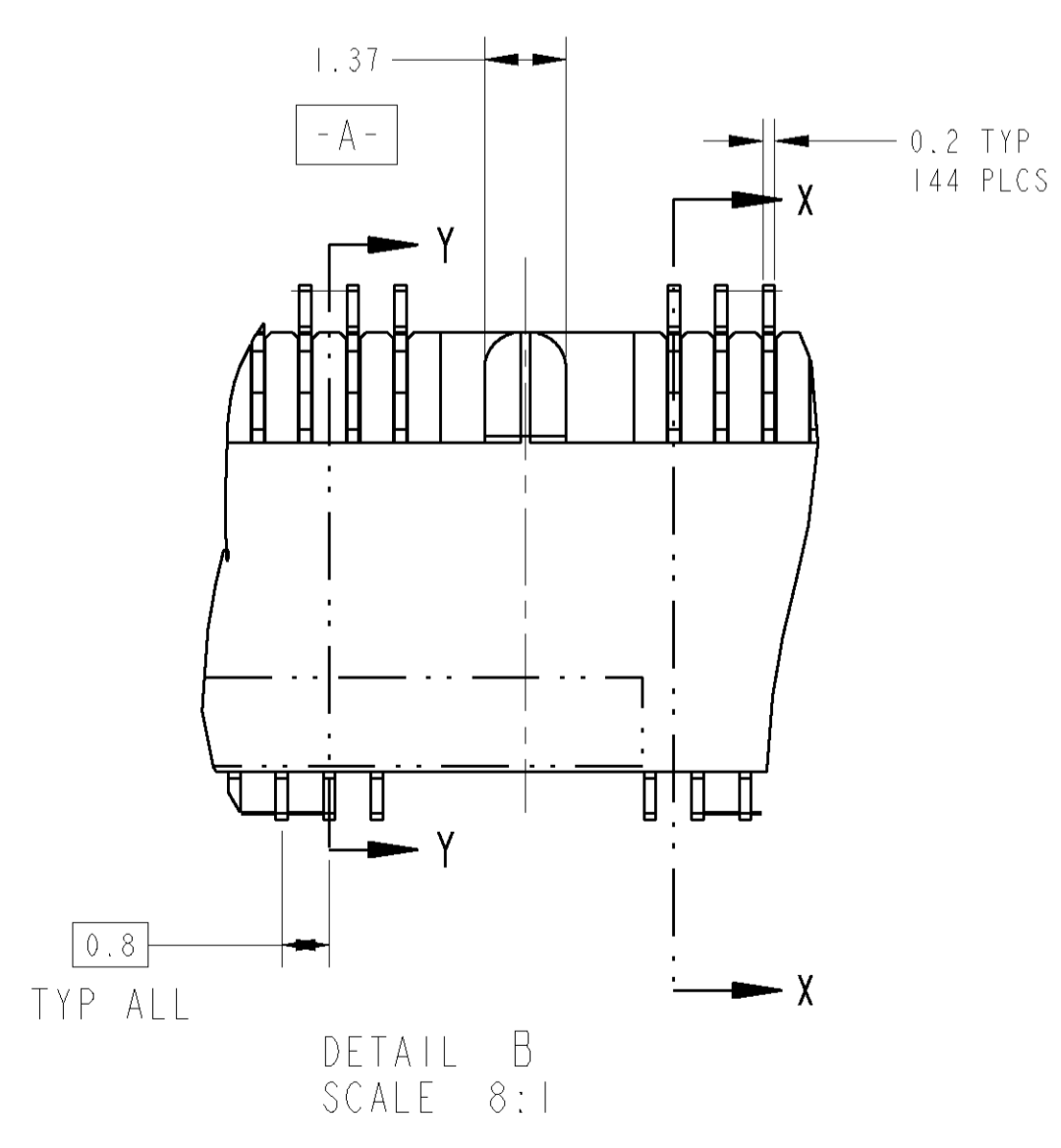
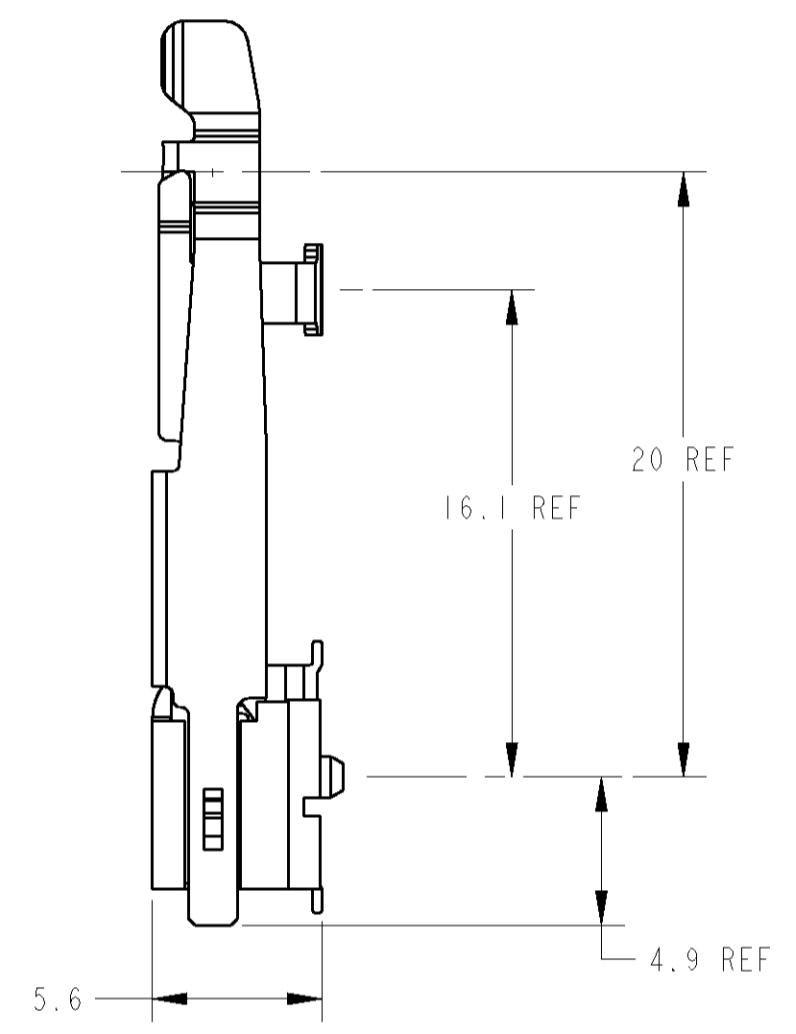
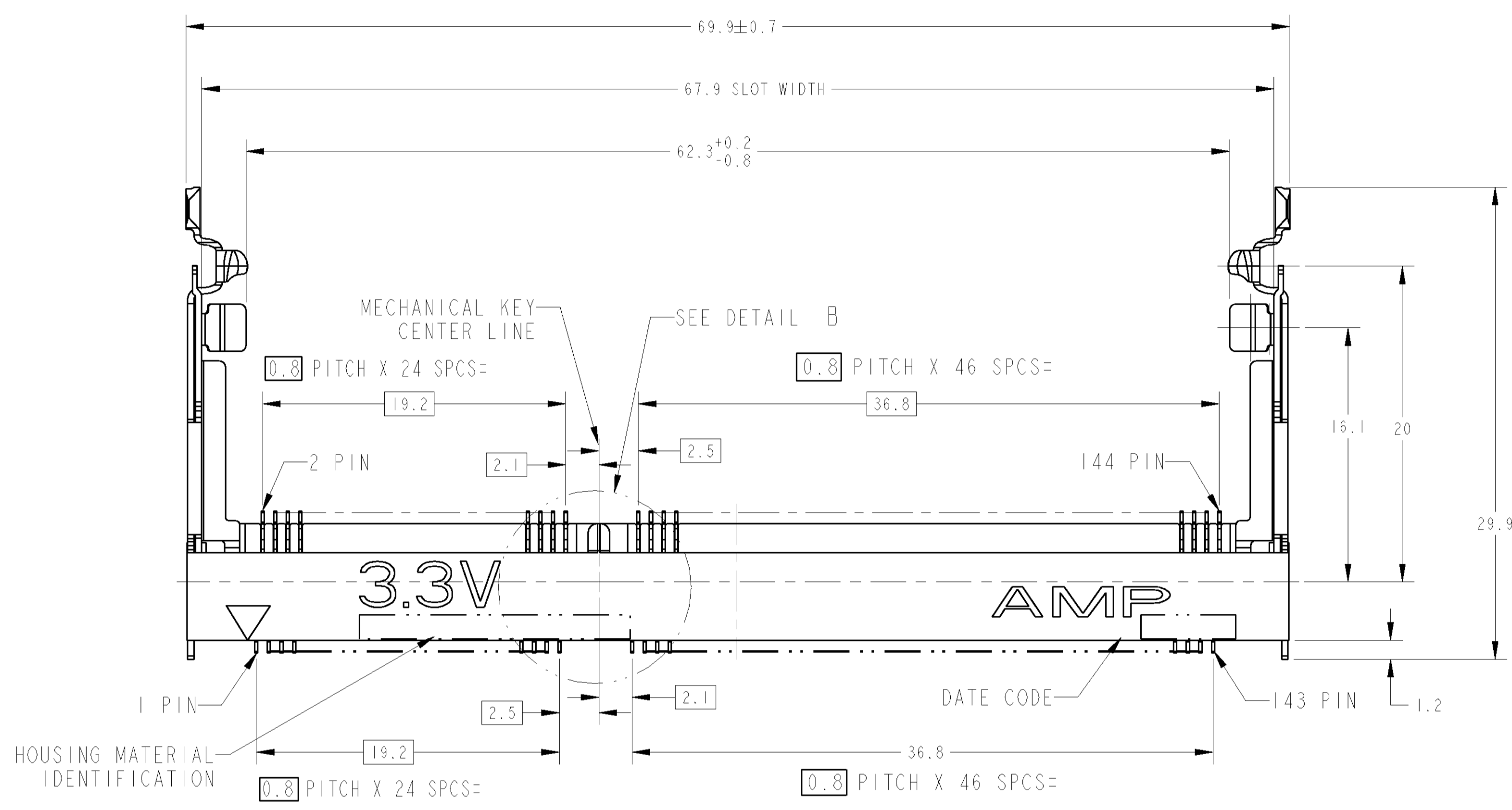


LOC		REVISONS	
NO	BY	DESCRIPTION	DATE
K		ECOC TRANSFER PER OS1D-0140-00	11JAN2001
L		REVISED PER FP00-0321-02	19NOV2002
M		REVISED FP00-0083-03	21MAY03
N		REVISED ECR-05-007151	20JUL05



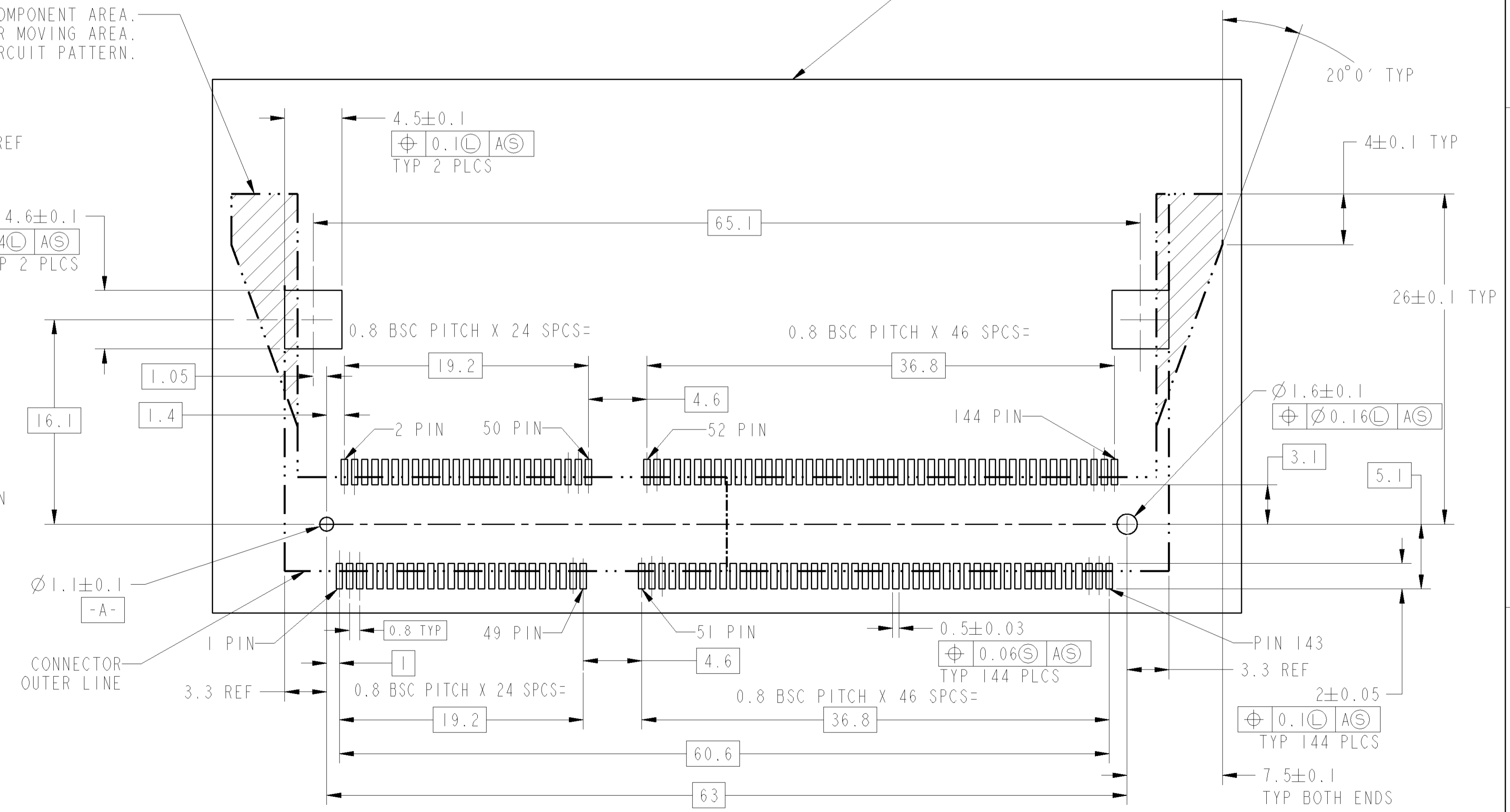
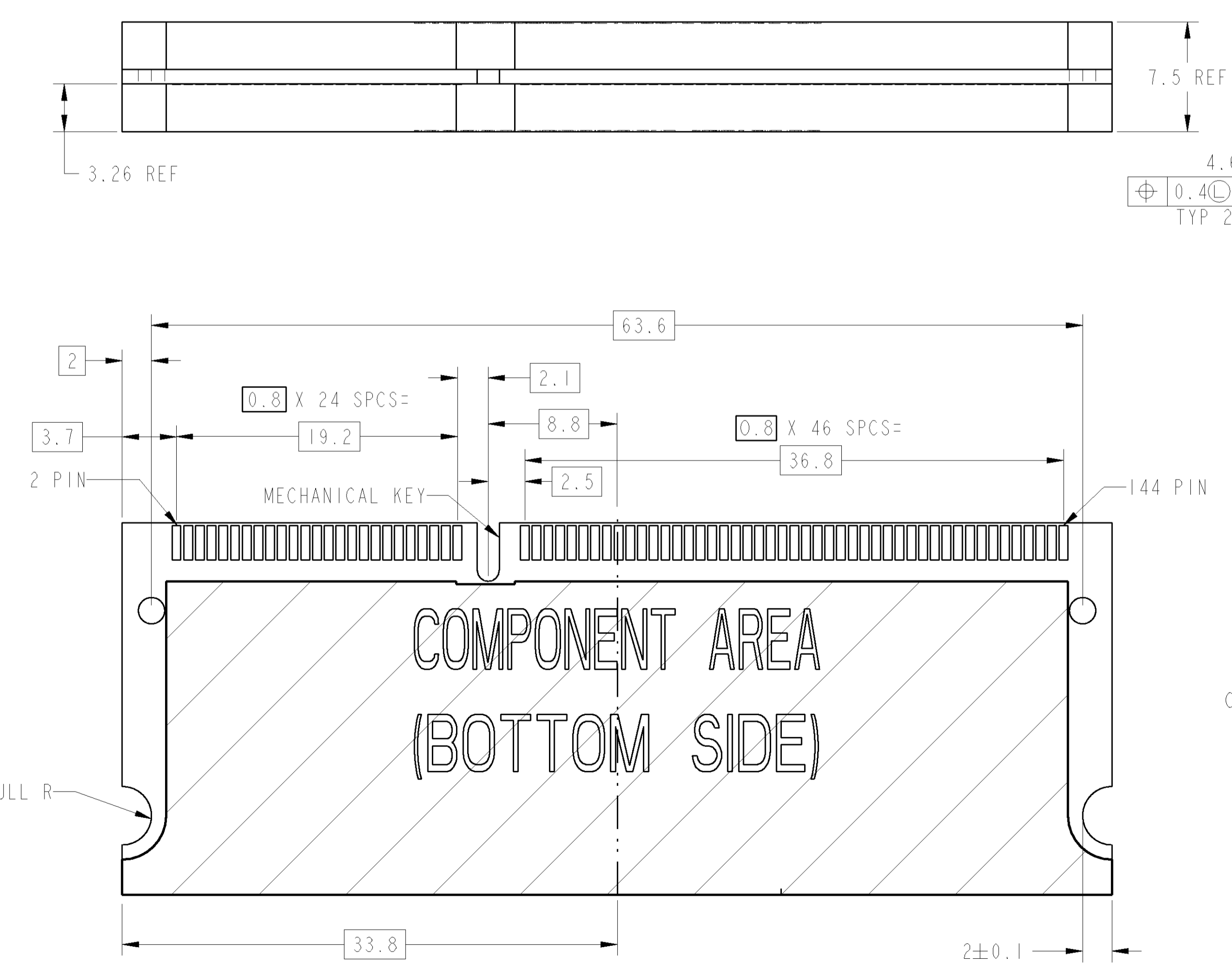
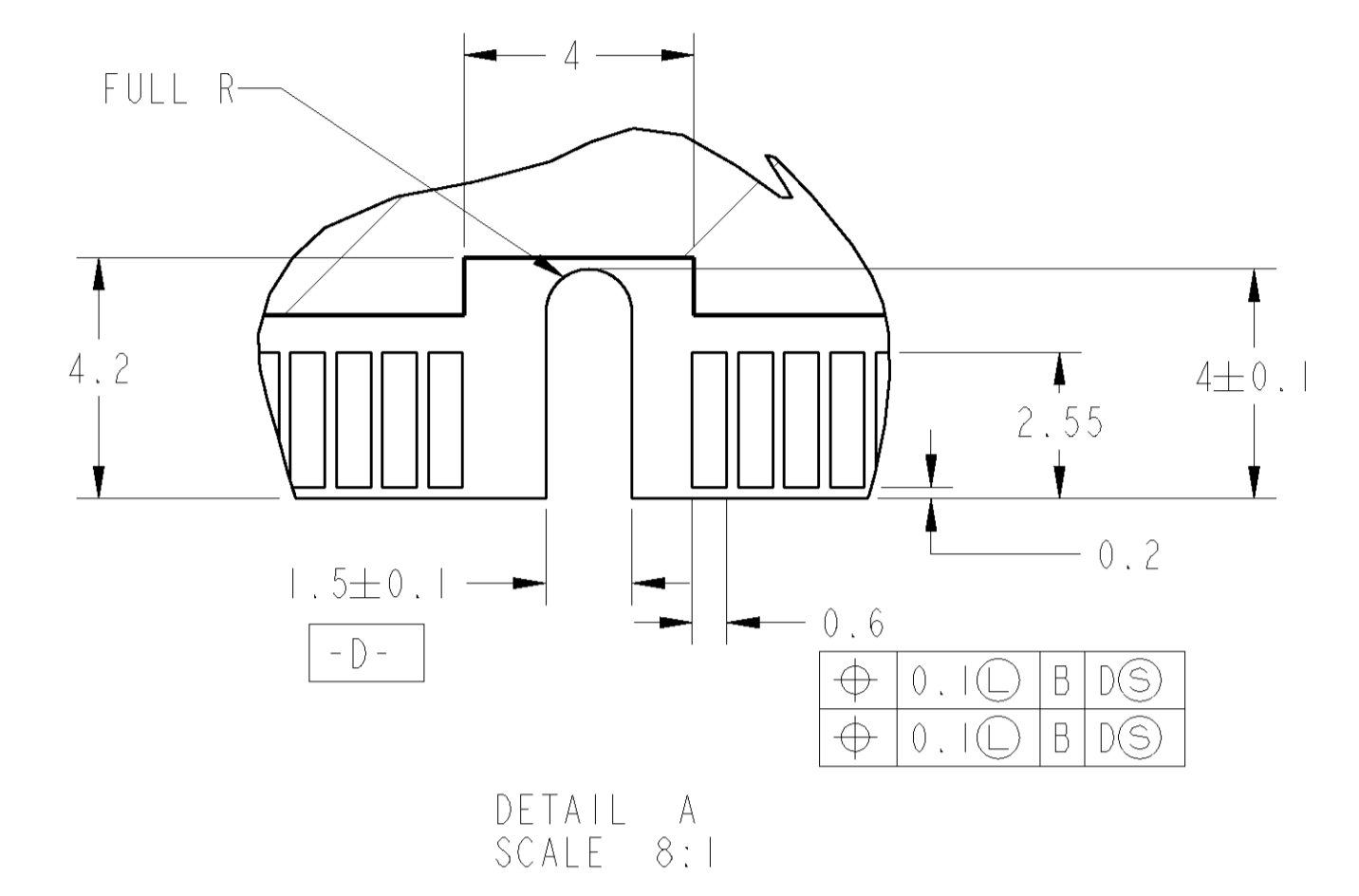
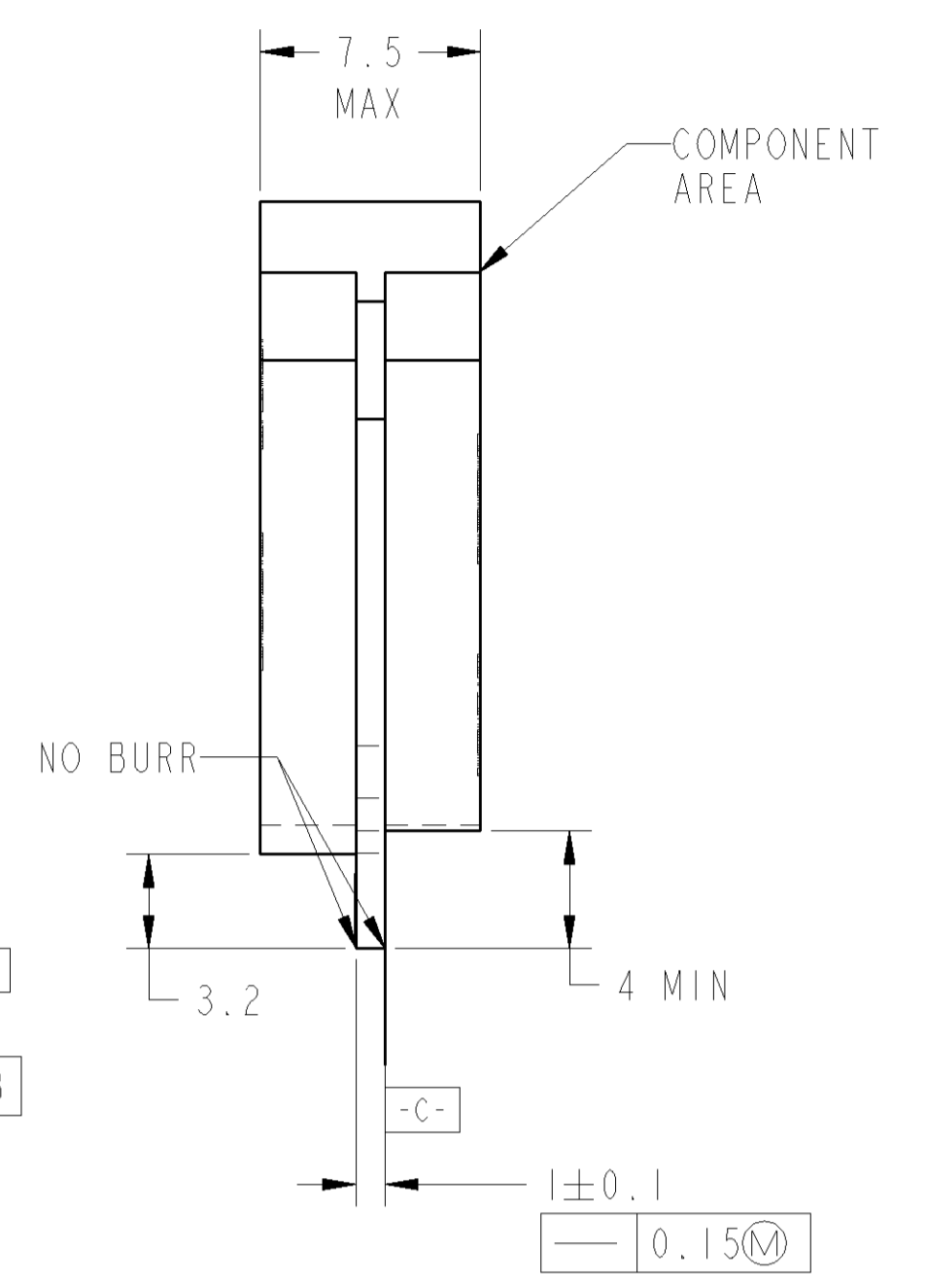
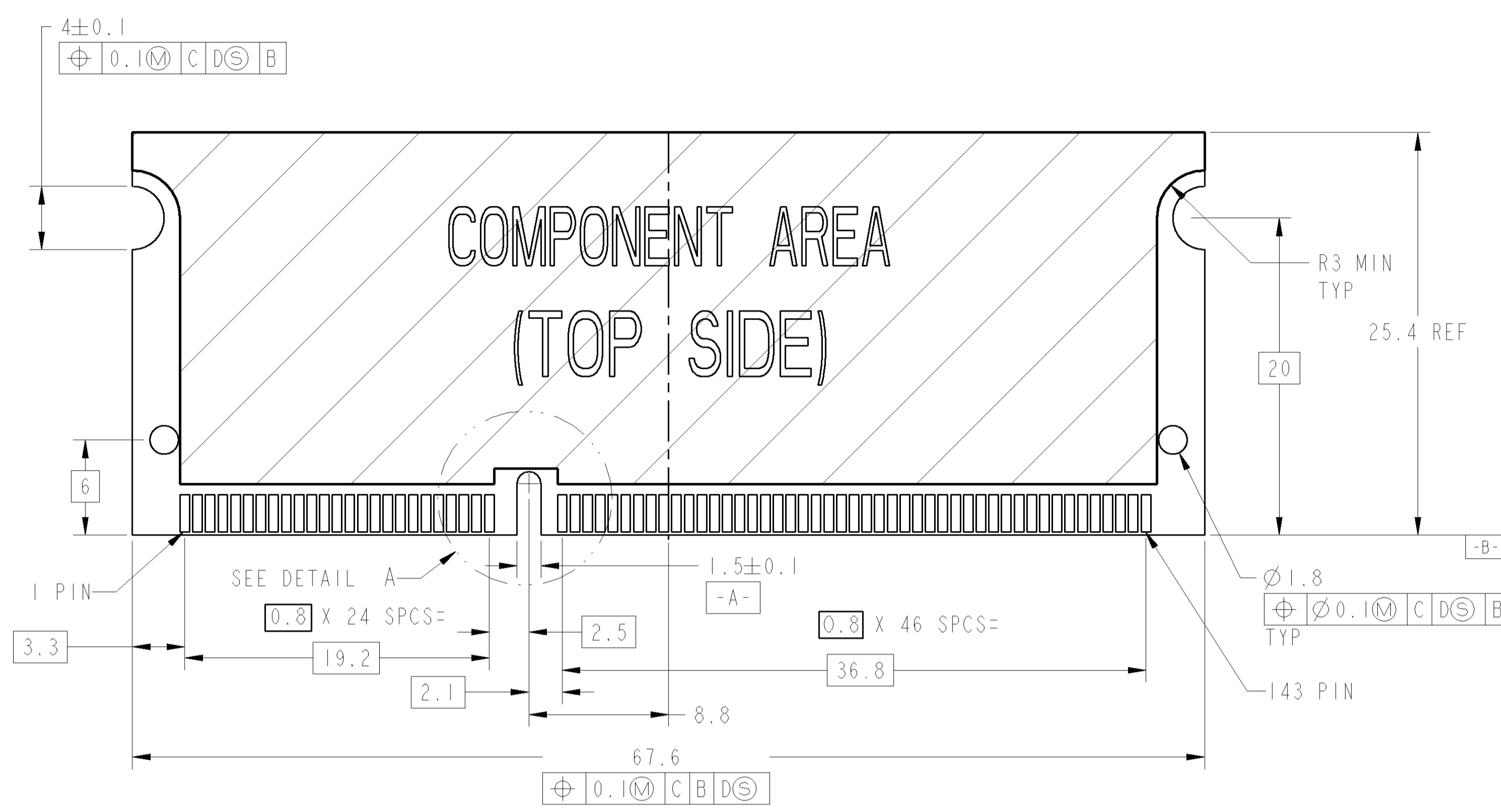
- 1 MATERIAL, HOUSING, HIGH TEMPERATURE PLASTIC UL94V-0, NAT. CONTACT: COPPER ALLOY LOCK LEVER: SUS301 TIN PLATING.
- 2 FINISH; CONTACT AREA: 0.00025 MIN GOLD PLATE ON 0.001 MIN ALL OVER NICKEL SOLDERING AREA: 0.00005 MIN TO 0.00030 MAX GOLD PLATE
- 3. TOLERANCES NON-ACCUMULATIVE.
- 4 PART TO BE PACKAGED PER EIA IS-704 STANDARD. REEL DIAMETER IS 559 mm, TAPE WIDTH IS 88 mm, AND TAPE PITCH IS 36 mm.
- 5 PACKAGED IN HARD TRAY.
- 6 FINISH: CONTACT AREA: 0.00025 MIN GOLD PLATE ON 0.001 MIN ALL OVER NICKEL SOLDERING AREA: BRIGHT TIN-LEAD
- 7 PART PACKAGED PER EIA IS-704 STANDARD. REEL DIAMETER SHALL BE 330mm, TAPE WIDTH SHALL BE 88mm, AND TAPE PITCH SHALL BE 36mm.
- 8 REVERSE REELING.



FINISH	POWER SUPPLY	POS	PART NUMBER
NIL	AVAILABLE	2	GRAM 3.3V 144 9-390111-2 7 8
NIL	AVAILABLE	2	GRAM 3.3V 144 9-390111-1 7
9-390111-1	NOT AVAILABLE	6	GRAM 3.3V 144 6-390111-4 4
9-390111-1	NOT AVAILABLE	2	GRAM 3.3V 144 6-390111-1 4
3-390111-1	NOT AVAILABLE	6	GRAM 3.3V 144 3-390111-4 5
NIL	AVAILABLE	2	GRAM 3.3V 144 3-390111-1 5
390111-1	NOT AVAILABLE	6	GRAM 3.3V 144 390111-4
NIL	AVAILABLE	2	GRAM 3.3V 144 390111-1

DIMENSIONS: mm TOLERANCES UNLESS OTHERWISE SPECIFIED: 9 PLC ±0.2 1 PLC ±0.2 3 PLC ±0.2 5 PLC ±0.2 4 PLC ±0.2 ANGLES ±°		DWN: M. SORAH 6-23-97 CHK: R. TALLEY 6-23-97 APVD: SE. LEONG PRODUCT SPEC: - APPLICATION SPEC: - FINISH: SEE TABLE WEIGHT: - CUSTOMER DRAWING	AMP MANUFACTURING (SINGAPORE) PTE. LTD. NAME: S.O. DIMM, SOCKET ASSY, 0.8mm, 3.3V 144 POSITION, 3.7 MM PROFILE FOR SGRAM TYPE MODULE SIZE: 00779 C=390111 SCALE: 4:1 SHEET 1 OF 2 REV N
---	--	--	--

LOC	DIST	REVISIONS			
DATE	BY	DESCRIPTION	DATE	BY	APPD
-	-	SEE SHEET 1	-	-	-



DIMENSIONS:		TOLERANCES UNLESS OTHERWISE SPECIFIED:		DRAWN BY: SORAH 6-23-97		AMP MANUFACTURING (SINGAPORE) PTE. LTD.	
mm		9 PLCS	±0.2	CHK: R. TALLEY 6-23-97		NAME: S.O. DIMM, SOCKET ASSY, 0.8mm, 3.3V	
		1 PLCS	±0.2	APPD: SE LEONG		PRODUCT SPEC: 144 POSITION, 3.7 MM PROFILE	
		3 PLCS	±0.2			APPLICATION SPEC:	
		4 PLCS	±			SIZE: A1	CAGE CODE: 00779
		ANGLES	±			DRAWING NO: C=390111	RESTRICTED TO:
		FINISH	SEE TABLE			WEIGHT:	
						CUSTOMER DRAWING	SCALE: 4:1 SHEET 2 OF 2 REV N