

2355844-1 ✓ ACTIVE

AMPSEAL 16

TE Internal #: 2355844-1

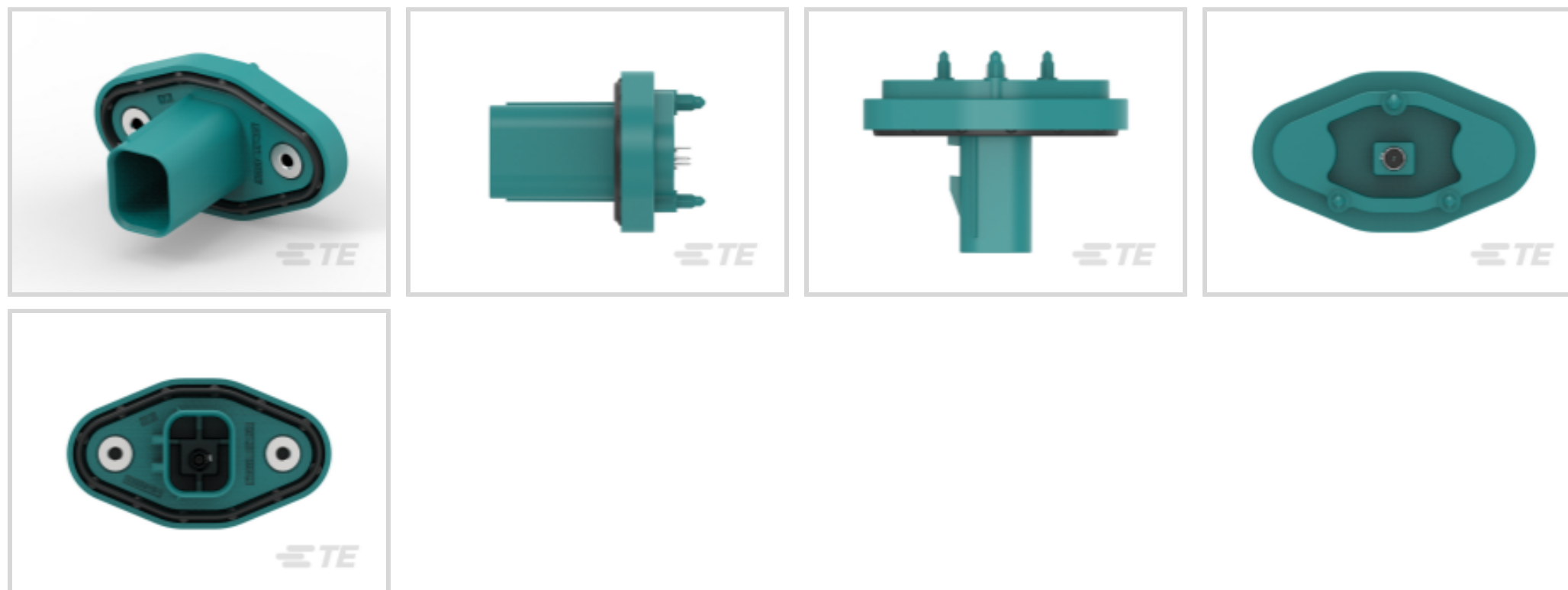
Data Connectivity Headers, A, Cable-to-Board, 1 Position, Sealable, Shielded, Vertical, Signal, Board Mount, -40 – 221 °F [-40 – 105 °C],

AMPSEAL 16

[View on TE.com >](#)



Connectors > Automotive Connectors > Data Connectivity Systems > Data Connectivity Headers



Connector & Keying Code: **A**

Connector System: **Cable-to-Board**

Number of Positions: **1**

Sealable: **Yes**

Shielded: **Yes**

Features

Product Type Features

Connector System	Cable-to-Board
Sealable	Yes
Connector & Contact Terminates To	Printed Circuit Board

Configuration Features

Number of Positions	1
PCB Mount Orientation	Vertical

Electrical Characteristics

Impedance	50 Ω
-----------	------

Body Features

Connector & Keying Code	A
-------------------------	---

Mechanical Attachment

Connector Mounting Type	Board Mount
-------------------------	-------------

Housing Features

--	--



Housing Color	Water Blue
---------------	------------

Usage Conditions

Operating Temperature (Max)	105 °C[221 °F]
Operating Temperature Range	-40 – 105 °C[-40 – 221 °F]

Operation/Application

Shielded	Yes
Circuit Application	Signal

Packaging Features

Packaging Quantity	240
Packaging Method	Box & Tray

Other

Outer Contact Plating Material	Tin (Sn)
--------------------------------	----------

Product Compliance

[For compliance documentation, visit the product page on TE.com>](#)

EU RoHS Directive 2011/65/EU	Compliant with Exemptions
EU ELV Directive 2000/53/EC	Not Compliant
China RoHS 2 Directive MIIT Order No 32, 2016	Restricted Materials Above Threshold
EU REACH Regulation (EC) No. 1907/2006	Current ECHA Candidate List: JAN 2023 (233) Candidate List Declared Against: JUNE 2022 (224) SVHC > Threshold: Pb (2.75% in Component Part) Article Safe Usage Statements: Do not eat, drink or smoke when using this product. Wash thoroughly after handling. Recycle if possible and dispose of the article by following all applicable governmental regulations relevant to your geographic location.
Halogen Content	Low Halogen - Br, Cl, F, I < 900 ppm per homogenous material. Also BFR/CFR/PVC Free
Solder Process Capability	Not reviewed for solder process capability

Product Compliance Disclaimer

This information is provided based on reasonable inquiry of our suppliers and represents our current actual knowledge based on the information they provided. This information is subject to change. The part numbers that TE has identified as EU RoHS compliant have a maximum concentration of 0.1% by weight in homogenous materials for lead, hexavalent chromium, mercury, PBB, PBDE, DBP, BBP, DEHP, DIBP, and 0.01% for cadmium, or qualify for an exemption to these limits as defined in the Annexes of Directive 2011/65/EU (RoHS2). Finished electrical and electronic equipment products will be CE marked as required by Directive 2011/65/EU. Components may not be CE marked. Additionally, the part numbers that TE has identified as EU ELV compliant have a maximum concentration of 0.1% by weight in homogenous materials for lead, hexavalent chromium, and mercury, and 0.01% for cadmium, or qualify for an exemption to these limits

as defined in the Annexes of Directive 2000/53/EC (ELV). Regarding the REACH Regulation, the information TE provides on SVHC in articles for this part number is based on the latest European Chemicals Agency (ECHA) 'Guidance on requirements for substances in articles' posted at this URL: <https://echa.europa.eu/guidance-documents/guidance-on-reach>

Compatible Parts



TE Part # 2338211-1
CAP PIN ASSY, 4P, W2W, SEALED COAX



TE Part # 2338212-1
PLUG SOCKET ASSY, 4P, W2W, SEALED COAX



TE Part # 2339729-1
CAP PIN ASSY, 4P, FLANGE, SEALED COAX



TE Part # 2355843-1
1POS,COAX,SOC HSG ASSY,SLD COAX



TE Part # 2356408-1
4P,COAX,HDR ASSY,180DEG,COD A, SHORT



TE Part # 2356413-2
COAX,SOLDER,180DEG

TE Part # 2338211-2
CAP PIN ASSY, 4P, W2W, SEALED COAX

TE Part # 2338211-3
CAP PIN ASSY, 4P, W2W, SEALED COAX

TE Part # 2338211-4
CAP PIN ASSY, 4P, W2W, SEALED COAX

TE Part # 2338212-2
PLUG SOCKET ASSY, 4P, W2W, SEALED COAX

TE Part # 2338212-3
PLUG SOCKET ASSY, 4P, W2W, SEALED COAX

TE Part # 2338212-4
PLUG SOCKET ASSY, 4P, W2W, SEALED COAX

TE Part # 2355843-2
1POS,COAX,SOC HSG ASSY,SLD

TE Part # 2355843-3
1POS,COAX,SOC HSG ASSY,SLD

TE Part # 2355843-4
1POS,COAX,SOC HSG ASSY,SLD

TE Part # 2356408-2
4POS,PIN DIA 2.8,HDR ASSY,180DEG, COD B

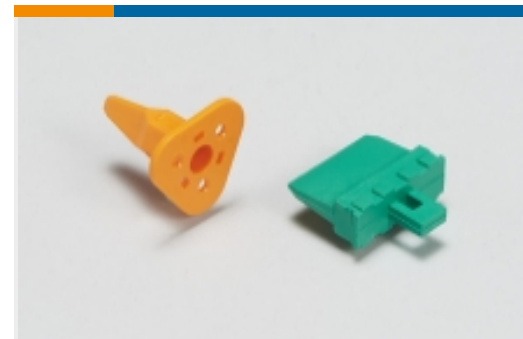
TE Part # 2356408-3
4POS,PIN DIA 2.8,HDR ASSY,180DEG,
COD C

TE Part # 2356408-4
4POS,PIN DIA 2.8,HDR ASSY,180DEG,
COD C

Also in the Series | AMPSEAL 16



Automotive Connector Caps & Covers
(85)



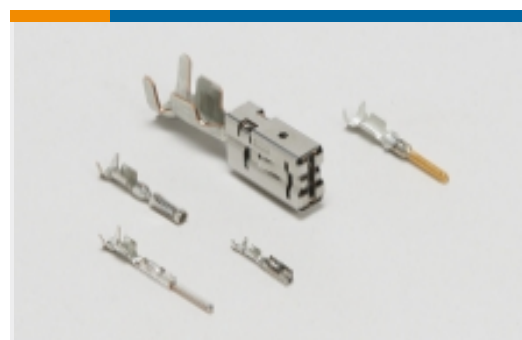
Automotive Connector Locks &
Position Assurance(2)



Automotive Housings(244)



Automotive Seals & Cavity Plugs(4)



Automotive Terminals(33)



Data Connectivity Headers(2)



Data Connectivity Housings(3)



Other Automotive Connector
Accessories(11)

Documents

Product Drawings

1POS,PIN DIA 2.5,HDR ASSY,180DEG

English

1POS,PIN DIA 2.5,HDR ASSY,180DEG

English

CAD Files

3D PDF

3D

Customer View Model

[ENG_CVM_CVM_2355844-1_1.2d_dxf.zip](#)

English

Customer View Model

[ENG_CVM_CVM_2355844-1_1.3d_igs.zip](#)

English

Customer View Model



[ENG_CVM_CVM_2355844-1_1.3d_stp.zip](#)

English

By downloading the CAD file I accept and agree to the [Terms and Conditions](#) of use.

[Product Specifications](#)

[Application Specification](#)

English