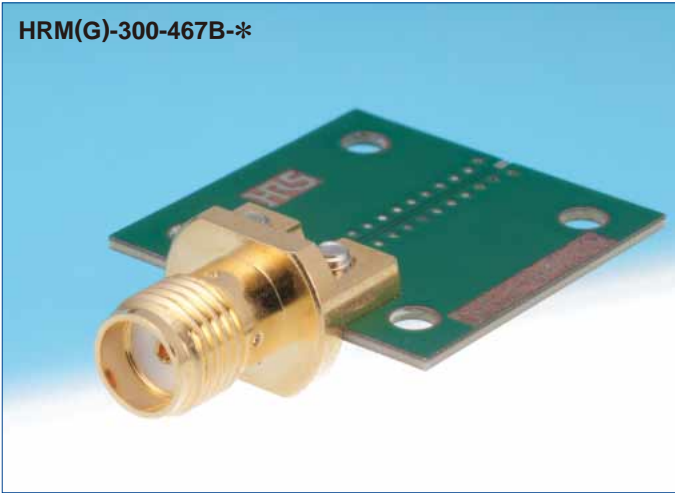


SMA Connector for High-Speed Transmission Characteristics Measurement

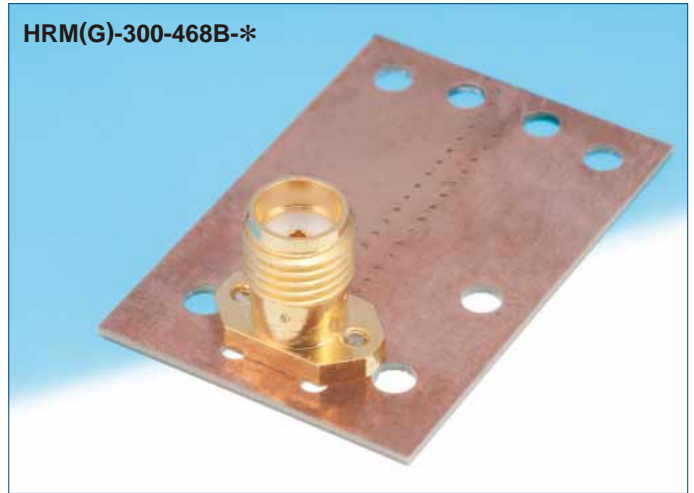
HRM(G) Series

Compatible with 28 GHz

HRM(G)-300-467B-*



HRM(G)-300-468B-*



■ Features

1. Two mounting methods

This connector is capable of being mounted to the PCB edge or vertically.

2. Capable of handling frequencies up to 28 GHz

3. Easy mounting

Easily mounts with the use of just one fastening screw.

4. Mounts to PCBs of various thicknesses

This series can be mounted to various PCB thicknesses of 0.7 mm or more all while utilizing just one mounting screw.

5. RoHS compliant

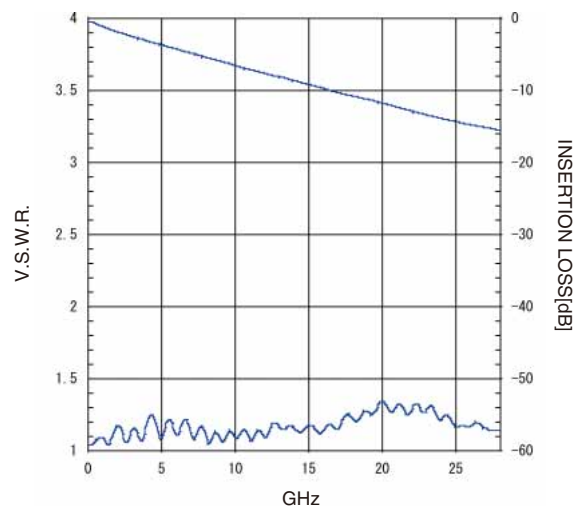
Environmentally friendly, produced without RoHS restricted substances.

■ Application

Transmission characteristics measurement

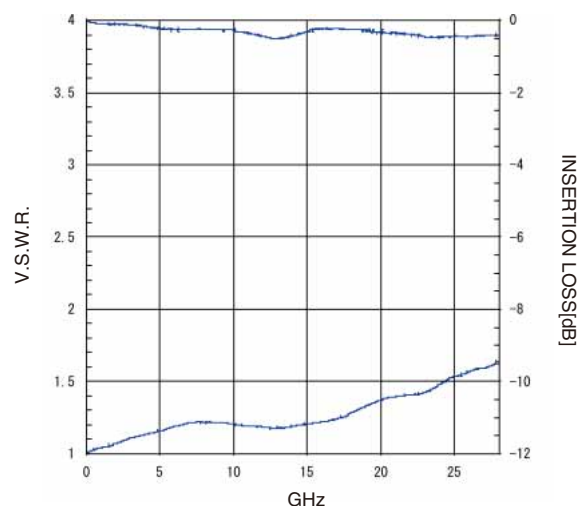
● High-Frequency Characteristics (Typical Value)

◆ HRM(G)-300-467B-* High Frequency Characteristics



*The line length of the measuring PCB is 73 mm.

◆ HRM(G)-300-468B-* High Frequency Characteristics



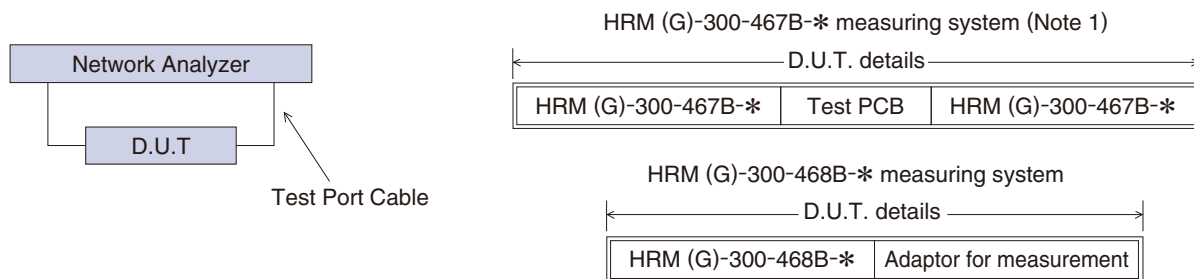
Product specification

Rating	Nominal Characteristic Impedance	50Ω	Operating Temperature Range -55°C to 85°C (≤ 95% RH)	
	Rated Frequency	DC - 28GHz	Storage Temperature Range -55°C to 85°C (≤ 95% RH)	

Item	Specification	Condition		
1.Contact resistance	Center : 4mΩ or less Exterior : 4mΩ or less	Measured at 100mA or less		
2. Insulation resistance	5000MΩ or more	Measured at 500V		
3.Withstanding voltage	No flashover or breakdown	AC 1000V for one minute		
4.Voltage standing wave ratio (*)	Product Name	DC - 20GHz	20GHz - 28GHz	
	HRM (G)-300-467B-*	1.4 or less	1.7 or less	
	Product Name	DC - 18GHz	18GHz - 20GHz	20GHz - 28GHz
	HRM (G)-300-468B-*	1.4 or less	1.5 or less	1.7 or less
5.Repeat performance	Contact resistance Center : 6mΩ or less Exterior : 6mΩ or less No breakage, cracking, or loosening to parts	Insertion/extraction 500 times		
6.Vibration resistance	No electric outage of 1μs or greater No breakage, cracking, or loosening to parts	10 cycles in each of three directions at frequency 10 to 2,000Hz, half amplitude 0.75mm, acceleration of 196m/s ²		
7.Shock resistance	No electric outage of 1μs or greater No breakage, cracking, or loosening to parts	Frequency 1960m/s ² , duration 6ms, sine half-wave, 3 cycles in each of the 3 axis		
8.Humidity resistance to temperature/humidity cycle	Insulation Resistance : 100MΩ or more (when highly humid) Insulation Resistance : 5000MΩ or more (when dry) No breakage, cracking, or loosening to parts	10 cycles (240 hours) at temperature +25 to 65°C and humidity 90% to 96%		
9.Temperature cycle	No breakage, cracking, or loosening to parts	Temperature : -55°C → - → +85°C → -°C Time : 5 cycles of the following. 30min. → 3min. → 30min. → 3min.		
10.Salt water spray	No marked corrosion	Continuous spraying of 5% salt water for 48 hours		

* Measurement system of voltage standing wave ratio (V.S.W.R.)

The specification values of the above V.S.W.R. are the measurement values of the following diagram.



(Note 1) Measured with HRM (G)-300-467B-* mounted on a 50Ω glass epoxy PCB

Material

HRM (G)-300-467B-*, HRM (G)-300-468B-*

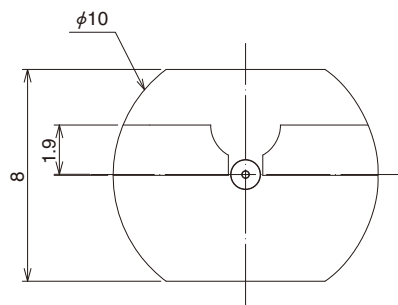
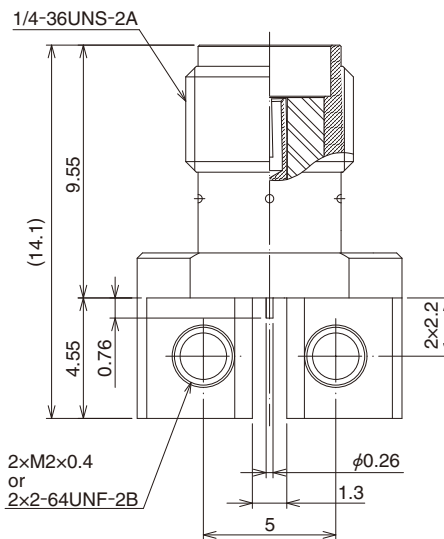
Part	Material	Finish
R shell	Copper	Gold plating
Insulator	PTFE resin	—
Female contact	Beryllium copper	Gold plating

Receptacle



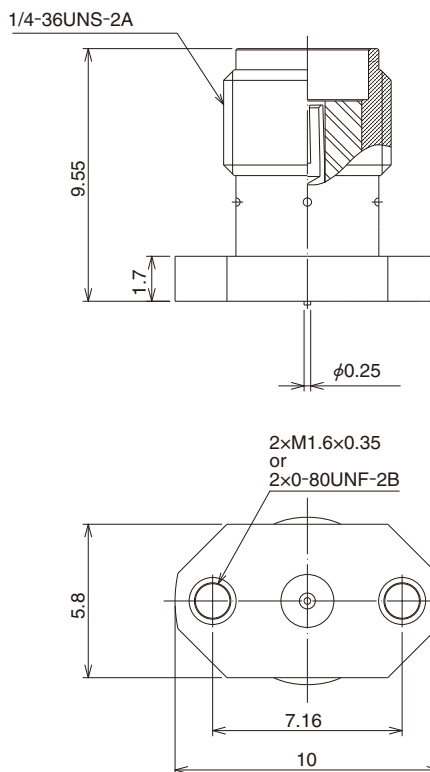
Part No.	HRS No.	Screw
HRM(G)-300-467B-2	323-0923-5	M2×0.4
HRM(G)-300-467B-1	323-0937-0	2-64UNF-2B

This product is a solderless mounted connector for prototype evaluation of high speed transmission boards. It is not recommended for use in actual commercial equipment.



Part No.	HRS No.	Screw
HRM(G)-300-468B-2	323-0939-5	M1.6×0.35
HRM(G)-300-468B-1	323-0924-8	0-80UNF-2B

This product is a solderless mounted connector for prototype evaluation of high speed transmission boards. It is not recommended for use in actual commercial equipment.



MEMO :

Lined area for memo with 25 horizontal dashed lines.

HIROSE ELECTRIC CO.,LTD.
 2-6-3,Nakagawa Chuoh,Tsuzuki-Ku,Yokohama-Shi 224-8540,JAPAN
<https://www.hirose.com/>
