

# Video Converter

## TVI/CVI/AHD to HDMI

**multicomp** PRO

**RoHS**  
**Compliant**



### Description

The Multicomp PRO M009315 Video Converter takes analog high-definition video signals TVI/CVI/AHD and standard CVBS video and converts the signals to an HDMI output. It supports 4K CV/TVI/AHD video Input, 4K Image loop output, and 1080P 60FPS HDMI output. This pocket-sized converter features sturdy metal housing, with heat dissipation holes and mounting holes on both sides, easy to dissipate heat, and allows you to mount it nearly anywhere.

### Features

- Auto recognition 720P/1080P/3MP/4MP/5MP/8MP
- Support up to AHD/TVI/CVI 8MP test
- One channel AHD/TVI/CVI/CVBS loop out
- 75Ω/ HI-Z Switch

### Specification

Input Port	: BNC - CVI / TVI / AHD / CVBS
Output Ports	: BNC Thru - CVI / TVI / AHD / CVBS , HDMI output
Impedance	: 75Ω (When the IN port of the converter is connected to the camera, and the OUT is not connected to the DVR, please set the impedance switch to 75Ω. When the IN port of the converter is connected to the camera and the OUT port is connected to the DVR, please set it to HI-Z.)
Cable length	: 500~700 meters, different resolution, different transmission distance
External power supply	: DC 5V (1A)
Working Temperature	: -10°C to +50°C
Dimension	: 108mm × 95mm × 25mm
Weight	: 180g

Newark.com/multicomp-pro  
Farnell.com/multicomp-pro  
sg.element14.com/b/multicomp-pro

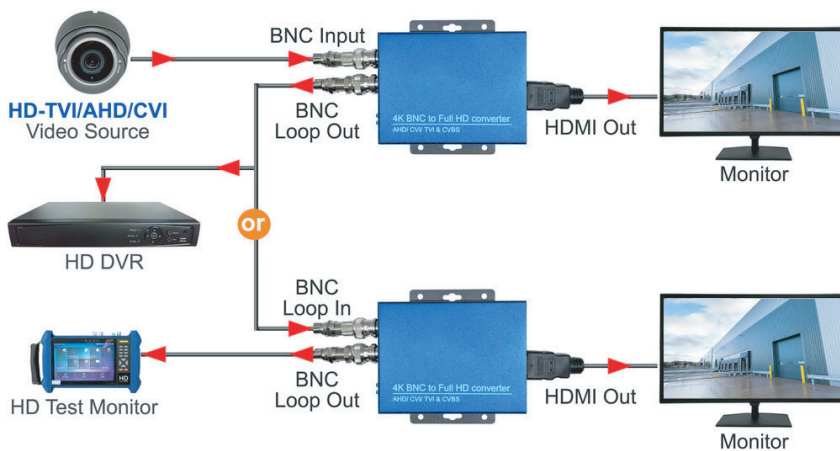
**multicomp** PRO

# Video Converter TVI/CVI/ADH to HDMI

**multicomp** PRO

AHD/TVI/CVI supported resolution table			
HD Coaxial camera/ Resolution	CVI	TVI	AHD
720P	1280 × 720P 25/30/50/60 FPS	1280 × 720P 25/30/50/60 FPS	1280 × 720P 25/30 FPS
1080P	1920 × 1080P 25/30 FPS	1920 × 1080P 25/30 FPS	1920 × 1080P 25/30 FPS
3 MP	—	2048 × 1536P 18/25/30 FPS	2048 × 1536P 18/25/30 FPS
4MP	2560 × 1440P 25/30 FPS	2688 × 1520P 15FPS 2560 × 1440P 15/25/30 FPS	2560 × 1440P 15/25/30 FPS
5MP	—	2592 × 1944P 12.5/20FPS	2592 × 1944P 12.5/20FPS
4K(8MP)	3840 × 2160 12.5/15 FPS	3840 × 2160 15 FPS	3840 × 2160 15 FPS

## Connect to Multiple HDMI Monitors



## Part Number Table

Description	Part Number
Video Converter, 4K, TVI/CVI/ADH to HDMI	MP009315

**Important Notice :** This data sheet and its contents (the "Information") belong to the members of the AVNET group of companies (the "Group") or are licensed to it. No licence is granted for the use of it other than for information purposes in connection with the products to which it relates. No licence of any intellectual property rights is granted. The Information is subject to change without notice and replaces all data sheets previously supplied. The Information supplied is believed to be accurate but the Group assumes no responsibility for its accuracy or completeness, any error in or omission from it or for any use made of it. Users of this data sheet should check for themselves the Information and the suitability of the products for their purpose and not make any assumptions based on information included or omitted. Liability for loss or damage resulting from any reliance on the Information or use of it (including liability resulting from negligence or where the Group was aware of the possibility of such loss or damage arising) is excluded. This will not operate to limit or restrict the Group's liability for death or personal injury resulting from its negligence. Multicomp Pro is the registered trademark of Premier Farnell Limited 2019.

Newark.com/multicomp-pro  
Farnell.com/multicomp-pro  
sg.element14.com/b/multicomp-pro

**multicomp** PRO