

**IE-FCM-RJ45-C**

**Weidmüller Interface GmbH & Co. KG**  
Klingenbergstraße 26  
D-32758 Detmold  
Germany

[www.weidmueller.com](http://www.weidmueller.com)



Service interface FrontCom<sup>®</sup> Micro with RJ45 in IP65

**General ordering data**

Version	FrontCom Micro RJ45 coupling
Order No.	<a href="#">1018790000</a>
Type	IE-FCM-RJ45-C
GTIN (EAN)	4032248730056
Qty.	10 pc(s).

Creation date 19 March 2023 04:48:33 CET

Catalogue status 03.03.2023 / We reserve the right to make technical changes.

## IE-FCM-RJ45-C

Weidmüller Interface GmbH &amp; Co. KG

Klingenbergstraße 26

D-32758 Detmold

Germany

www.weidmueller.com

## Technical data

## Dimensions and weights

Wall thickness, min.	1 mm	Wall thickness, max.	3 mm
Net weight	36.4 g		

## Temperatures

Operating temperature	-40 °C...70 °C	Operating temperature, min.	-40 °C
Operating temperature, max.	70 °C		

## General data

Tightening torque fixing nut	2 Nm	Connection 1	RJ45
Connection 2	RJ45	Description of article	FrontCom Micro RJ45 coupling
Colour	black	Housing main material	PA UL 94 V0
Category	Cat.6A / Class EA (ISO/IEC 11801 2010)	Contact surface	Gold over nickel
Type of mounting	Cabinet, Distribution box	Shielding	360° shield contact
Protection degree	IP65, in closed state	Plugging cycles	750 (RJ45)

## Electrical properties

PoE / PoE+	conforming to IEEE 802.3af
------------	----------------------------

## General standards

Certificate no. (cULus)	E316369	Connector standard	IEC 60603-7-5 1
-------------------------	---------	--------------------	-----------------

## Classifications

ETIM 6.0	EC001031	ETIM 7.0	EC001031
ETIM 8.0	EC001031	ECLASS 9.0	27-18-27-02
ECLASS 9.1	27-18-27-90	ECLASS 10.0	27-18-27-02
ECLASS 11.0	27-18-27-02	ECLASS 12.0	27-18-28-92

## Approvals

Approvals



ROHS	Conform
UL File Number Search	UL Website
Certificate no. (cULus)	E316369

**IE-FCM-RJ45-C****Weidmüller Interface GmbH & Co. KG**

Klingenbergstraße 26

D-32758 Detmold

Germany

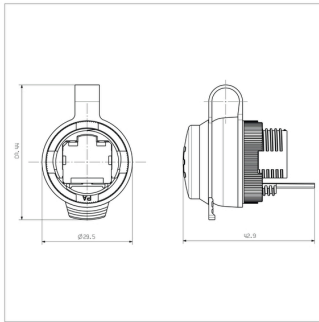
[www.weidmueller.com](http://www.weidmueller.com)**Technical data****Downloads**

Approval/Certificate/Document of Conformity	<a href="#">DUXR.E316369</a> <a href="#">PROFINET Manufacturer's Declaration</a>
Engineering Data	<a href="#">CAD data – STEP</a>
Engineering Data	<a href="#">WSCAD, Zuken E3.S</a>
User Documentation	<a href="#">MAN IE GUIDE DE</a> <a href="#">MAN IE GUIDE EN</a> <a href="#">Manual</a>
Catalogues	<a href="#">Catalogues in PDF-format</a>
Brochures	<a href="#">FL FIELDWIRING EN</a> <a href="#">PI PROFINET CABLING EN</a>

**IE-FCM-RJ45-C**

**Weidmüller Interface GmbH & Co. KG**  
Klingenbergstraße 26  
D-32758 Detmold  
Germany

[www.weidmueller.com](http://www.weidmueller.com)

**Drawings****Dimensioned drawing****Installation cut-out**