

## Features

- Universal Input 90~264V AC
- Approved to UKCA, CE, CCC, TUV, cULus, RCM (C-Tick), FCC, RoHS
- EN 60950-1 Safety Approved
- Meets Efficiency Level VI
- Single Output 12V DC
- OVP, OCP



Ideal Power's 5211012D-12-3A 100W AC/DC External Desktop Power Supply (PSU) Series are certified to UKCA, CE, CCC, TUV, cULus, RCM (C-Tick), FCC, RoHS & EN 60950-1 Standards and comply with (EU) 2019/1782, Level VI Efficiency Regulations. These are primarily used in ITE, Audio & Video Industries and customised solutions are available upon request.

### Models

Model Number	Output Voltage	Output Current	Output Power	Efficiency
5211012D-12-3A	12V DC	8.33A	100W	88%

### Input Data

	Min	Typical	Max	Units	Notes
Input Voltage	90	--	264	V AC	100-240VAC +/- 10%
Input Frequency	47	--	63	Hz	60Hz/50Hz Nominal
Input Current	--	--	1.5	A	at 115V AC Input & Full load
	--	--	0.75	A	at 230 V AC Input & Full load
Inrush Current	--	--	60	A	at 110V AC At cold start, maximum load.
	--	--	120	A	at 220V AC At cold start, maximum load.
Leakage Current	--	--	0.25	mA	at 240V AC / 50Hz

### Output Data

	Min	Typical	Max	Units	Notes
Output Current Range	0.0	--	8.33	A	
Output Voltage Range	11.4	--	12.6	V	
Ripple & Noise	1.5% max. of rated output voltage				
Over Current Protection	110~170% of rated output current. Will recover if fault condition is removed				
Over Voltage Protection	110~150% Max. of the rated output voltage, Will recover if fault condition is removed				

**Environmental Data**

	Min	Typical	Max	Units	Notes
Operating Temperature	0	--	+40	°C	
Storage Temperature	-20	--	+85	°C	
Operating Humidity	10	--	90	%	non condensing
Relative Humidity	5	--	90	%	non condensing

**Other Information**

	Notes
Dielectric Strength	Primary to Secondary: 4242V DC / 5mAMax / 60second(3 seconds for mass production)
MTBF	30,000 hrs at 25°C
Weight	450g
Dimensions	137x59x34mm
Output Cord	14AWG UL1866,1.2M Black
Output Connector	2.1mm x 5.5m x 12.0mm

**Safety Approvals**

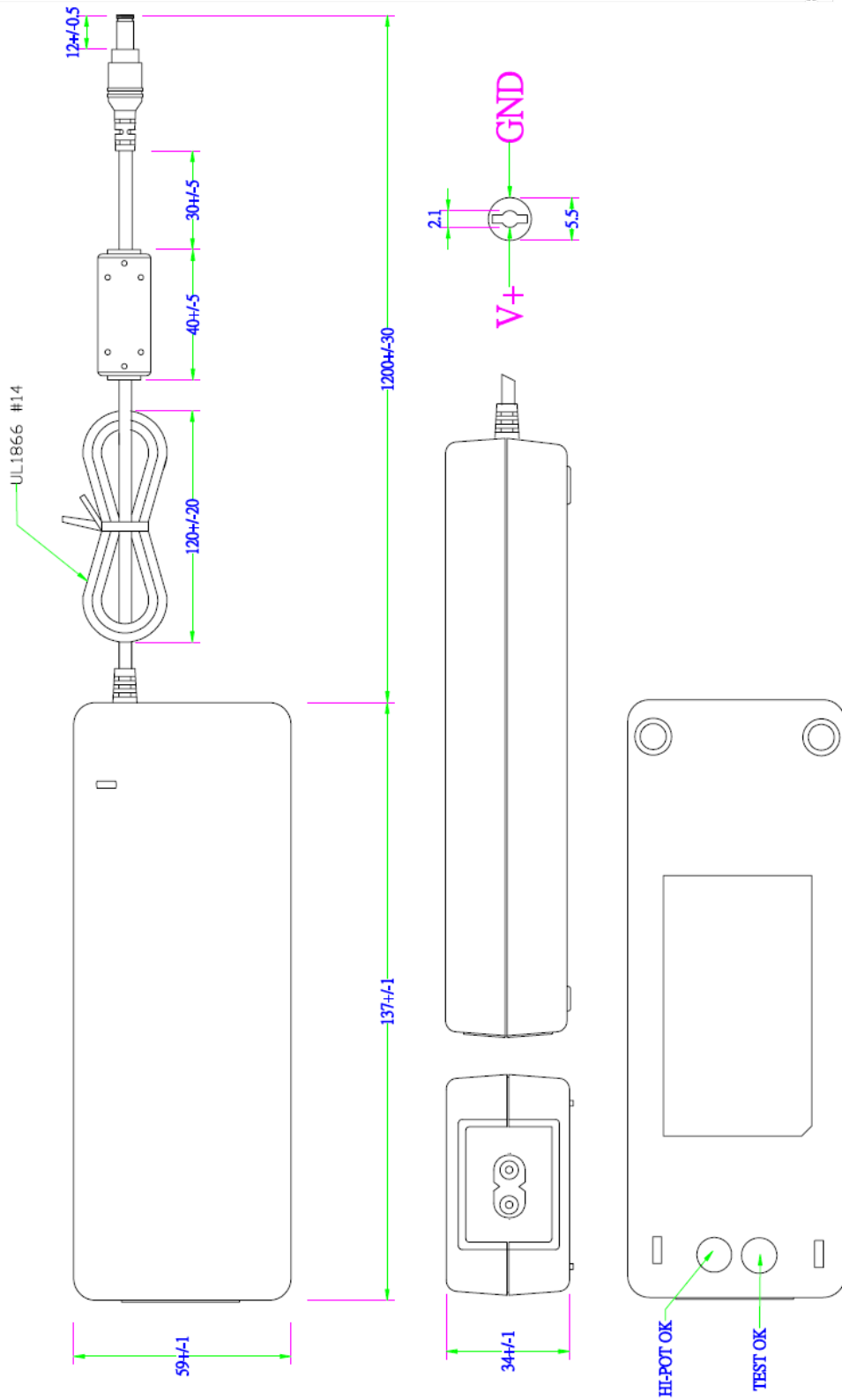
	Safety Standards
Safety Standards	EN 60950-1
Approvals	UKCA, CE, CCC, TUV, cULus, RCM (C-Tick), FCC, RoHS

**EMI/EMS Standards**

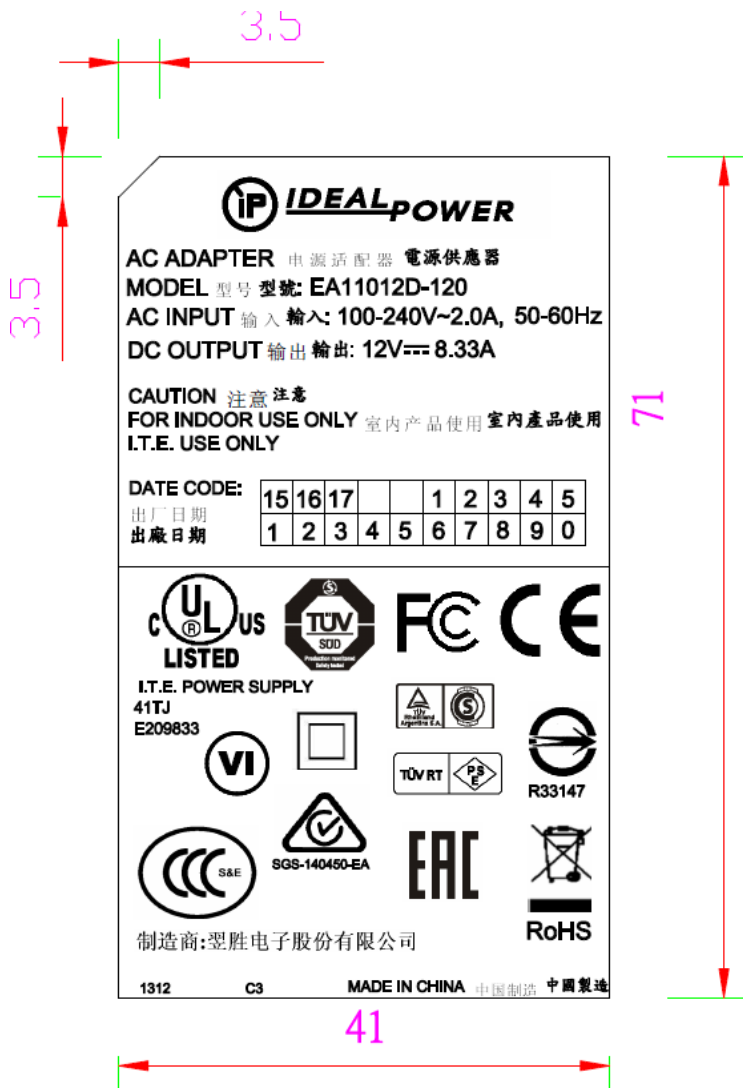
	Test Level	Test Criteria
EMI	EN 55032, CISPR 22, FCC PART 15	Class B
EMS	EN 55024	
ESD	IEC 61000-4-2, Air discharge +/-8KV, Contact discharge +/-4KV	Pass B
RS	IEC 61000-4-3 Frequency: 80~1000MHz Field Strength: 3V/M, 80% AM(1KHz)	
EFT	IEC 61000-4-4, AC-Input 1.0KV AC power ports	Pass A/B
Surge Voltage	IEC 61000-4-5 Differential mode +/-1KV. Common mode +/-1KV	Pass A

Mechanical Drawing

AC – DC



Label



**iP IDEALpower**

AC ADAPTER 电源适配器 电源供应器  
 MODEL 型号 型号: EA11012D-120  
 AC INPUT 输入 输入: 100-240V~2.0A, 50-60Hz  
 DC OUTPUT 输出 输出: 12V= 8.33A

CAUTION 注意 注意  
 FOR INDOOR USE ONLY 室内产品使用 室内产品使用  
 I.T.E. USE ONLY

DATE CODE: 

15	16	17			1	2	3	4	5
出厂日期									
1	2	3	4	5	6	7	8	9	0
出厂日期									

I.T.E. POWER SUPPLY  
 41TJ  
 E209833

制造商: 翌胜电子股份有限公司

1312 C3 MADE IN CHINA 中国制造 中国製造

P/N.: 312  
 Background: Black color  
 Character: Silver color  
 Unit: mm