

16

NEB/J 21 C

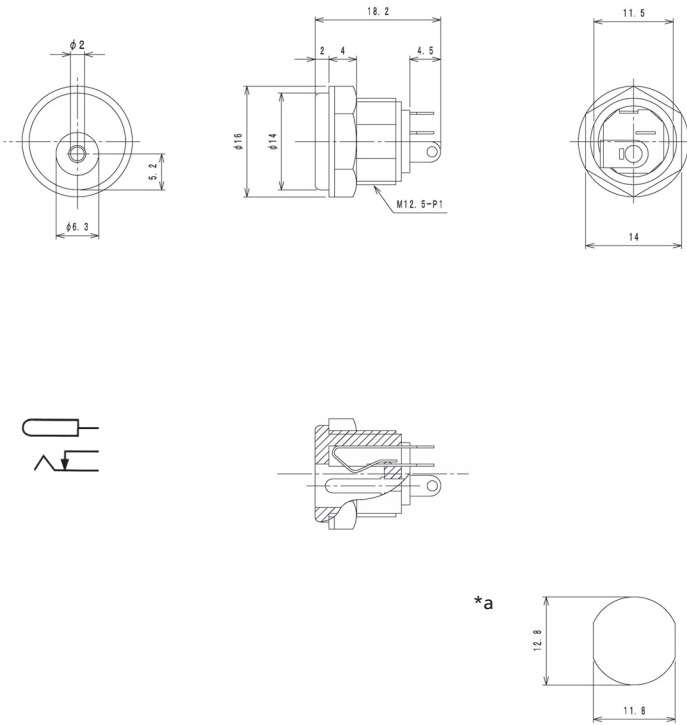
Power supply connectors



Power supply chassis socket, straight version, with break contact and solder eyes, for front side mounting

16

NEB/J 21 C



*a port in mounting plate

Environmental conditions

Temperature range -20 °C/+70 °C

Materials

Insulating body ABS, HB according to UL94
 Contact CuZn/CuSn, nickel-plated/silver-plated
 Insulation PBT (may be PF in a transitional phase)
 Hexagonal nut PA

Mechanical data

Diameter opening 6,3 mm
 Diameter center pin 2,0 mm
 Mating cycles ≥ 5000
 Insertion force $\leq 30 \text{ N}^1$
 Withdrawal force 3–30 N¹

¹ measured with a gauge plug

Electrical data (at T_{amb} 20 °C)

Contact resistance $\leq 30 \text{ m}\Omega$
 Rated current 0,5 A
 Rated voltage 12 V DC
 Rated impulse voltage 500 V/60 s
 Insulation resistance $\geq 100 \text{ M}\Omega$

Associated products

Counterparts
 ↗ 1633 02 ↗ 1633 03 ↗ NES/J 21
 ↗ NES/J 21 W ↗ NES/J 210 ↗ XNES/J 210

16

NEB/J 21 C

Designation	Pole Number	PU (Pieces)	MDQ (Pieces)
NEB/J 21 C	2	250	750

Packaging:

in bulk, in a cardboard box or a plastic bag