

HiQ-CBR Automotive Series, EIA 0603 Case Size, COG Dielectric



Sample Kit Contents

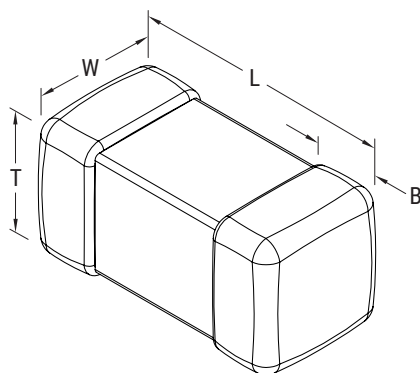
KEMET Part Number	Case Size	Capacitance	Cap Tolerance	Rated Voltage	Dielectric	Quantity
	EIA/Metric	(pF)		(V)		
CBR06C208B5GACAUTO	0603 / 1608	0.2	±0.10 pF	50	COG	100
CBR06C308B5GACAUTO	0603 / 1608	0.3	±0.10 pF	50	COG	100
CBR06C408B5GACAUTO	0603 / 1608	0.4	±0.10 pF	50	COG	100
CBR06C508B5GACAUTO	0603 / 1608	0.5	±0.10 pF	50	COG	100
CBR06C608B5GACAUTO	0603 / 1608	0.6	±0.10 pF	50	COG	100
CBR06C708B5GACAUTO	0603 / 1608	0.7	±0.10 pF	50	COG	100
CBR06C808B5GACAUTO	0603 / 1608	0.8	±0.10 pF	50	COG	100
CBR06C908B5GACAUTO	0603 / 1608	0.9	±0.10 pF	50	COG	100
CBR06C109B5GACAUTO	0603 / 1608	1.0	±0.10 pF	50	COG	100
CBR06C129B5GACAUTO	0603 / 1608	1.2	±0.10 pF	50	COG	100
CBR06C159B5GACAUTO	0603 / 1608	1.5	±0.10 pF	50	COG	100
CBR06C189B5GACAUTO	0603 / 1608	1.8	±0.10 pF	50	COG	100
CBR06C209B5GACAUTO	0603 / 1608	2.0	±0.10 pF	50	COG	100
CBR06C229B5GACAUTO	0603 / 1608	2.2	±0.10 pF	50	COG	100
CBR06C279B5GACAUTO	0603 / 1608	2.7	±0.10 pF	50	COG	100
CBR06C309B5GACAUTO	0603 / 1608	3.0	±0.10 pF	50	COG	100
CBR06C339B5GACAUTO	0603 / 1608	3.3	±0.10 pF	50	COG	100
CBR06C399B5GACAUTO	0603 / 1608	3.9	±0.10 pF	50	COG	100
CBR06C409B5GACAUTO	0603 / 1608	4.0	±0.10 pF	50	COG	100
CBR06C479B5GACAUTO	0603 / 1608	4.7	±0.10 pF	50	COG	100
CBR06C509C5GACAUTO	0603 / 1608	5.0	±0.25 pF	50	COG	100
CBR06C569C5GACAUTO	0603 / 1608	5.6	±0.25 pF	50	COG	100
CBR06C609C5GACAUTO	0603 / 1608	6.0	±0.25 pF	50	COG	100
CBR06C689C5GACAUTO	0603 / 1608	6.8	±0.25 pF	50	COG	100
CBR06C709C5GACAUTO	0603 / 1608	7.0	±0.25 pF	50	COG	100
CBR06C759C5GACAUTO	0603 / 1608	7.5	±0.25 pF	50	COG	100
CBR06C809C5GACAUTO	0603 / 1608	8.0	±0.25 pF	50	COG	100
CBR06C829C5GACAUTO	0603 / 1608	8.2	±0.25 pF	50	COG	100
CBR06C909C5GACAUTO	0603 / 1608	9.0	±0.25 pF	50	COG	100
CBR06C100J5GACAUTO	0603 / 1608	10.0	±5%	50	COG	100
KEMET Part Number	Case Size	Capacitance	Cap Tolerance	Rated Voltage	Dielectric	Quantity

Built Into Tomorrow

Sample Kit Contents cont.

KEMET Part Number	Case Size	Capacitance	Cap Tolerance	Rated Voltage	Dielectric	Quantity
	EIA/Metric	(pF)		(V)		
CBR06C120J5GACAUTO	0603 / 1608	12.0	±5%	50	COG	100
CBR06C150J5GACAUTO	0603 / 1608	15.0	±5%	50	COG	100
CBR06C180J5GACAUTO	0603 / 1608	18.0	±5%	50	COG	100
CBR06C220J5GACAUTO	0603 / 1608	22.0	±5%	50	COG	100
CBR06C270J5GACAUTO	0603 / 1608	27.0	±5%	50	COG	100
CBR06C330J5GACAUTO	0603 / 1608	33.0	±5%	50	COG	100
CBR06C390J5GACAUTO	0603 / 1608	39.0	±5%	50	COG	100
CBR06C470J5GACAUTO	0603 / 1608	47.0	±5%	50	COG	100
CBR06C560J5GACAUTO	0603 / 1608	56.0	±5%	50	COG	100
CBR06C680J5GACAUTO	0603 / 1608	68.0	±5%	50	COG	100
CBR06C820J5GACAUTO	0603 / 1608	82.0	±5%	50	COG	100
CBR06C101J5GACAUTO	0603 / 1608	100.0	±5%	50	COG	100
KEMET Part Number	Case Size	Capacitance	Cap Tolerance	Rated Voltage	Dielectric	Quantity

Dimensions – Millimeters (Inches)



EIA Size Code	Metric Size Code	L Length	W Width	T Thickness	B Bandwidth	Mounting Technique
0603	1608	1.60 ±0.10 (0.063 ±0.004)	0.80 ±0.10 (0.031 ±0.004)	0.80 ±0.1 (0.031 ±0.004)	0.40 ±0.20 (0.016 ±0.008)	Solder Wave or Solder Reflow