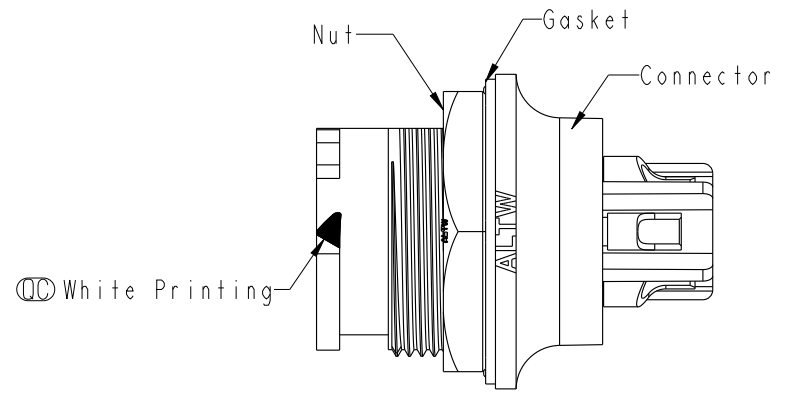
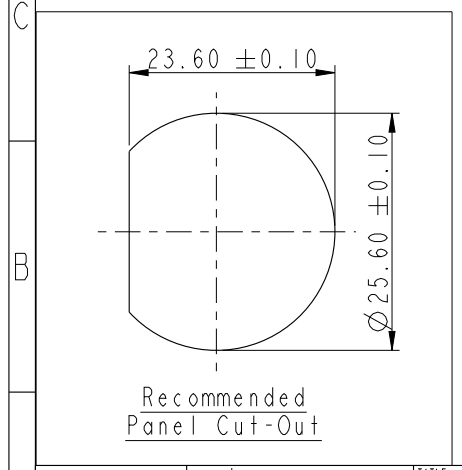
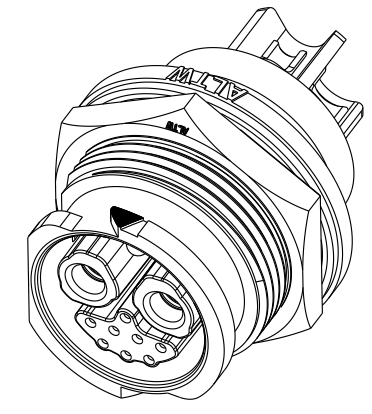
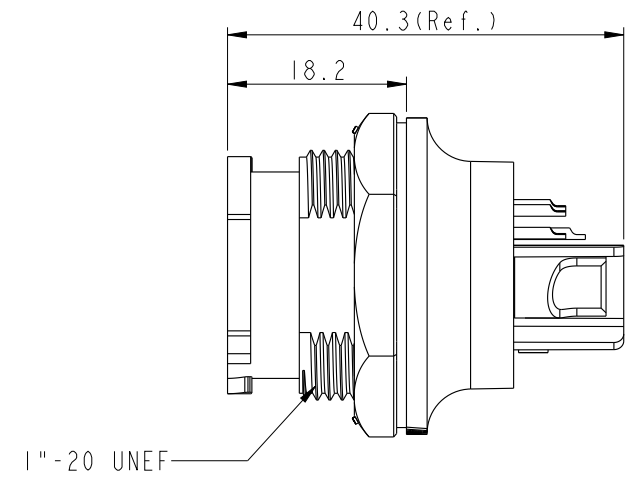
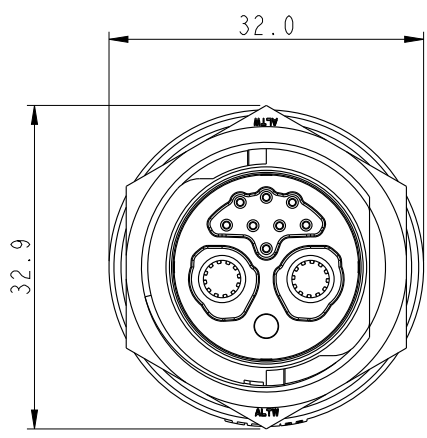

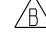


THIS DOCUMENT IS SUBJECT TO CHANGE WITHOUT NOTICE. IT IS CONFIDENTIAL AND A PROPERTY OF Amphenol LTW. DISCLOSURE TO THIRD PARTY HAS TO BE AUTHORIZED BY Amphenol LTW.

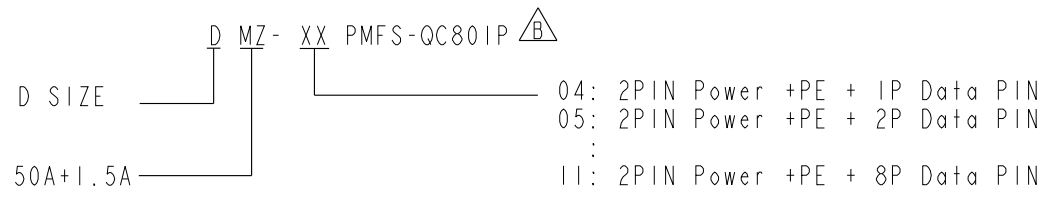
| REV. | ECN NO. | DATE | SIGN | DESCRIPTION |
|------|---------|------------|--------|--|
| A | - | 2023/02/15 | Ouyang | Initial Release |
| B | C230219 | 2023/02/20 | Ouyang |  x2 |



- Note:
- * RoHS Compliant
 - *  Important Dimension
 - * Waterproof Rate: IP68, Unmated 1m/24h 
 - * Connector
 - Housing: Thermoplastic, Black
 - Power Pin: Copper Alloy, Silver Plated
 - Data Pin: Copper Alloy, Gold Plated
 - Gasket : Rubber, Gray
 - * Nut: Thermoplastic, Black
 - * For Panel Thickness Max 4.5mm
 - * Use with waterproof cap or dust cap
 - Panel thickness Max: 3.0mm
 - * Gasket and nut are packed separately in PE bag

| | | | | | | | |
|---------------------------------|---|---------------|---|------------------|---------------------|-----------------------------|---------------------|
| UNIT: mm TOLERANCE ±0.5mm | TITLE X-LOK D SIZE 3+8 PANEL CONNECTOR | | Amphenol LTW 安費諾亮泰企業股份有限公司 | | ITEM NO | DRAWN BY Ouyang | DATE 2023/02/15 |
| | SCALE 1:1 | SIZE A4 | | | SHEET 1 OF 2 | DWG NO DMZ-XXPMFS-QC801P | CHECKED BY Jerry |
| | REV. B | WC-REV. .0 |  : Inspection item | CUSTOMER ALTW | APPROVED BY Fred | DATE 2023/02/15 | |

THIS DOCUMENT IS SUBJECT TO CHANGE WITHOUT NOTICE. IT IS CONFIDENTIAL AND A PROPERTY OF AMPHENOL LTW. DISCLOSURE TO THIRD PARTY HAS TO BE AUTHORIZED BY AMPHENOL LTW.



PIN Assigments Fornt view

| 2P Power+PE+1P Data | 2P Power+PE+2P Data | 2P Power+PE+3P Data | 2P Power+PE+4P Data | 2P Power+PE+5P Data | 2P Power+PE+6P Data |
|---------------------|---------------------|---------------------|---------------------|---------------------|---------------------|
| | | | | | |
| 2P Power+PE+7P Data | 2P Power+PE+8P Data | | | | |
| | | | | | |

UNIT: mm

TOLERANCE ±0.5mm

TITLE X-LOK D SIZE 3+8 PANEL CONNECTOR

SCALE 1:1 SIZE A4 SHEET 2 OF 2

REV. B WC-REV. .0 Inspection item

Amphenol LTW
安費諾亮泰企業股份有限公司

| | | |
|--------------------------|------------------|-----------------|
| ITEM NO | DRAWN BY Ouyang | DATE 2023/02/06 |
| DWG NO DMZ-XXPMFS-QC801P | CHECKED BY Jerry | DATE 2023/02/06 |
| CUSTOMER ALTW | APPROVED BY Fred | DATE 2023/02/06 |