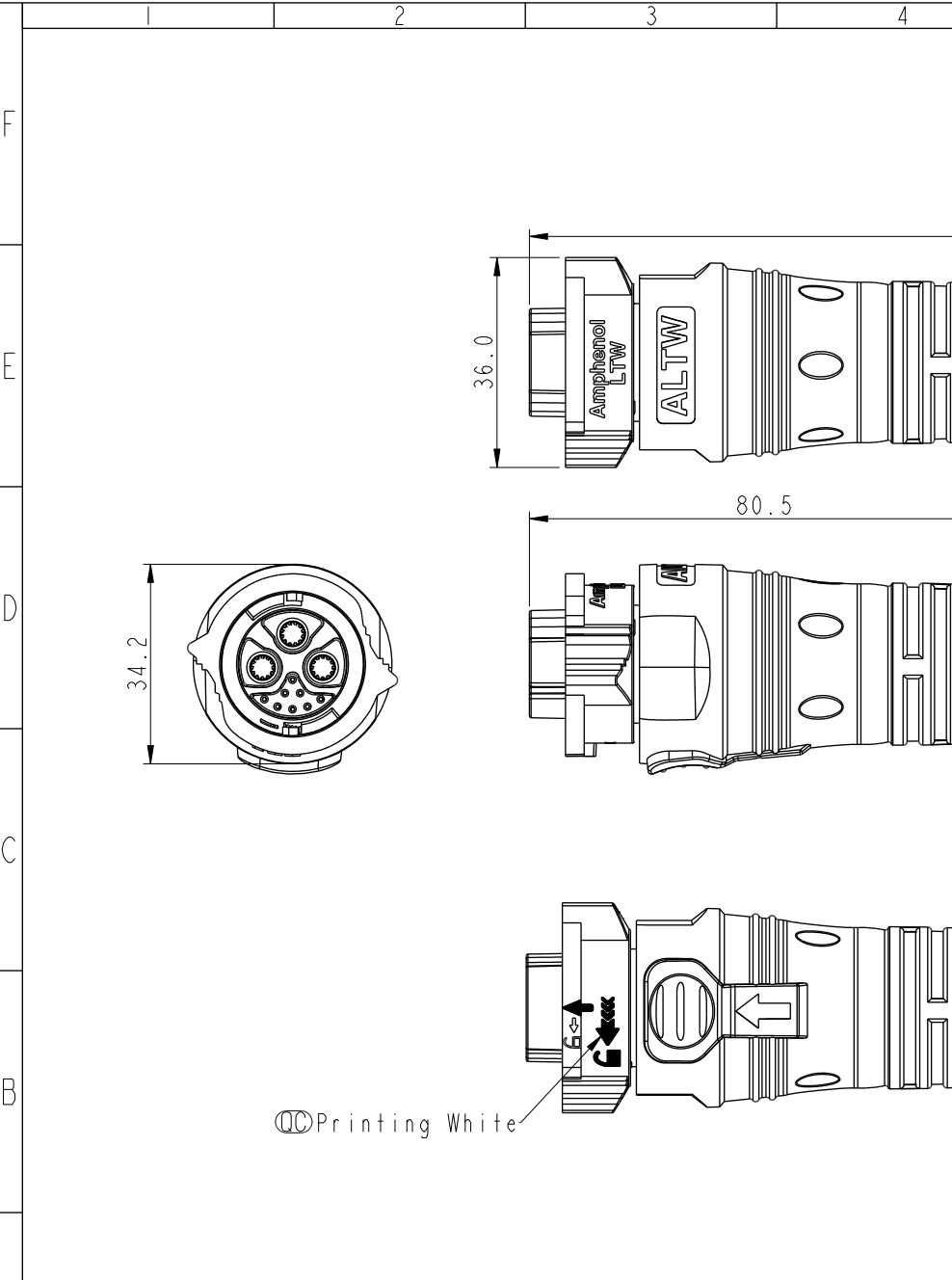


THIS DOCUMENT IS SUBJECT TO CHANGE WITHOUT NOTICE. IT IS CONFIDENTIAL AND A PROPERTY OF Amphenol LTW. DISCLOSURE TO THIRD PARTY HAS TO BE AUTHORIZED BY Amphenol LTW.

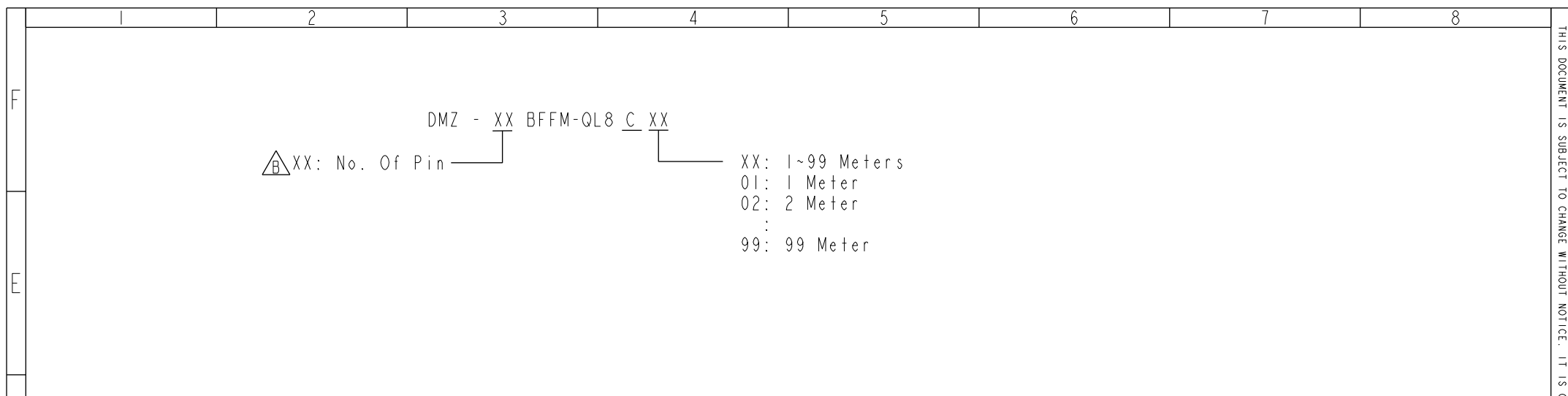
REV.	ECN NO.	DATE	SIGN	DESCRIPTION
B	C230251	2023/03/01	Vicky	$\triangle B$ X5



Note:

- * RoHS Compliant
- * CC Important Dimension
- * $\triangle B$ Waterproof Rate: IP68, Mated 1m/24h
- * Connector
 - Housing: Thermoplastic, Black
 - Power Pin: Copper Alloy, Silver Plated
 - Data Pin: Copper Alloy, Gold Plated
 - O-Ring: Rubber, Gray
 - Nut: Thermoplastic, Black
 - Outer Mold: Thermoplastic, Black
- * Cable: UL2517, PVC Jacket, Black
- * Cable Length Tolerance:
 - 1M < L ≤ 3M: +100/-0 mm
 - 3M < L ≤ 5M: +150/-0 mm
 - 5M < L ≤ 10M: ±100 mm
 - 10M < L ≤ 20M: ±200 mm
 - 20M < L ≤ 30M: ±300 mm
 - 30M < L ≤ 99M: ±500 mm

UNIT: mm TOLERANCE ±0.5mm		TITLE XLOK, D-50A+1.5A, CABLE W/O SR F, F, MOLDING, PUSH LOCK $\triangle B$	<h1>Amphenol LTW</h1> <p>安費諾亮泰企業股份有限公司</p>	ITEM NO	DRAWN BY Ouyang	DATE 2022-05-09		
		SCALE 1:1		SIZE A4	SHEET 1 OF 2	DWG NO DMZ-XXBFFM-QL8CXX	CHECKED BY Jerry	DATE 2022-05-09
		REV. B		WC-REV. .0	CC : Inspection item	CUSTOMER ALTW	APPROVED BY Fred	DATE 2022-05-09



Pin Assignments Front View

3P Power+1P Data	3P Power+2P Data	3P Power+3P Data	3P Power+4P Data	3P Power+5P Data	3P Power+6P Data	3P Power+7P Data	3P Power+8P Data																																																																																																																																																											
<table border="1" style="width: 100%; border-collapse: collapse;"> <tr> <th>Pin #</th> <th>Wire</th> <th>Pin #</th> <th>Wire</th> </tr> <tr> <td>A</td> <td>Black</td> <td>1</td> <td>Red</td> </tr> <tr> <td>B</td> <td>White</td> <td></td> <td></td> </tr> <tr> <td>C</td> <td>Green</td> <td></td> <td></td> </tr> </table>	Pin #	Wire	Pin #	Wire	A	Black	1	Red	B	White			C	Green			<table border="1" style="width: 100%; border-collapse: collapse;"> <tr> <th>Pin #</th> <th>Wire</th> <th>Pin #</th> <th>Wire</th> </tr> <tr> <td>A</td> <td>Black</td> <td>2</td> <td>Red</td> </tr> <tr> <td>B</td> <td>White</td> <td>3</td> <td>Black</td> </tr> <tr> <td>C</td> <td>Green</td> <td></td> <td></td> </tr> </table>	Pin #	Wire	Pin #	Wire	A	Black	2	Red	B	White	3	Black	C	Green			<table border="1" style="width: 100%; border-collapse: collapse;"> <tr> <th>Pin #</th> <th>Wire</th> <th>Pin #</th> <th>Wire</th> </tr> <tr> <td>A</td> <td>Black</td> <td>1</td> <td>Red</td> </tr> <tr> <td>B</td> <td>White</td> <td>2</td> <td>Black</td> </tr> <tr> <td>C</td> <td>Green</td> <td>3</td> <td>Green</td> </tr> </table>	Pin #	Wire	Pin #	Wire	A	Black	1	Red	B	White	2	Black	C	Green	3	Green	<table border="1" style="width: 100%; border-collapse: collapse;"> <tr> <th>Pin #</th> <th>Wire</th> <th>Pin #</th> <th>Wire</th> </tr> <tr> <td>A</td> <td>Black</td> <td>4</td> <td>Red</td> </tr> <tr> <td>B</td> <td>White</td> <td>5</td> <td>Black</td> </tr> <tr> <td>C</td> <td>Green</td> <td>7</td> <td>Green</td> </tr> <tr> <td></td> <td></td> <td>8</td> <td>Brown</td> </tr> </table>	Pin #	Wire	Pin #	Wire	A	Black	4	Red	B	White	5	Black	C	Green	7	Green			8	Brown	<table border="1" style="width: 100%; border-collapse: collapse;"> <tr> <th>Pin #</th> <th>Wire</th> <th>Pin #</th> <th>Wire</th> </tr> <tr> <td>A</td> <td>Black</td> <td>1</td> <td>Red</td> </tr> <tr> <td>B</td> <td>White</td> <td>4</td> <td>Black</td> </tr> <tr> <td>C</td> <td>Green</td> <td>5</td> <td>Green</td> </tr> <tr> <td></td> <td></td> <td>7</td> <td>Brown</td> </tr> <tr> <td></td> <td></td> <td>8</td> <td>White</td> </tr> </table>	Pin #	Wire	Pin #	Wire	A	Black	1	Red	B	White	4	Black	C	Green	5	Green			7	Brown			8	White	<table border="1" style="width: 100%; border-collapse: collapse;"> <tr> <th>Pin #</th> <th>Wire</th> <th>Pin #</th> <th>Wire</th> </tr> <tr> <td>A</td> <td>Black</td> <td>2</td> <td>Red</td> </tr> <tr> <td>B</td> <td>White</td> <td>3</td> <td>Black</td> </tr> <tr> <td>C</td> <td>Green</td> <td>4</td> <td>Green</td> </tr> <tr> <td></td> <td></td> <td>5</td> <td>Brown</td> </tr> <tr> <td></td> <td></td> <td>7</td> <td>White</td> </tr> <tr> <td></td> <td></td> <td>8</td> <td>Orange</td> </tr> </table>	Pin #	Wire	Pin #	Wire	A	Black	2	Red	B	White	3	Black	C	Green	4	Green			5	Brown			7	White			8	Orange	<table border="1" style="width: 100%; border-collapse: collapse;"> <tr> <th>Pin #</th> <th>Wire</th> <th>Pin #</th> <th>Wire</th> </tr> <tr> <td>A</td> <td>Black</td> <td>1</td> <td>Red</td> </tr> <tr> <td>B</td> <td>White</td> <td>2</td> <td>Black</td> </tr> <tr> <td>C</td> <td>Green</td> <td>3</td> <td>Green</td> </tr> <tr> <td></td> <td></td> <td>4</td> <td>Brown</td> </tr> <tr> <td></td> <td></td> <td>5</td> <td>White</td> </tr> <tr> <td></td> <td></td> <td>6</td> <td>White</td> </tr> <tr> <td></td> <td></td> <td>7</td> <td>Orange</td> </tr> <tr> <td></td> <td></td> <td>8</td> <td>Yellow</td> </tr> </table>	Pin #	Wire	Pin #	Wire	A	Black	1	Red	B	White	2	Black	C	Green	3	Green			4	Brown			5	White			6	White			7	Orange			8	Yellow
Pin #	Wire	Pin #	Wire																																																																																																																																																															
A	Black	1	Red																																																																																																																																																															
B	White																																																																																																																																																																	
C	Green																																																																																																																																																																	
Pin #	Wire	Pin #	Wire																																																																																																																																																															
A	Black	2	Red																																																																																																																																																															
B	White	3	Black																																																																																																																																																															
C	Green																																																																																																																																																																	
Pin #	Wire	Pin #	Wire																																																																																																																																																															
A	Black	1	Red																																																																																																																																																															
B	White	2	Black																																																																																																																																																															
C	Green	3	Green																																																																																																																																																															
Pin #	Wire	Pin #	Wire																																																																																																																																																															
A	Black	4	Red																																																																																																																																																															
B	White	5	Black																																																																																																																																																															
C	Green	7	Green																																																																																																																																																															
		8	Brown																																																																																																																																																															
Pin #	Wire	Pin #	Wire																																																																																																																																																															
A	Black	1	Red																																																																																																																																																															
B	White	4	Black																																																																																																																																																															
C	Green	5	Green																																																																																																																																																															
		7	Brown																																																																																																																																																															
		8	White																																																																																																																																																															
Pin #	Wire	Pin #	Wire																																																																																																																																																															
A	Black	2	Red																																																																																																																																																															
B	White	3	Black																																																																																																																																																															
C	Green	4	Green																																																																																																																																																															
		5	Brown																																																																																																																																																															
		7	White																																																																																																																																																															
		8	Orange																																																																																																																																																															
Pin #	Wire	Pin #	Wire																																																																																																																																																															
A	Black	1	Red																																																																																																																																																															
B	White	2	Black																																																																																																																																																															
C	Green	3	Green																																																																																																																																																															
		4	Brown																																																																																																																																																															
		5	White																																																																																																																																																															
		6	White																																																																																																																																																															
		7	Orange																																																																																																																																																															
		8	Yellow																																																																																																																																																															

UNIT: mm		TITLE XLOK, D-50A+1.5A, CABLE W/O SR F, F, MOLDING, PUSH LOCK	Amphenol LTW 安費諾亮泰企業股份有限公司	ITEM NO	DRAWN BY Ouyang	DATE 2022-05-09
TOLERANCE ±0.5mm		SCALE 1:1	SIZE A4	DWG NO DMZ-XXBFFM-QL8CXX	CHECKED BY Jerry	DATE 2022-05-09
		REV. B	WC-REV. .0	CUSTOMER ALTW	APPROVED BY Fred	DATE 2022-05-09
			◎◎: Inspection item			