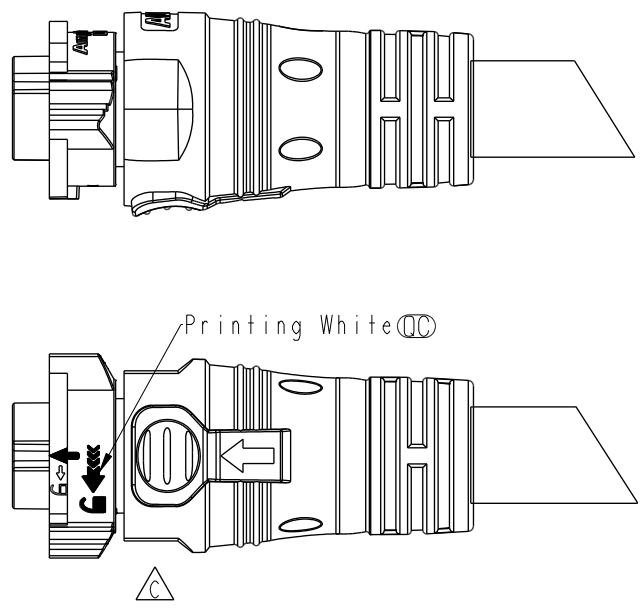
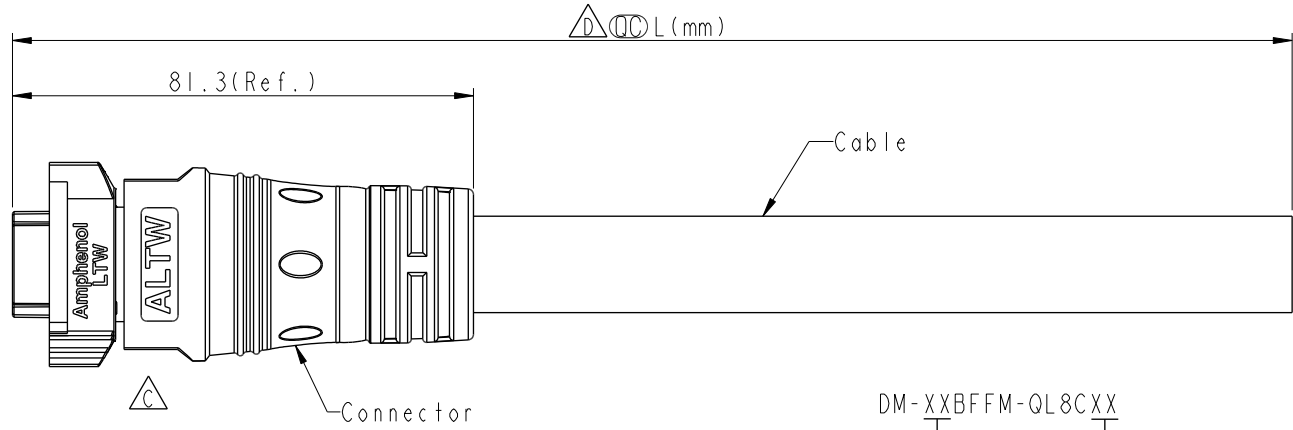
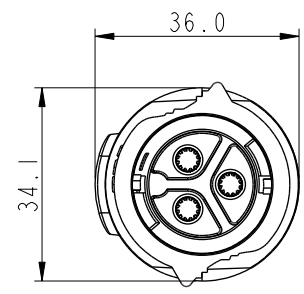


THIS DOCUMENT IS SUBJECT TO CHANGE WITHOUT NOTICE. IT IS CONFIDENTIAL AND A PROPERTY OF Amphenol LTW. DISCLOSURE TO THIRD PARTY HAS TO BE AUTHORIZED BY Amphenol LTW.

REV.	ECN NO.	DATE	SIGN	DESCRIPTION
B	C221647	2022/10/20	Ouyang	$\triangle B$ X2
C	C221941	2022/12/12	Ouyang	$\triangle C$ X3
D	C230251	2023/03/01	Vicky	$\triangle D$ X5

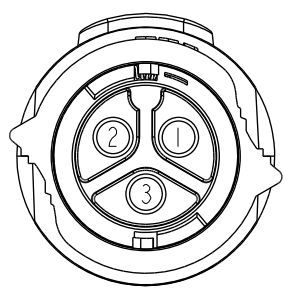


DM-XXBFFM-QL8CXX

$\triangle D$ XX: No. Of Pin

XX: 1~99 Meters
 01: 1 Meter
 02: 2 Meter
 :
 99: 99 Meter

Pin #	Wire	Color
3	Green	綠
2	White	白
1	Black	黑



Note:

- * RoHS Compliant
- * \odot Important Dimension
- * \triangle Waterproof Rate: IP68, Mated 1m/24h
- * Connector
 - Housing: Thermoplastic, Black
 - Pin: Copper Alloy, Silver Plated $\triangle C$
 - $\triangle D$ O-Ring: Rubber, Gray $\triangle B$
 - Nut: Thermoplastic, Black
 - Outer Mold: Thermoplastic, Black
- * Cable: UL2517, 8#*3C, OD=17.6mm, PVC Jacket, Black
- * Cable Length Tolerance: 1M: +50/-0 mm
 - 1M < L ≤ 3M: +100/-0 mm
 - 3M < L ≤ 5M: +150/-0 mm
 - 5M < L ≤ 10M: ±100 mm
 - 10M < L ≤ 20M: ±200 mm
 - 20M < L ≤ 30M: ±300 mm
 - 30M < L ≤ 99M: ±500 mm

Pin Assignments
Fronts View

UNIT:mm	
TOLERANCE	±0.5mm

TITLE XLOK, D-50A, CABLE W/O SR F, F, MOLDING, PUSH LOCK $\triangle D$			
SCALE 1:1	SIZE A4	SHEET 1 OF 1	
REV. D	WC-REV. .0	\odot : Inspection item	

Amphenol LTW
安費諾亮泰企業股份有限公司

ITEM NO	DRAWN BY Ouyang	DATE 2022-05-09
DWG NO $\triangle B$ DM-XXBFFM-QL8CXX	CHECKED BY Jerry	DATE 2022-05-09
CUSTOMER ALTW	APPROVED BY Fred	DATE 2022-05-09